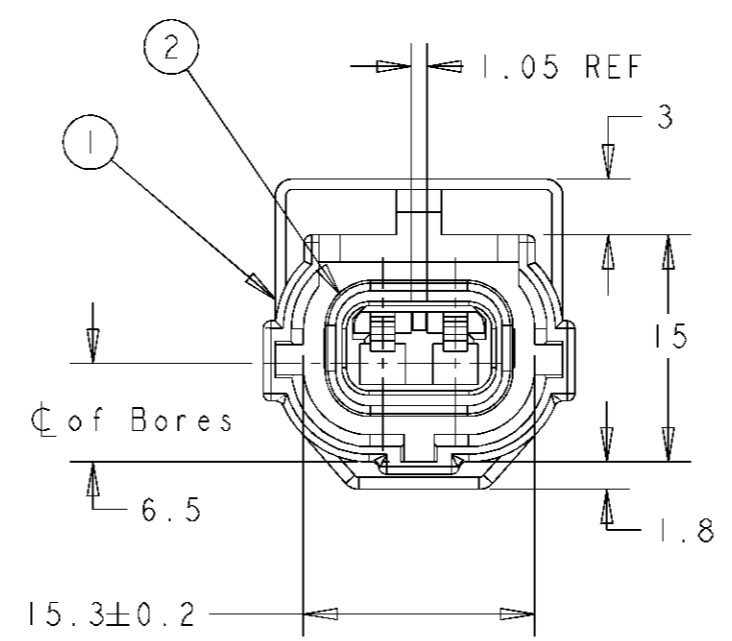
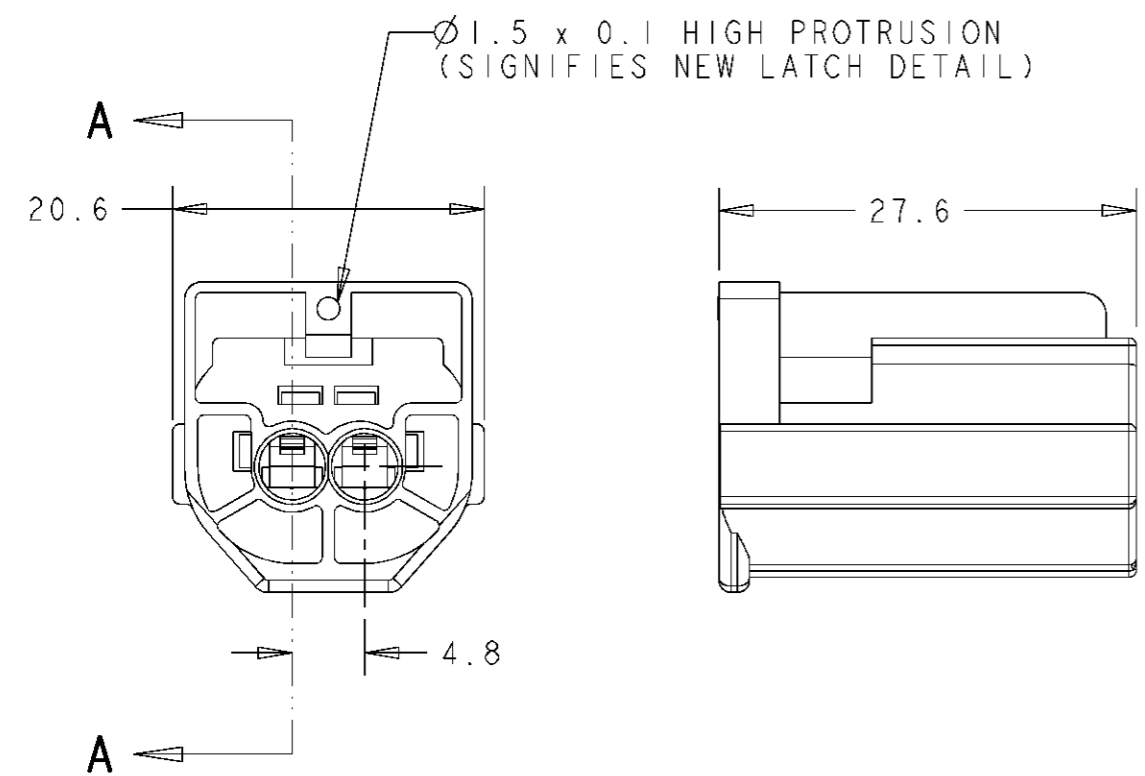
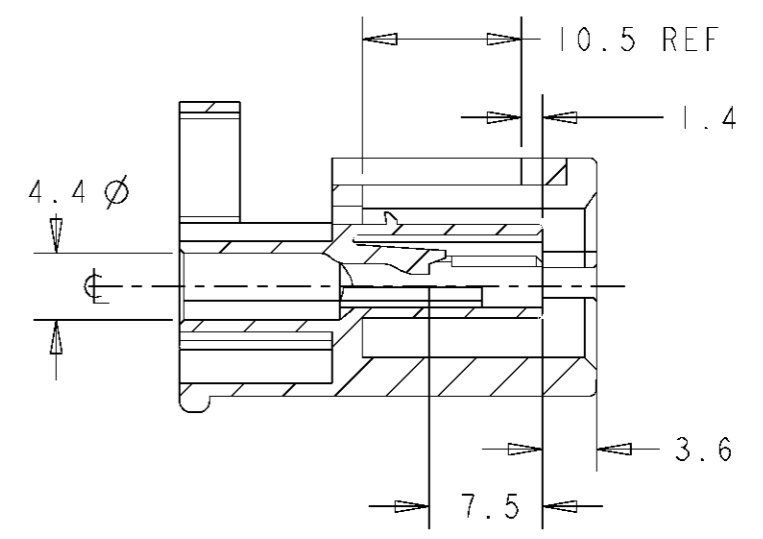


THIS DRAWING IS UNPUBLISHED. RELEASED FOR PUBLICATION
 © COPYRIGHT BY - ALL RIGHTS RESERVED.

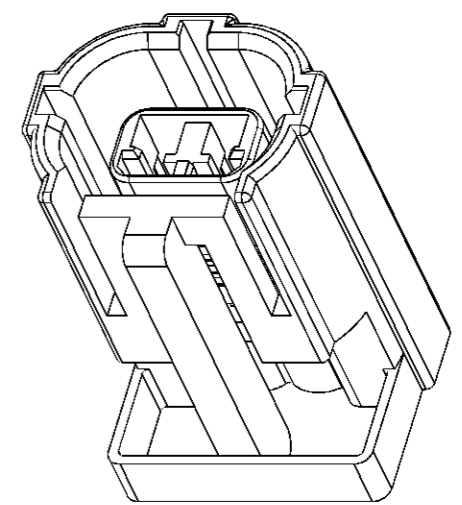
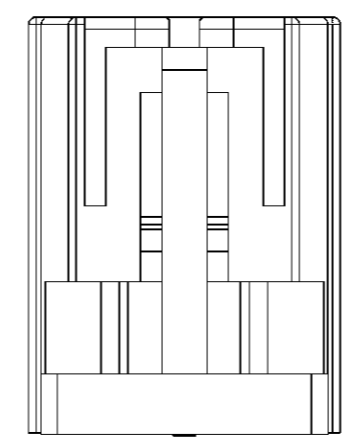
LOC	DIST	REVISIONS					
E	B	P	LTR	DESCRIPTION	DATE	DWN	APVD
		L5	ECR-15-009767		29JUN2015	SK	BB



SECTION **A-A**
 SEAL REMOVED FOR CLARITY



CONTROL DIMENSION



SCALE 2:1

2	BLACK	NITRILE	2822349-1	PERIPHERAL SEAL	1	1-344276-4 (WHITE)
1	WHITE	NYLON 66	344275-4	2 WAY REC HSG	1	
2	BLACK	NITRILE	2822349-1	PERIPHERAL SEAL	1	1-344276-3 (BLUE)
1	BLUE	NYLON 66	344275-3	2 WAY REC HSG	1	
2	BLACK	NITRILE	2822349-1	PERIPHERAL SEAL	1	1-344276-2 (RED)
1	RED	NYLON 66	344275-2	2 WAY REC HSG	1	
2	BLACK	NITRILE	2822349-1	PERIPHERAL SEAL	1	1-344276-1 (BLACK)
1	BLACK	NYLON 66	344275-1	2 WAY REC HSG	1	
2	ORANGE	SILICONE	347702-1	PERIPHERAL SEAL	1	344276-4 (WHITE)
1	WHITE	NYLON 66	344275-4	2 WAY REC HSG	1	
2	ORANGE	SILICONE	347702-1	PERIPHERAL SEAL	1	344276-3 (BLUE)
1	BLUE	NYLON 66	344275-3	2 WAY REC HSG	1	
2	ORANGE	SILICONE	347702-1	PERIPHERAL SEAL	1	344276-2 (RED)
1	RED	NYLON 66	344275-2	2 WAY REC HSG	1	
2	ORANGE	SILICONE	347702-1	PERIPHERAL SEAL	1	344276-1 (BLACK)
1	BLACK	NYLON 66	344275-1	2 WAY REC HSG	1	
ITEM	COLOUR	MATERIAL	PART NO	DESCRIPTION	Qty	ASSY PT NO

DIMENSIONS:	TOLERANCES UNLESS OTHERWISE SPECIFIED:
mm	0 PLC ±-
	1 PLC ±0.5
	2 PLC ±0.5
	3 PLC ±0.5
	4 PLC ±-
	ANGLES ±2
MATERIAL	FINISH
SEE TABLE	-

DWN M. GREENER 28JUL2003	TE Connectivity NAME 2 WAY RECEPTACLE HOUSING ECONOSEAL 3 LOW CURRENT	SIZE A3	CAGE CODE 00779	DRAWING NO C=344276	RESTRICTED TO -
CHK M. HARRIS 28JUL2003		APVD B. BAKER 28JUL2003	PRODUCT SPEC -	APPLICATION SPEC -	WEIGHT -
CUSTOMER DRAWING		SCALE 2:1	SHEET 1 OF 1	REV L5	