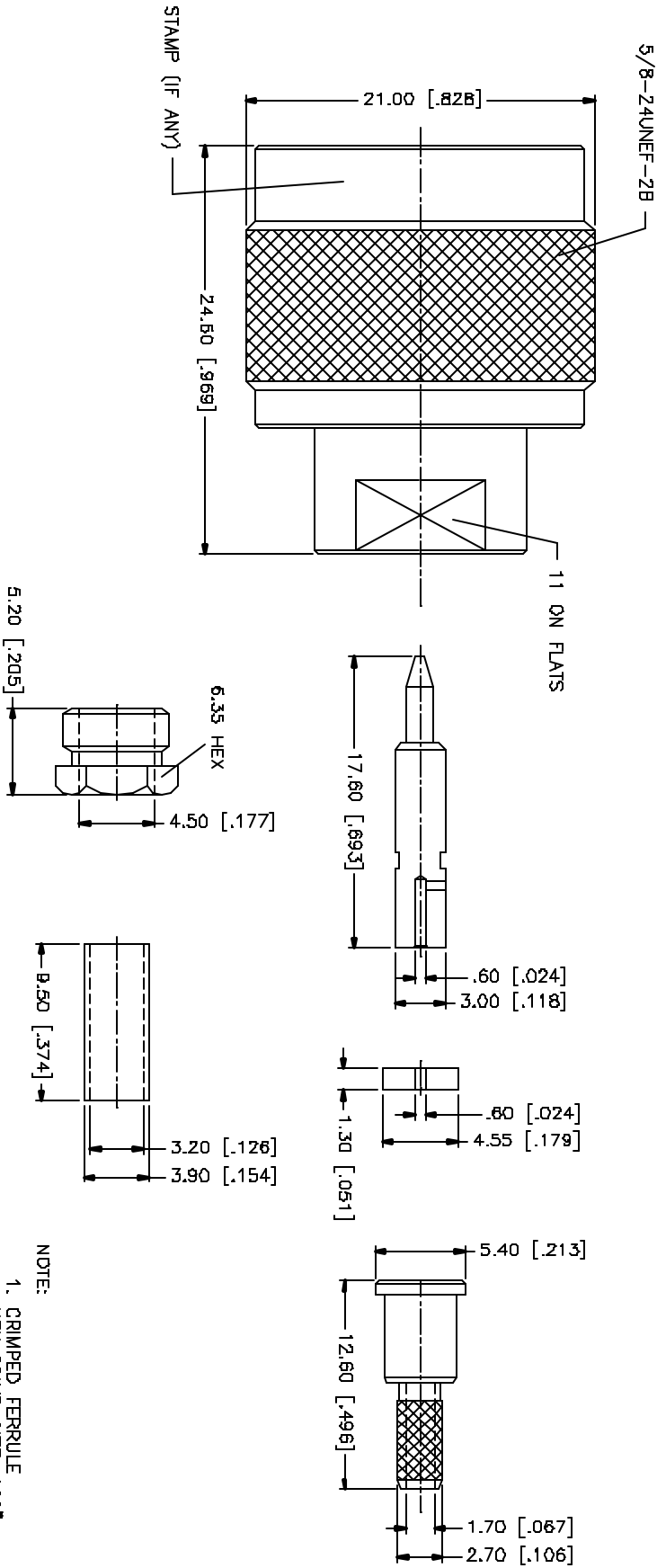
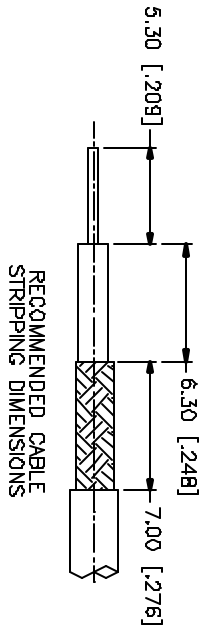


REV.	DATE	DESCRIPTION
NC	05/10/04	INITIAL RELEASE



- NOTE:
1. CRIMPED FERRULE  
HEX CRIMP SIZE .128"
  2. CRIMPED CONTACT PIN  
HEX CRIMP SIZE .100"

QTY	FINISH	MATERIAL	DESCRIPTION
1	NEXCOTE	BRASS	INSULATOR
2	NATURAL	TEFLON	SHELL/BODY
1	NEXCOTE	BRASS	SHELL/BODY
1	NEXCOTE	BRASS	CONTACT PIN
1	NEXCOTE	BRASS	BARREL
1	NEXCOTE	BRASS	HEX NUT
1	NEXCOTE	COPPER	FERRULE

APPROVALS	DATE
DRAWN G.R.S.	05/10/04
CHECKED	
ISSUED	
SHEET 1 OF 1	

APPENDIX	DESCRIPTION
1	N CRIMP PLUG (FOR RG-174/U, 188A/U, 316/U)

REV.	DATE	DESCRIPTION
NC	05/10/04	INITIAL RELEASE