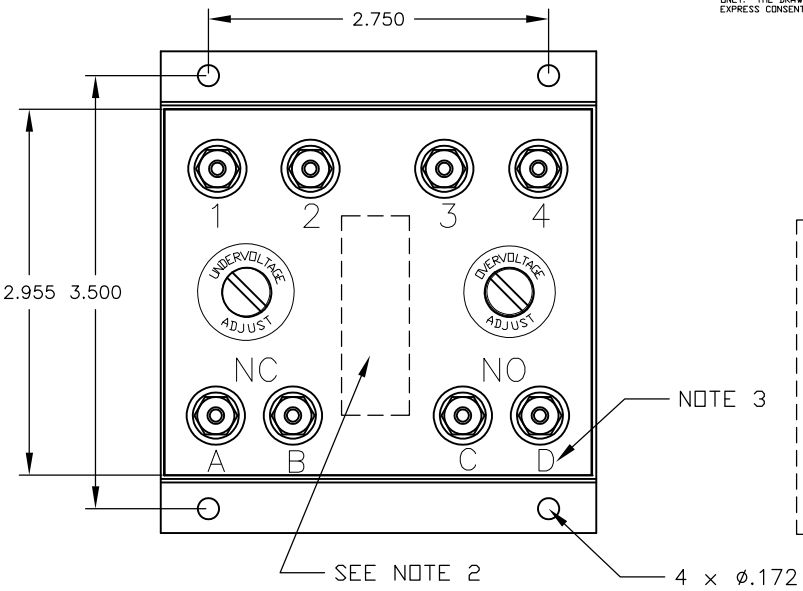
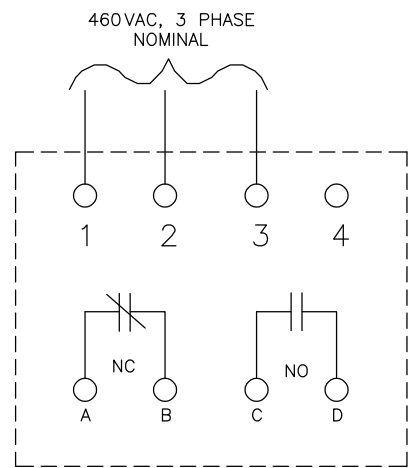


THIS DRAWING AND THE DESIGN IT DISCLOSES ARE THE PROPERTY OF KILDVAC CORP., AND IT IS ISSUED IN CONFIDENCE FOR ENGINEERING INFORMATION ONLY. THE DRAWING AND OR DESIGN MAY NOT BE REPRODUCED, DISCLOSED TO OUTSIDERS OR USED FOR ANY OTHER PURPOSE WITHOUT THE PRIOR EXPRESS CONSENT OF KILDVAC. THE DRAWING IS LOANED FOR MUTUAL ASSISTANCE AND IS SUBJECT TO RECALL AT ANY TIME.



CONNECTIONS



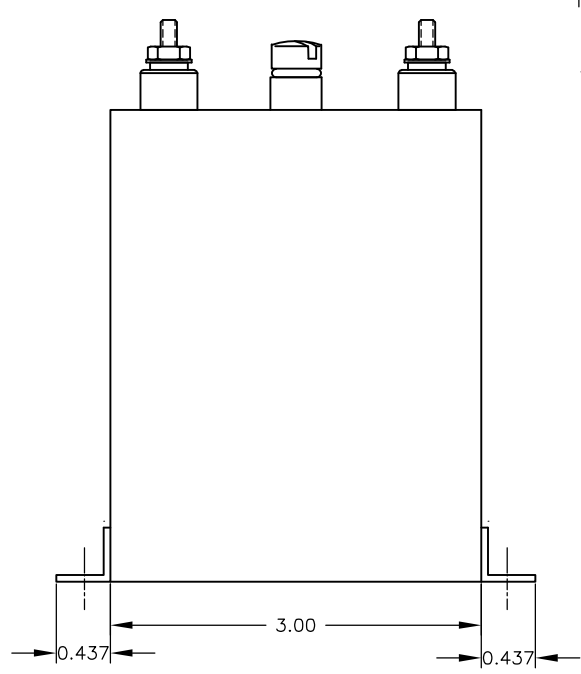
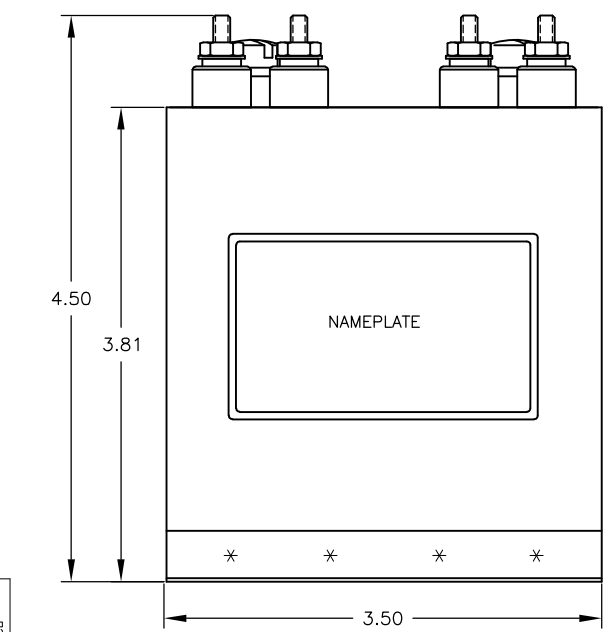
SPECIFICATIONS

- NOMINAL VOLTAGE : 460 VOLTS L-L, 3 PHASE
- NOMINAL FREQUENCY : 50-400Hz
- TRIP POINT RANGE : UNDERVOLTAGE: 345-460 VOLTS, SCREWDRIVER ADJUSTABLE.
- OVERVOLTAGE: 460-575 VOLTS, SCREWDRIVER ADJUSTABLE.
- PICK-UP TO DROP-OUT DIFFERENTIAL : 3% MAXIMUM.
- OPERATING TEMPERATURE : -40°C TO +85°C
- TEMPERATURE DRIFT : ±1% MAXIMUM VOLTAGE ERROR OVER THE TEMPERATURE RANGE.
- OUTPUT CONTACTS : ONE SET NORMALLY CLOSED. ONE SET NORMALLY OPEN.
- CONTACT RATING : 5 AMP. RESISTIVE AT 120VAC
5 AMP. RESISTIVE AT 28VDC
- OPERATION : THE NORMALLY CLOSED CONTACTS OPEN, AND THE N.O. CONTACTS CLOSE AT NOMINAL VOLTAGE. THE CONTACTS DE-ENERGIZE AT UNDERVOLTAGE AND OVERVOLTAGE.

10. CONSTRUCTION : SOLID STATE SENSOR WITH RELAY OUTPUT ENCLOSED IN A SEALED STEEL CAN WITH PURE TIN PLATING PER MIL-T-10727 TYPE 1.

NOTES:

1. THE VOLTAGE TRIP POINTS ARE FACTORY SET AS FOLLOWS:
UNDERVOLTAGE : 440 ± 10 VOLTS.
OVERVOLTAGE : 500 ± 10 VOLTS.
2. "EMD P/N 9337151", DATE AND SERIAL NO. TO BE STAMPED IN THIS LOCATION.
3. STAMP LETTERS A, B, C, & D IN LOCATIONS SHOWN.
4. REMOVE SCREWS FOR ACCESS TO UNDERVOLTAGE AND OVERVOLTAGE TRIP ADJUSTMENTS.
CLOCKWISE ROTATION OF THE ADJUSTMENT POTENTIOMETERS WILL RAISE THE TRIP POINTS.
5. CONTACT RESISTANCE IS FACTORY TESTED NOT TO EXCEED 100mΩ AT 100mA AND 28VDC.
6. CONTACTS SHOWN IN THE CONNECTION DIAGRAM ARE SHOWN DE-ENERGIZED.



CD		CUSTOMER DRAWING	
DRAWING PER ASME/ANSI Y14.5 THIRD ANGLE PROJECTION		550 Linden Ave. Carpinteria, CA US 93013 Internet: www.te.com	
TITLE OVER/UNDERVOLTAGE RELAY			
ECD No.	REV.	KILDVAC. NO.	
REDRAW	A	SD	
SCALE 1:1		SCALE DRAWING	
SHEET 1 of 1		SHEET 1 of 1	

ALL DIMENSIONS ARE IN INCHES UNLESS OTHERWISE SPECIFIED. Block Tolerances are not applied if values are set to zero.			
FRACTIONS	DECIMALS	ANGLES	
±1/64	XX = ±03 XXX = ±01	± 1°	
1	005	005	
CAGE CODE	EDITED BY	LEFTV DATE	APRV DATE
18741	AV	DB-16-12	08-21-12