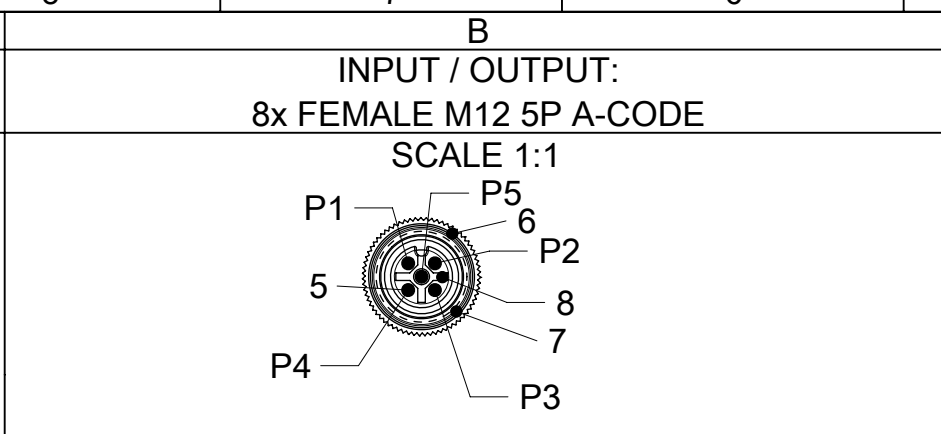
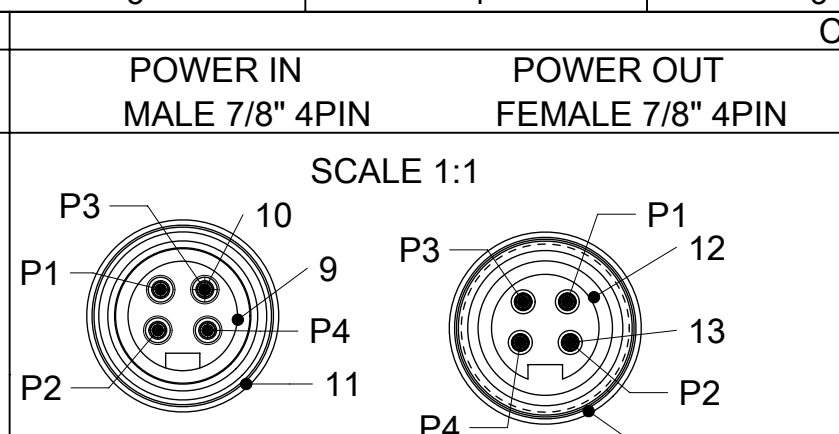


**WIRING INFORMATION**  
P1 TX+  
P2 RX+  
P3 TX-  
P4 RX-

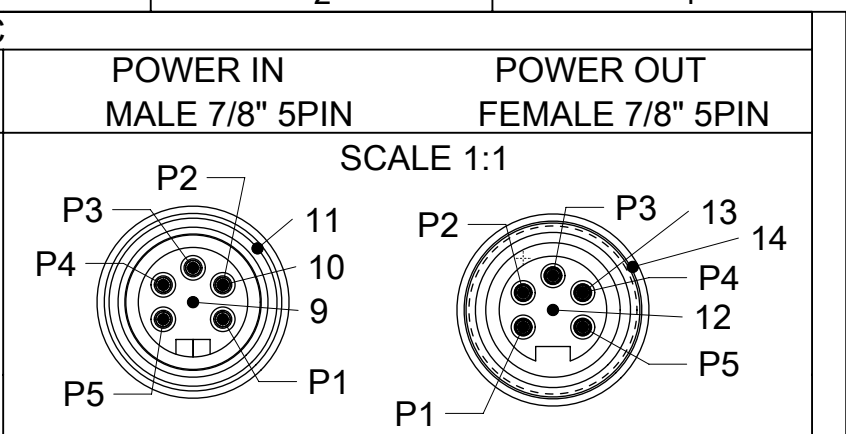


**WIRING INFORMATION INPUT**  
P1 - +24 VDC  
P2 - Input (even)  
P3 - 0 V (Ground)  
P4 - Input (odd)  
P5 - PE (Protected Earth)

**WIRING INFORMATION OUTPUT**  
P1 - N/C  
P2 - Output (even)  
P3 - 0 V (Ground)  
P4 - Output (odd)  
P5 - PE (Protected Earth)



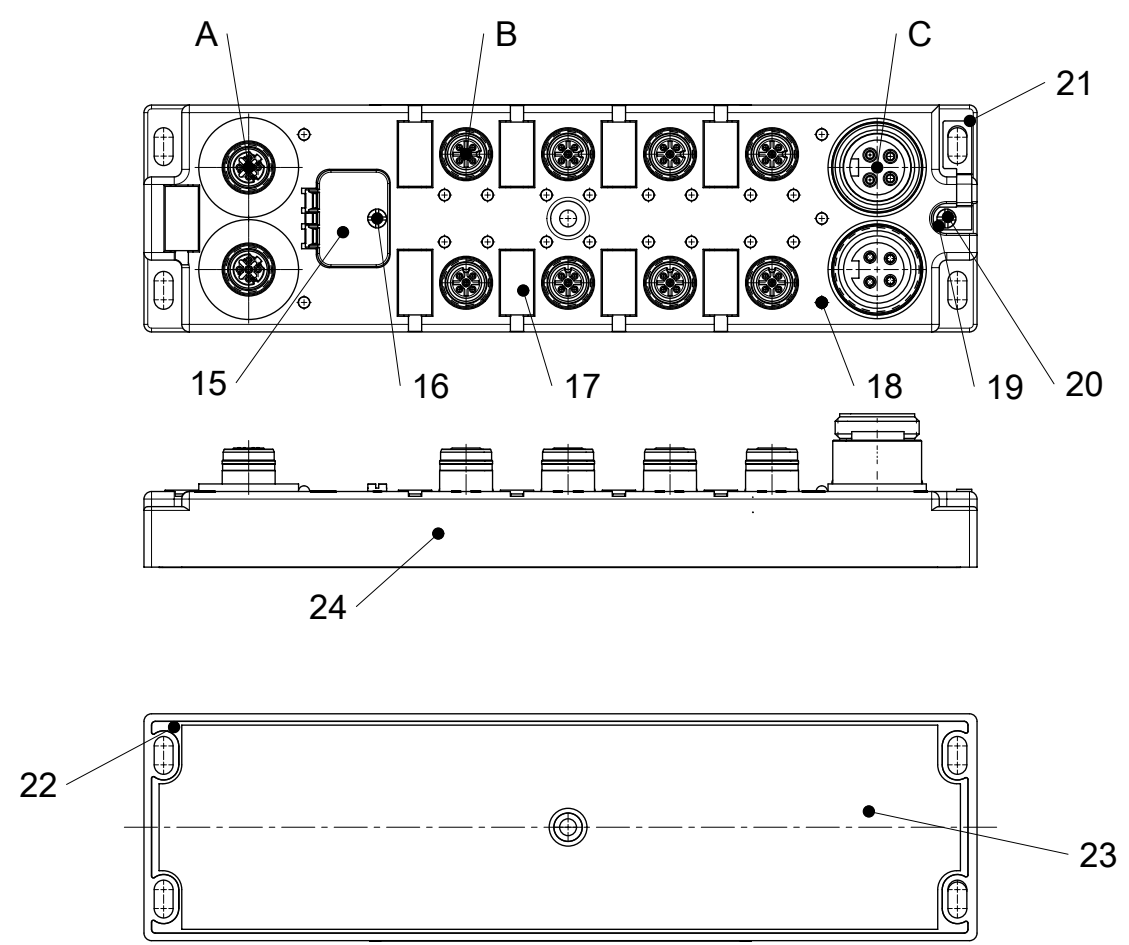
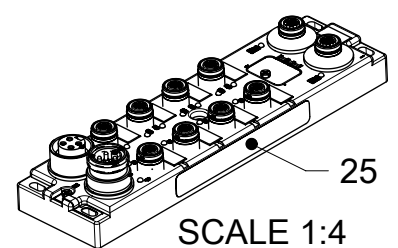
**WIRING INFORMATION**  
P1 - +24 VDC (Outputs Power)  
P2 - +24 VDC (Module & Inputs Power)  
P3 - 0 V (Module & Inputs Power)  
P4 - 0 V (Outputs Power)



**WIRING INFORMATION**  
P1 - 0 V (Outputs Power)  
P2 - 0 V (Module & Inputs Power)  
P3 - PE (Protected Earth)  
P4 - +24 VDC (Module and Inputs Power)  
P5 - +24 VDC (Outputs Power)

### BILL OF MATERIAL

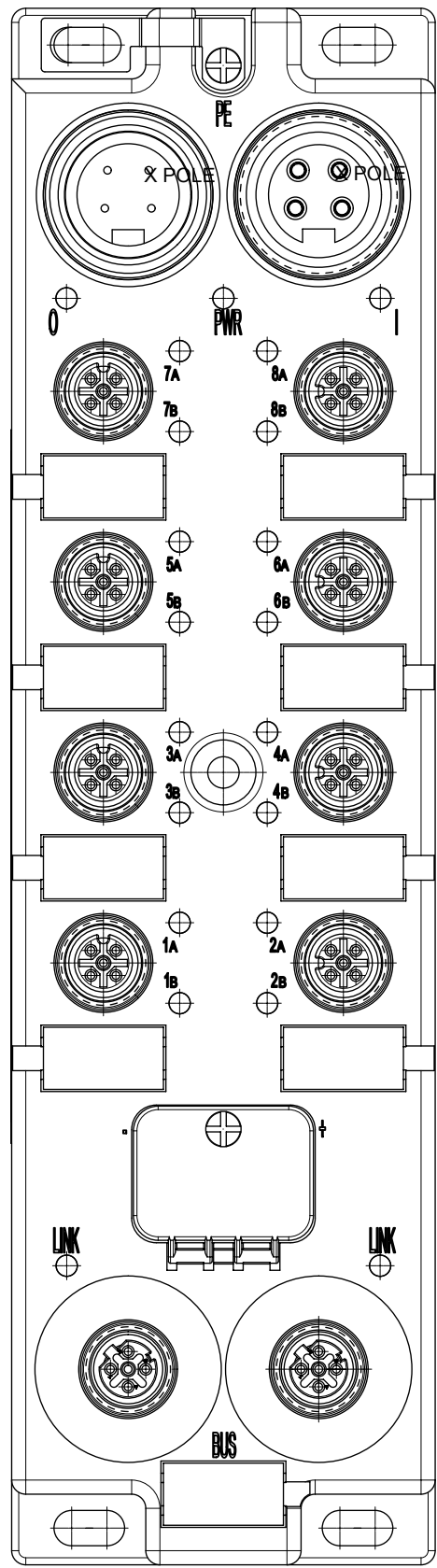
ITEM	DESCRIPTION	MATERIAL	FINISH
1	INSERT	TPU	BLACK
2	CONTACT	COPPER ALLOY	GOLD OVERNICKEL
3	SHELL	BRASS	NICKEL PLATET
4	GASKET	FPM	RED
5	CONTACT	COPPER ALLOY	GOLD OVER NICKEL
6	GASKET	FPM	RED
7	SHELL	BRASS	NICKEL PLATET
8	INSERT	TPU	BLACK
9	INSERT	TPE	YELLOW
10	CONTACT	COPPER ALLOY	GOLD OVERNICKEL
11	SHELL	BRASS	NICKEL PLATET
12	INSERT	TPE	YELLOW
13	CONTACT	COPPER ALLOY	GOLD OVER NICKEL
14	SHELL	BRASS	NICKEL PLATET
15	WINDOW	PC	TRANSPARENT
16	SCREW	V2A	-
17	LABEL	PC	WHITE
18	FIBER OPTIC	PA	TRANSPARENT
19	WASHER	BRASS	NICKEL PLATET
20	SCREW	V2A	-
21	SHIELD PLATE	STAINLESS STEEL	-
22	RESIN	EPOXY	TRANSPARENT
23	LABEL	PVC	WHITE
24	HOUSING	PBT	BLACK
25	LABEL	PVC	YELLOW



<b>SYMBOLS</b> DIMENSION UNITS: mm SCALE: 1:2 GENERAL TOLERANCES (UNLESS SPECIFIED): ANGULAR TOL: ± ° 4 PLACES: ± 3 PLACES: ± 2 PLACES: ± 1 PLACE: ± 0.3 0 PLACES: ± 0.5 DRAFT WHERE APPLICABLE MUST REMAIN WITHIN DIMENSIONS THIRD ANGLE PROJECTION	THIS DRAWING CONTAINS INFORMATION THAT IS PROPRIETARY TO MOLEX ELECTRONIC TECHNOLOGIES, LLC AND SHOULD NOT BE USED WITHOUT WRITTEN PERMISSION CURRENT REV DESC: ADD NEW P/N'S EC NO: 171585 DRWN: RSCHIEBER 2018/01/22 CHK'D: ULETTENMEIER 2018/02/01 APPR: RSILLER 2018/02/05 INITIAL REVISION: DRWN: ULETTENMEIER 2015/01/19 APPR: JALEXANDER 2015/06/25			
	DBO ETH 60 MM 7/8" 4P/5P AC MA FE U12 5P U12 4P 2PT DC FE		PRODUCT CUSTOMER DRAWING	
DOCUMENT NUMBER: 1120950007		DOC TYPE: PSD	DOC PART: 000	REVISION: B
MATERIAL NUMBER: SEE TABLE 1,2,3,4,5,6		CUSTOMER: GENERAL MARKET	SHEET NUMBER: 2 OF 8	

TABLE 1 UNIVERSAL PRINTING

POWER TYPE	INPUT / OUTPUT	MODBUS TCP		EtherNet/IP		PROFINET		3D MODEL NO.	
		ENG.NO.	MOLEX P/N	ENG.NO.	MOLEX P/N	ENG.NO.	MOLEX P/N		
7/8" 5 POLE	NPN	16I	TCDEM-8D0N-D1U	1120950007	TCDEI-8D0N-D1U	1120955003	TCDEP-8D0N-D1U	1120955029	1120950007 (PDM)
		14I / 2O	TCDEM-8C2N-D1U	1120950005	TCDEI-8C2N-D1U	1120955004	TCDEP-8C2N-D1U	1120955030	
		12I / 4O	TCDEM-8B4N-D1U	1120950003	TCDEI-8B4N-D1U	1120955005	TCDEP-8B4N-D1U	1120955031	
		8I / 8O	TCDEM-888N-D1U	1120950001	TCDEI-888N-D1U	1120955006	TCDEP-888N-D1U	1120955032	
	16 USER CONFIG.	TCDEM-8YYX-D1U	1120950009	TCDEI-8YYX-D1U	1120955011	TCDEP-8YYX-D1U	1120955037		
	USER CONFIG.			TCDEI-8YYX-DYU-02	1120955117				
	PNP	16I	TCDEM-8D0P-D1U	1120950008	TCDEI-8D0P-D1U	1120955007	TCDEP-8D0P-D1U	1120955033	
		14I / 2O	TCDEM-8C2P-D1U	1120950006	TCDEI-8C2P-D1U	1120955008	TCDEP-8C2P-D1U	1120955034	
		12I / 4O	TCDEM-8B4P-D1U	1120950004	TCDEI-8B4P-D1U	1120955009	TCDEP-8B4P-D1U	1120955035	
		8I / 8O	TCDEM-888P-D1U	1120950002	TCDEI-888P-D1U	1120955010	TCDEP-888P-D1U	1120955036	
7/8" 4 POLE	NPN	16I	TCDEM-8D0N-DYU	1120955021	TCDEI-8D0N-DYU	1120955012			1120950007 (PDM)
		14I / 2O	TCDEM-8C2N-DYU	1120955022	TCDEI-8C2N-DYU	1120955013			
		12I / 4O	TCDEM-8B4N-DYU	1120955023	TCDEI-8B4N-DYU	1120955014			
		8I / 8O	TCDEM-888N-DYU	1120955024	TCDEI-888N-DYU	1120955015			
	16 USER CONFIG.	TCDEM-8YYX-DYU	1120955038	TCDEI-8YYX-DYU	1120955020				
	USER CONFIG.			TCDEI-8YYX-DYU-02	1120955116				
	PNP	16I	TCDEM-8D0P-DYU	1120955025	TCDEI-8D0P-DYU	1120955016			
		14I / 2O	TCDEM-8C2P-DYU	1120955026	TCDEI-8C2P-DYU	1120955017			
		12I / 4O	TCDEM-8B4P-DYU	1120955027	TCDEI-8B4P-DYU	1120955018			
		8I / 8O	TCDEM-888P-DYU	1120955028	TCDEI-888P-DYU	1120955019			



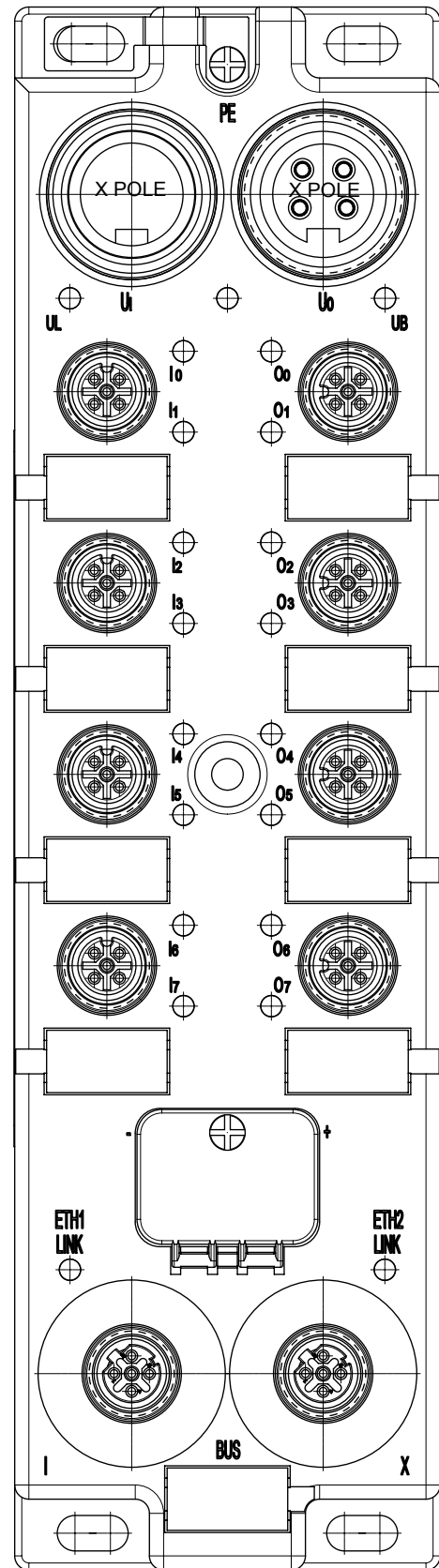
UNIVERSAL PRINTING

SYMBOLS	THIS DRAWING CONTAINS INFORMATION THAT IS PROPRIETARY TO MOLEX ELECTRONIC TECHNOLOGIES, LLC AND SHOULD NOT BE USED WITHOUT WRITTEN PERMISSION		CURRENT REV DESC: ADD NEW P/N'S		
	DIMENSION UNITS	SCALE			
▽ = 0	mm	1:1			PRODUCT CUSTOMER DRAWING DOCUMENT NUMBER: 1120950007 DOC TYPE: PSD DOC PART: 000 REVISION: B
▽ = 0	GENERAL TOLERANCES (UNLESS SPECIFIED)				
▽ = 0	ANGULAR TOL ± °				
▽ = 0	4 PLACES ±		EC NO: 171585 DRWN: RSCHIEBER 2018/01/22 CHK'D: ULETENMEIER 2018/02/01 APPR: RSILLER 2018/02/05		
▽ = 0	3 PLACES ±		INITIAL REVISION: DRWN: ULETENMEIER 2015/01/19 APPR: JALEXANDER 2015/06/25		
▽ = 0	2 PLACES ±				
▽ = 0	1 PLACE ± 0.3				
▽ = 0	0 PLACES ± 0.5				
■ = 0	DRAFT WHERE APPLICABLE MUST REMAIN WITHIN DIMENSIONS		THIRD ANGLE PROJECTION	DRAWING	SERIES
▽ = 0				A3-SIZE	112095
			MATERIAL NUMBER	CUSTOMER	SHEET NUMBER
			SEE TABLE 1,2,3,4,5,6	GENERAL MARKET	3 OF 8



TABLE 3 8I/8O PRINTING

POWER TYPE	INPUT/OUTPUT	EtherNet/IP		PROFINET		3D MODEL NO.	
		ENG. NO	MOLEX P/N	ENG. NO	MOLEX P/N		
7/8" 5 POLE	PNP	8I/8O	TCDEI-888P-D1U-G	1120955061	TCDEP-888P-D1U-G	1120955050	1120950007 (PDM)
		8I/8O	TCDEI-888P-D1U-G02	1120955142			
		8IN/4M	TCDEI-88MP-D1U-G	1120955118			
7/8" 4 POLE	PNP	8I/8O	TCDEI-888P-DYU-G	1120955041	TCDEP-888P-DYU-G	1120955053	1120950007 (PDM)
			TCDEI-888P-DYU-G01	1120955072			
			TCDEI-888P-DYU-G02	1120955138			

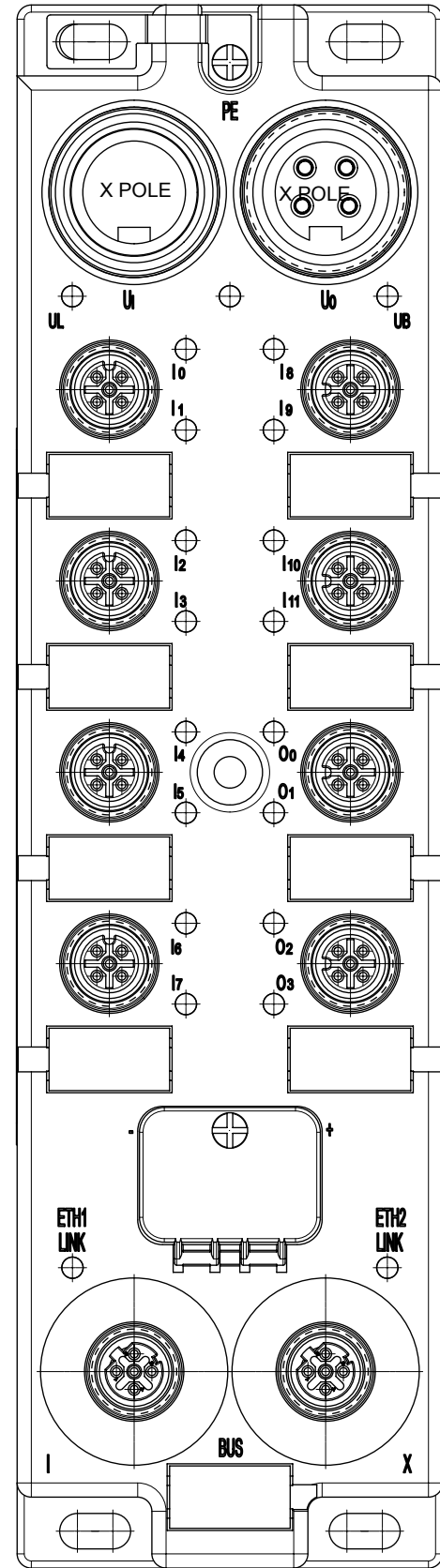


8I/8O IN PRINTING

SYMBOLS	THIS DRAWING CONTAINS INFORMATION THAT IS PROPRIETARY TO MOLEX ELECTRONIC TECHNOLOGIES, LLC AND SHOULD NOT BE USED WITHOUT WRITTEN PERMISSION		CURRENT REV DESC: ADD NEW P/N'S		<b>molex</b>
	▽ = 0	mm	SCALE	1:1	
▽ = 0	GENERAL TOLERANCES (UNLESS SPECIFIED)		EC NO: 171585		DBO ETH 60 MM 7/8" 4P/5P AC MA FE U12 5P U12 4P 2PT DC FE
▽ = 0	ANGULAR TOL ± °		DRWN: RSCHIEBER 2018/01/22		
▽ = 0	4 PLACES ±		CHK'D: ULETTENMEIER 2018/02/01		PRODUCT CUSTOMER DRAWING
▽ = 0	3 PLACES ±		APPR: RSILLER 2018/02/05		
▽ = 0	2 PLACES ±		INITIAL REVISION:		DOCUMENT NUMBER
▽ = 0	1 PLACE ± 0.3		DRWN: ULETTENMEIER 2015/01/19		
▽ = 0	0 PLACES ± 0.5		APPR: JALEXANDER 2015/06/25		1120950007
□ = 0	DRAFT WHERE APPLICABLE MUST REMAIN WITHIN DIMENSIONS		THIRD ANGLE PROJECTION	DRAWING	SERIES
▽ = 0				A3-SIZE	112095
			MATERIAL NUMBER	CUSTOMER	SHEET NUMBER
			SEE TABLE 1,2,3,4,5,6	GENERAL MARKET	5 OF 8

TABLE 4 12I/4O PRINTING

POWER TYPE	INPUT/OUTPUT	EtherNet/IP		PROFINET		3D MODEL NO.	
		ENG. NO	MOLEX P/N	ENG. NO	MOLEX P/N		
7/8" 5 POLE	PNP	12I/4O	TCDEI-8B4P-D1U-G	1120955063	TCDEP-8B4P-D1U-G	1120955051	1120950007 (PDM)
		12I/4O	TCDEI-8B4P-D1U-G02	1120955143			
7/8" 4 POLE	PNP	12I/4O	TCDEI-8B4P-DYU-G	1120955043	TCDEP-8B4P-DYU-G	1120955054	1120950007 (PDM)
		12I/4O	TCDEI-8B4P-DYU-G01	1120955073			
		12I/4O	TCDEI-8B4P-DYU-G02	1120955139			



12I/4O PRINTING

SYMBOLS	THIS DRAWING CONTAINS INFORMATION THAT IS PROPRIETARY TO MOLEX ELECTRONIC TECHNOLOGIES, LLC AND SHOULD NOT BE USED WITHOUT WRITTEN PERMISSION		CURRENT REV DESC: ADD NEW P/N'S		<b>molex</b>
	▽ = 0	mm	SCALE 1:1		
▽ = 0	GENERAL TOLERANCES (UNLESS SPECIFIED)		EC NO: 171585		DBO ETH 60 MM 7/8" 4P/5P AC MA FE U12 5P U12 4P 2PT DC FE
▽ = 0	ANGULAR TOL ± °		DRWN: RSCHIEBER 2018/01/22		
▽ = 0	4 PLACES ±		CHK'D: ULETTENMEIER 2018/02/01		PRODUCT CUSTOMER DRAWING
▽ = 0	3 PLACES ±		APPR: RSILLER 2018/02/05		
▽ = 0	2 PLACES ±		INITIAL REVISION:		DOCUMENT NUMBER 1120950007
▽ = 0	1 PLACE ± 0.3		DRWN: ULETTENMEIER 2015/01/19		
▽ = 0	0 PLACES ± 0.5		APPR: JALEXANDER 2015/06/25		DOC TYPE PSD
□ = 0	DRAFT WHERE APPLICABLE MUST REMAIN WITHIN DIMENSIONS		THIRD ANGLE PROJECTION	DRAWING A3-SIZE	SERIES 112095
▽ = 0			MATERIAL NUMBER SEE TABLE 1,2,3,4,5,6		CUSTOMER GENERAL MARKET
			SHEET NUMBER 6 OF 8		



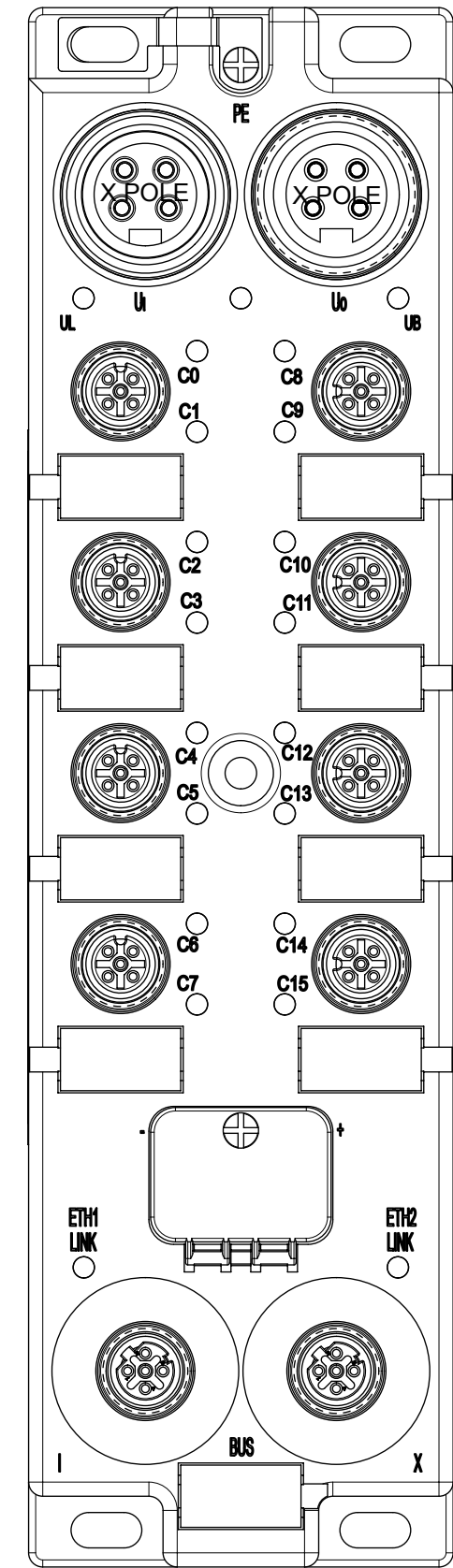
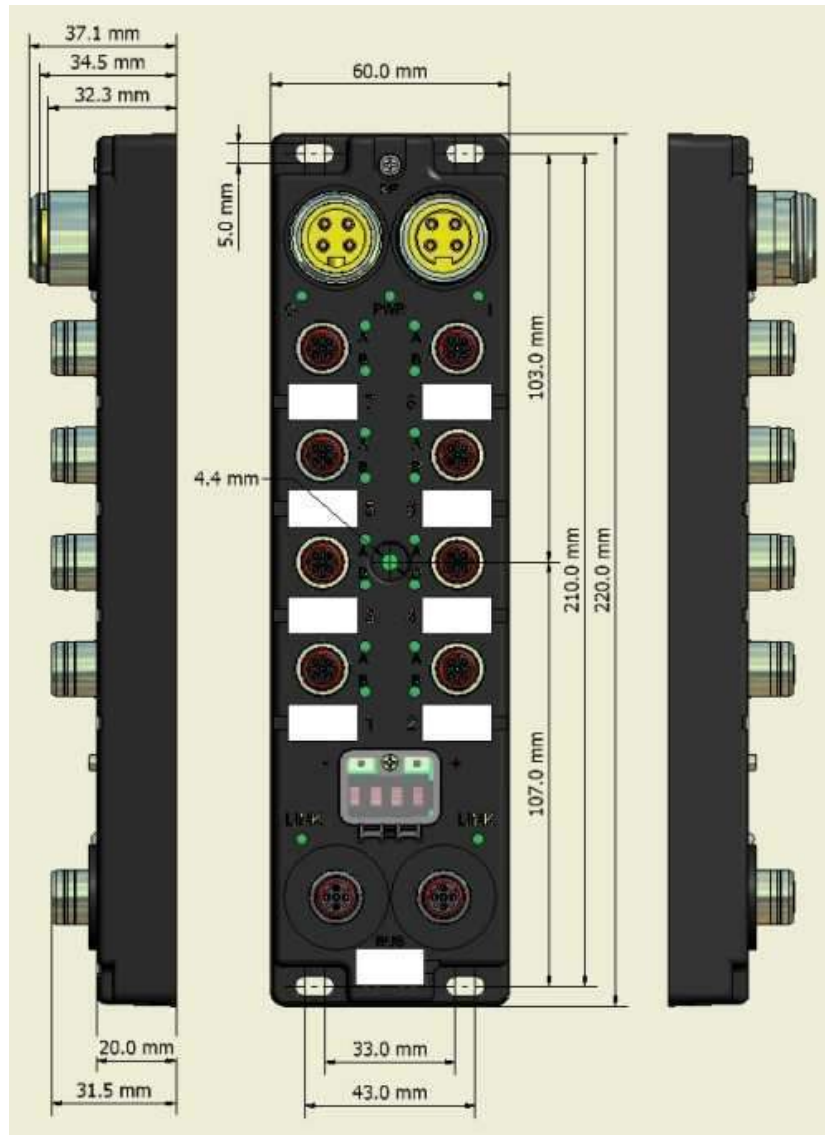


TABLE 6 16 USER CONFIG PRINTING

POWER TYPE	INPUT/OUTPUT		EtherNet/IP		PROFINET		3D MODEL NO.
			ENG. NO	MOLEX P/N	ENG. NO	MOLEX P/N	
7/8" 5 POLE	PNP	USER CONFIG	TCDEI-8YYX-D1U-G02	1120955117	TCDEP-8YYX-D1U-01	1120955115	1120950007 (PDM)
7/8" 4 POLE			TCDEI-8YYX-DYU-G02	1120955116	TCDEP-8YYX-DYU-01	1120955114	

SYMBOLS	THIS DRAWING CONTAINS INFORMATION THAT IS PROPRIETARY TO MOLEX ELECTRONIC TECHNOLOGIES, LLC AND SHOULD NOT BE USED WITHOUT WRITTEN PERMISSION		CURRENT REV DESC: ADD NEW P/N'S				
	DIMENSION UNITS	SCALE					
▽ = 0	mm	1:1	EC NO: 171585		DOCUMENT NUMBER		
▽ = 0	GENERAL TOLERANCES (UNLESS SPECIFIED)		DRWN: RSCHIEBER 2018/01/22		1120950007		
▽ = 0	ANGULAR TOL ± °		CHK'D: ULETTENMEIER 2018/02/01		DOC TYPE DOC PART REVISION		
▽ = 0	4 PLACES ±		APPR: RSILLER 2018/02/05		PSD 000 B		
▽ = 0	3 PLACES ±		INITIAL REVISION:		MATERIAL NUMBER		
▽ = 0	2 PLACES ±		DRWN: ULETTENMEIER 2015/01/19		CUSTOMER		
▽ = 0	1 PLACE ± 0.3		APPR: JALEXANDER 2015/06/25		GENERAL MARKET		
▽ = 0	0 PLACES ± 0.5		THIRD ANGLE PROJECTION		SHEET NUMBER		
□ = 0	DRAFT WHERE APPLICABLE MUST REMAIN WITHIN DIMENSIONS		DRAWING		8 OF 8		
▽ = 0			A3-SIZE				





Part Number	Description
TCDEI-8D0N-DYU	IO:EtherNet/IP:IP67:60MM:8P4:16DI:NPN
TCDEI-8C2N-DYU	IO:EtherNet/IP:IP67:60MM:8P4:14DI/2DO:NPN
TCDEI-8B4N-DYU	IO:EtherNet/IP:IP67:60MM:8P4:12DI/4DO:NPN
TCDEI-888N-DYU	IO:EtherNet/IP:IP67:60MM:8P4:8DI/8DO:NPN
TCDEI-8D0P-DYU	IO:EtherNet/IP:IP67:60MM:8P4:16DI:PNP
TCDEI-8C2P-DYU	IO:EtherNet/IP:IP67:60MM:8P4:14DI/2DO:PNP
TCDEI-8B4P-DYU	IO:EtherNet/IP:IP67:60MM:8P4:12DI/4DO:PNP
TCDEI-888P-DYU	IO:EtherNet/IP:IP67:60MM:8P4:8DI/8DO:PNP
TCDEI-8YYX-DYU	IO:EtherNet/IP:IP67:60MM:8P4:16 DCONFIG

REVISION: <b>A</b>	ECR/ECN INFORMATION: EC No: NA DATE: 2010/02 /01	TITLE: <b>EtherNet/IP IO Block IP67 60MM M12 8 Ports with Power connector 4 Poles</b>	SHEET No. <b>1 of 1</b>
DOCUMENT NUMBER: <b>SD-112095-5013</b>	CREATED / REVISED BY: <b>SZOUTARD</b>	CHECKED BY: <b>SMENARD</b>	APPROVED BY: <b>SZOUTARD</b>