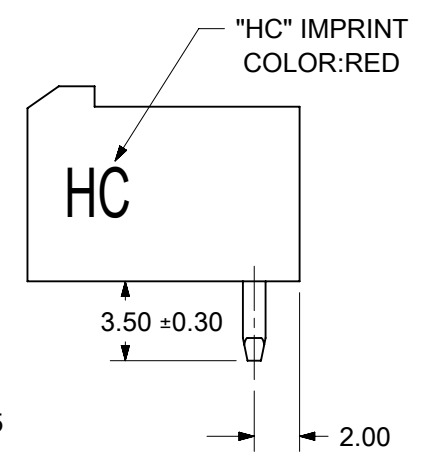
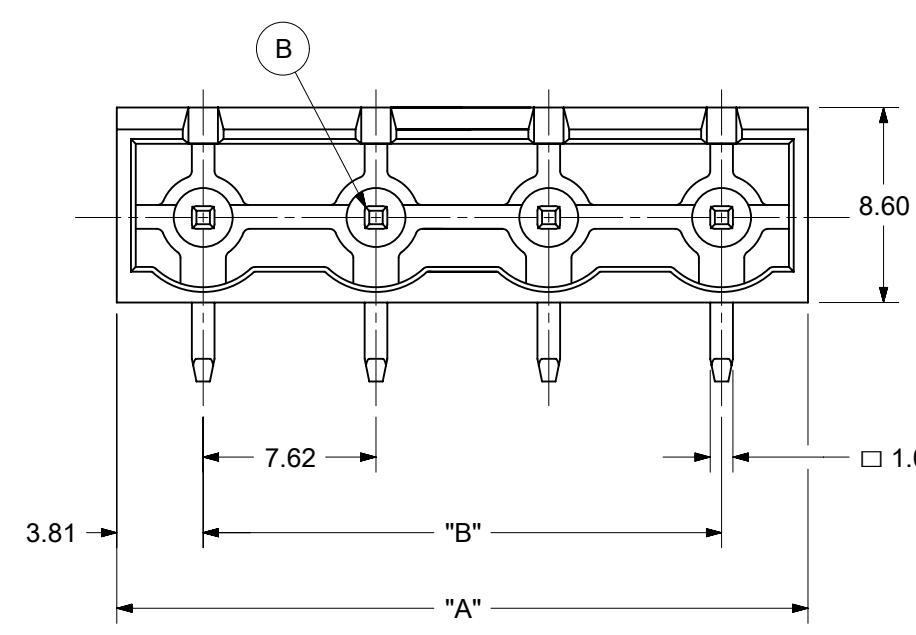
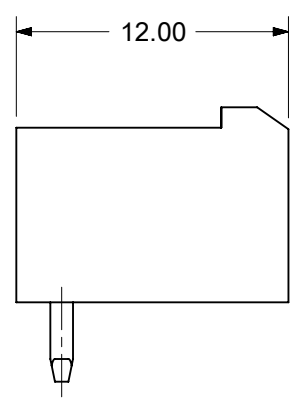
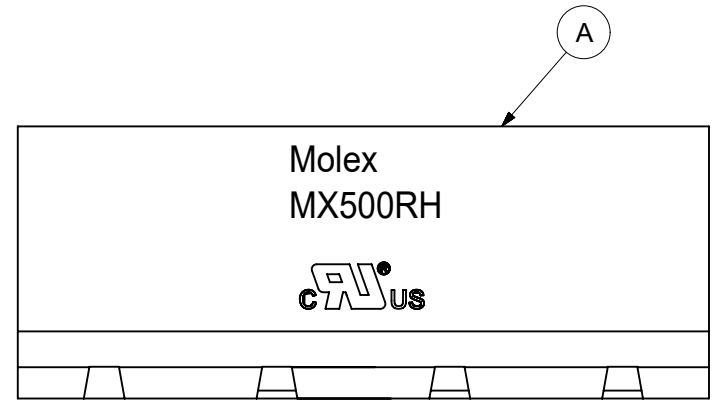
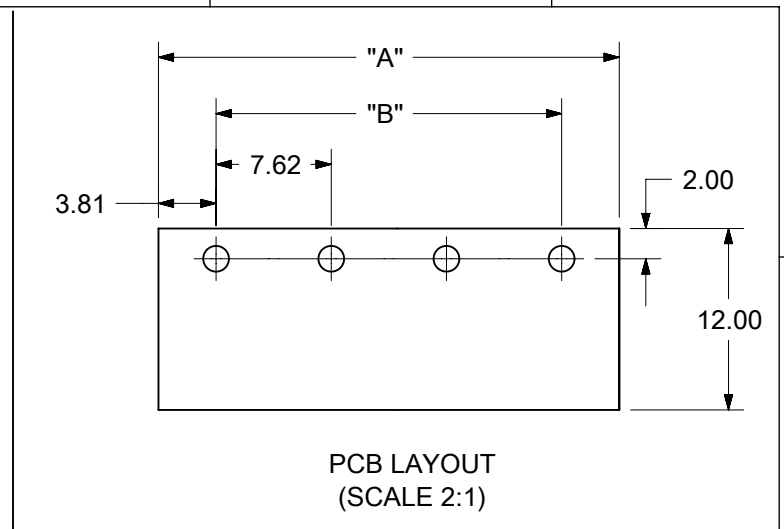


NUMBER OF CIRCUITS "XX"	MATERIAL NO.	ENG. NO	COLOR	DIM "A"	DIM "B"
02	397671002	MX500RH-02P-G12	GREEN	15.24	7.62
03	397671003	MX500RH-03P-G12	GREEN	22.86	15.24
04	397671004	MX500RH-04P-G12	GREEN	30.48	22.86
05	397671005	MX500RH-05P-G12	GREEN	38.10	30.48
06	397671006	MX500RH-06P-G12	GREEN	45.72	38.10
07	397671007	MX500RH-07P-G12	GREEN	53.34	45.72
08	397671008	MX500RH-08P-G12	GREEN	60.96	53.34
09	397671009	MX500RH-09P-G12	GREEN	68.58	60.96
10	397671010	MX500RH-10P-G12	GREEN	76.20	68.58
11	397671011	MX500RH-11P-G12	GREEN	83.82	76.20
12	397671012	MX500RH-12P-G12	GREEN	91.44	83.82
13	397671013	MX500RH-13P-G12	GREEN	99.06	91.44
14	397671014	MX500RH-14P-G12	GREEN	106.68	99.06
15	397671015	MX500RH-15P-G12	GREEN	114.30	106.68
16	397671016	MX500RH-16P-G12	GREEN	121.92	114.30
17	397671017	MX500RH-17P-G12	GREEN	129.54	121.92
18	397671018	MX500RH-18P-G12	GREEN	137.16	129.54
19	397671019	MX500RH-19P-G12	GREEN	144.78	137.16
20	397671020	MX500RH-20P-G12	GREEN	152.40	144.78

- SPECIFICATIONS:**
- MATERIAL:**
 - A. HOUSING, PA66, V0
 - B. TERMINAL: COPPER ALLOY, TIN PLATED
 - MAX. RATING: 300V, 18.5A (PER UL)**
600V RATING MAY BE PERMISSIBLE IF PCB SOLDER PINS ARE ENCAPSULATED PER UL REQUIREMENTS
 - INSULATION WITHSTAND VOLTAGE: AC2000V/1 MIN.**
 - INSULATION RESISTANCE: 500MΩ OR MORE AT DC500V**
 - TEMPERATURE RANGE: -40°C TO +105°C**
 - NOTE: ALL ELECTRICAL AND MECHANICAL SPECIFICATIONS PER UL 1059 AS NOTED IN MOLEX AGENCY APPROVAL FILE NO. E48521**



Total Pitch Tolerances in mm									Nominal dimension range in mm									
over	over	over	over	over	over	over	over	over	over	over	over	over	over	over	over	over	over	over
0	30	53	70	90	115	150	200	250	0	30	53	70	90	115	150	200	250	
to	to	to	to	to	to	to	to	to	to	to	to	to	to	to	to	to	to	
30	53	70	90	115	150	200	250	320	30	53	70	90	115	150	200	250	320	
±0.20	±0.25	±0.30	±0.35	±0.44	±0.55	±0.70	±0.85	±1.00	±0.25	±0.30	±0.35	±0.44	±0.55	±0.70	±0.80	±0.90	±1.20	

FUNCTIONAL SYMBOLS	THIS DRAWING CONTAINS INFORMATION THAT IS PROPRIETARY TO MOLEX ELECTRONIC TECHNOLOGIES, LLC AND SHOULD NOT BE USED WITHOUT WRITTEN PERMISSION		CURRENT REV DESC: INITIAL RELEASE		molex		
	DIMENSION UNITS	SCALE	EC NO: 665717				
	mm	3:1	DRWN: ABENJAMINLW 2021/01/20		SINGLE ROW HORIZONTAL HEADER 7.62MM PITCH, HIGH CURRENT		
	GENERAL TOLERANCES (UNLESS SPECIFIED)		CHK'D: DACHAMMER 2021/05/26		PRODUCT CUSTOMER DRAWING		
ANGULAR TOL ± ---		APPR: JFMURPHY 2021/06/22		DOCUMENT NUMBER			
4 PLACES ± ---		INITIAL REVISION:		397671002			
3 PLACES ± ---		DRWN: ABENJAMINLW 2021/01/20		DOC TYPE DOC PART REVISION			
2 PLACES ± SEE CHART		APPR: JFMURPHY 2021/06/22		PSD 000 A			
1 PLACE ± SEE CHART		MATERIAL NUMBER		SEE CHART			
0 PLACES ± ---		CUSTOMER		GENERAL MARKET			
DRAFT WHERE APPLICABLE MUST REMAIN WITHIN DIMENSIONS		THIRD ANGLE PROJECTION	DRAWING	SERIES	SHEET NUMBER		
			B-SIZE	39767	1 OF 1		