

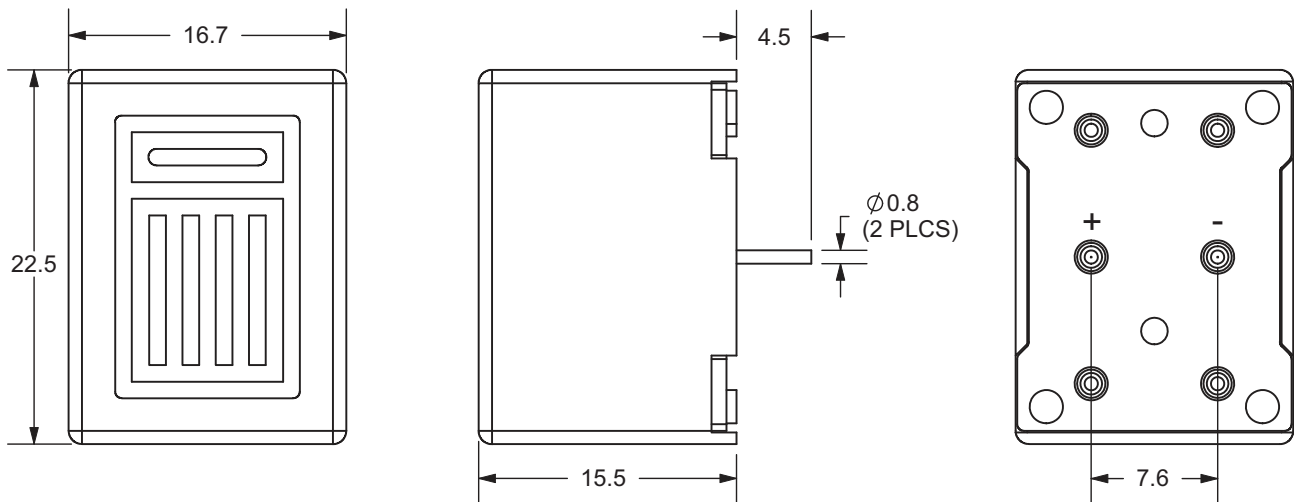
PART NUMBER: CS-3212

DESCRIPTION: solid state buzzer

**SPECIFICATONS**

operating voltage	8 ~ 18 V DC	
current consumption	25 mA max.	at 12 V DC
sound pressure level	77 db min.	at 30 cm/12 V DC
tone	continuous	
operating temperature	-20 ~ +60° C	
storage temperature	-30 ~ +70° C	
weight	8.5 g max.	
RoHS	yes	

**APPEARANCE DRAWING**

 tolerance:  $\pm 0.5$   
 units: mm

**CURRENT CONSUMPTION/SOUND PRESSURE LEVEL**

 Tolerance:  $\pm 0.5$ mm
