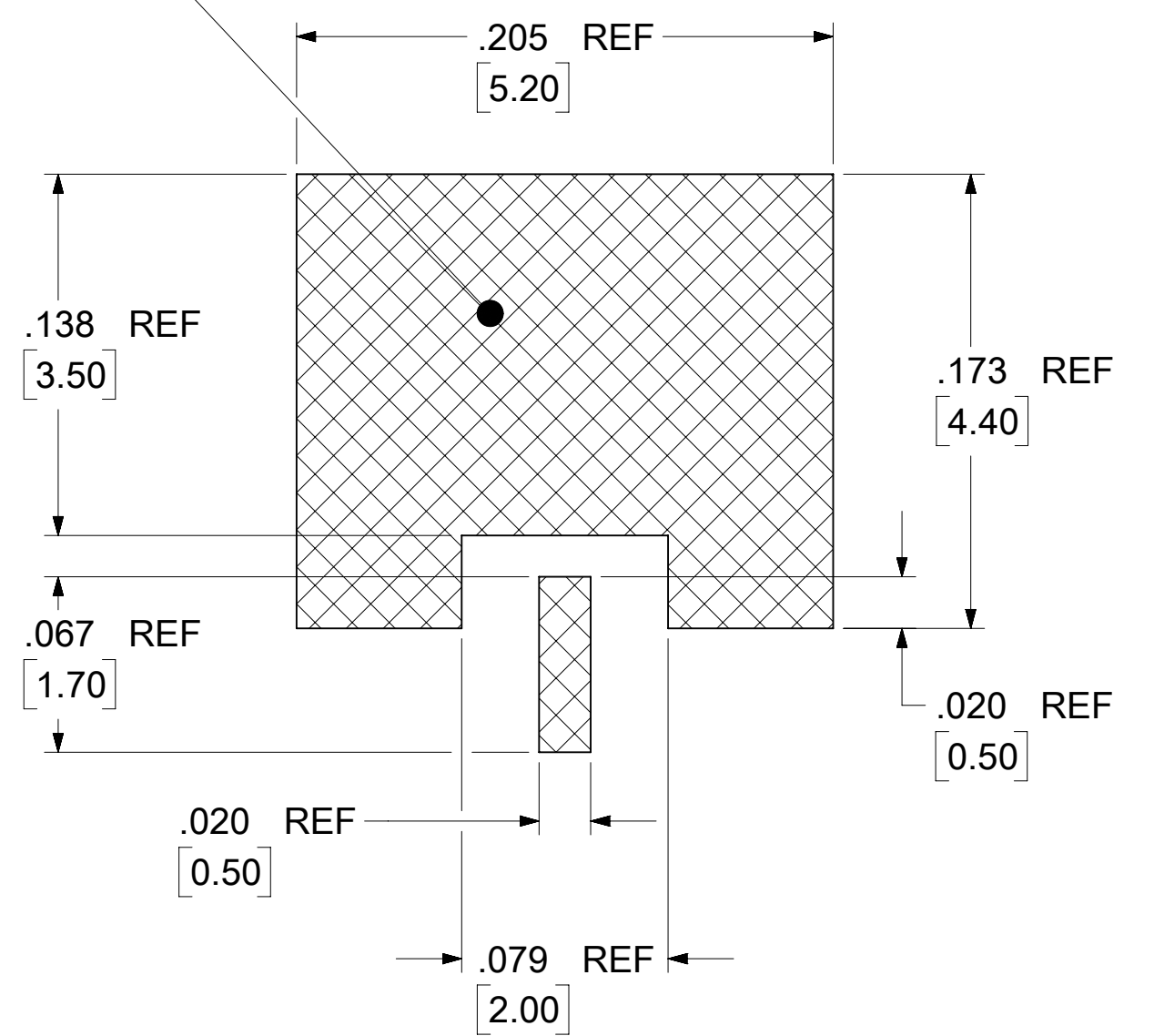
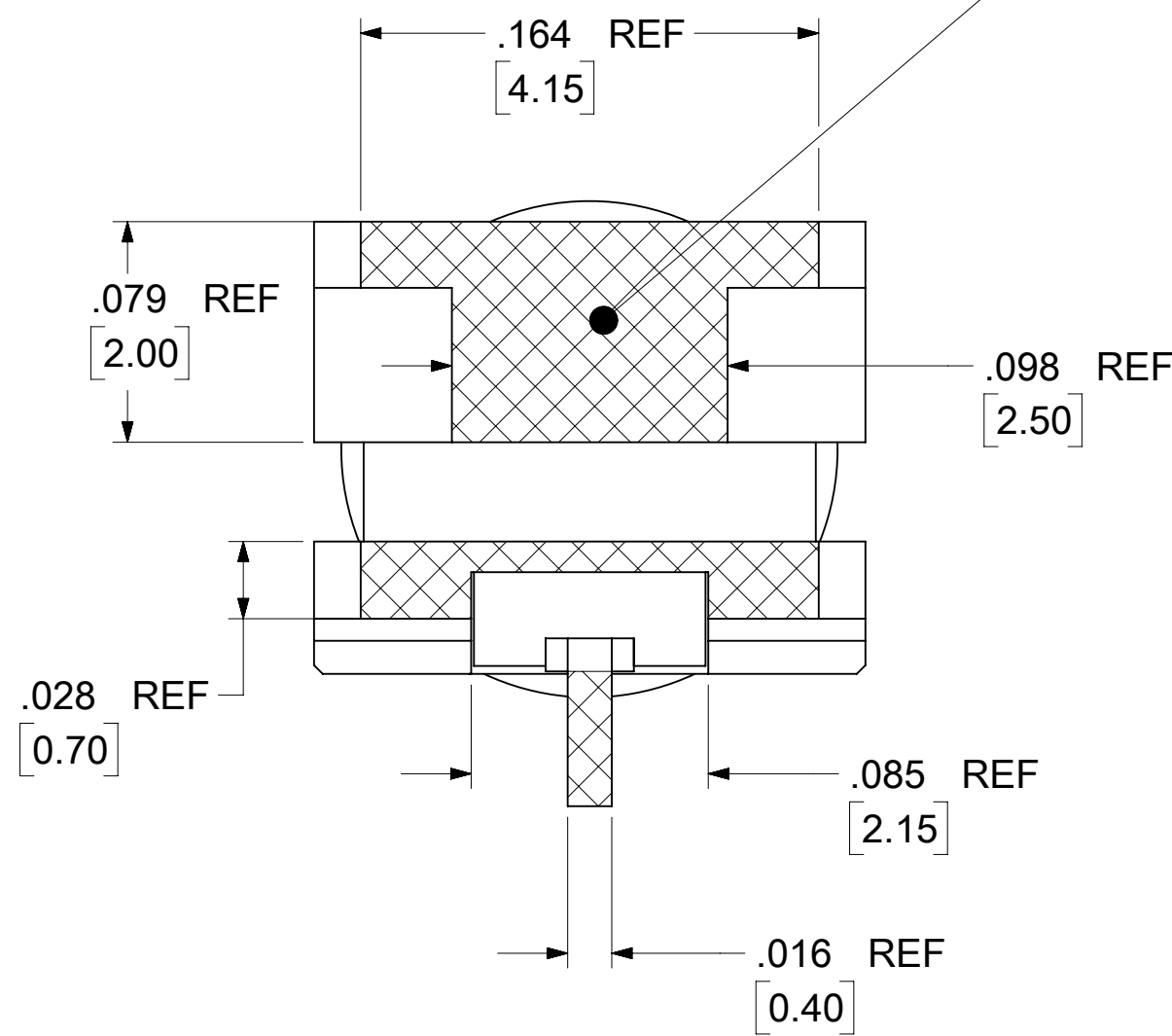
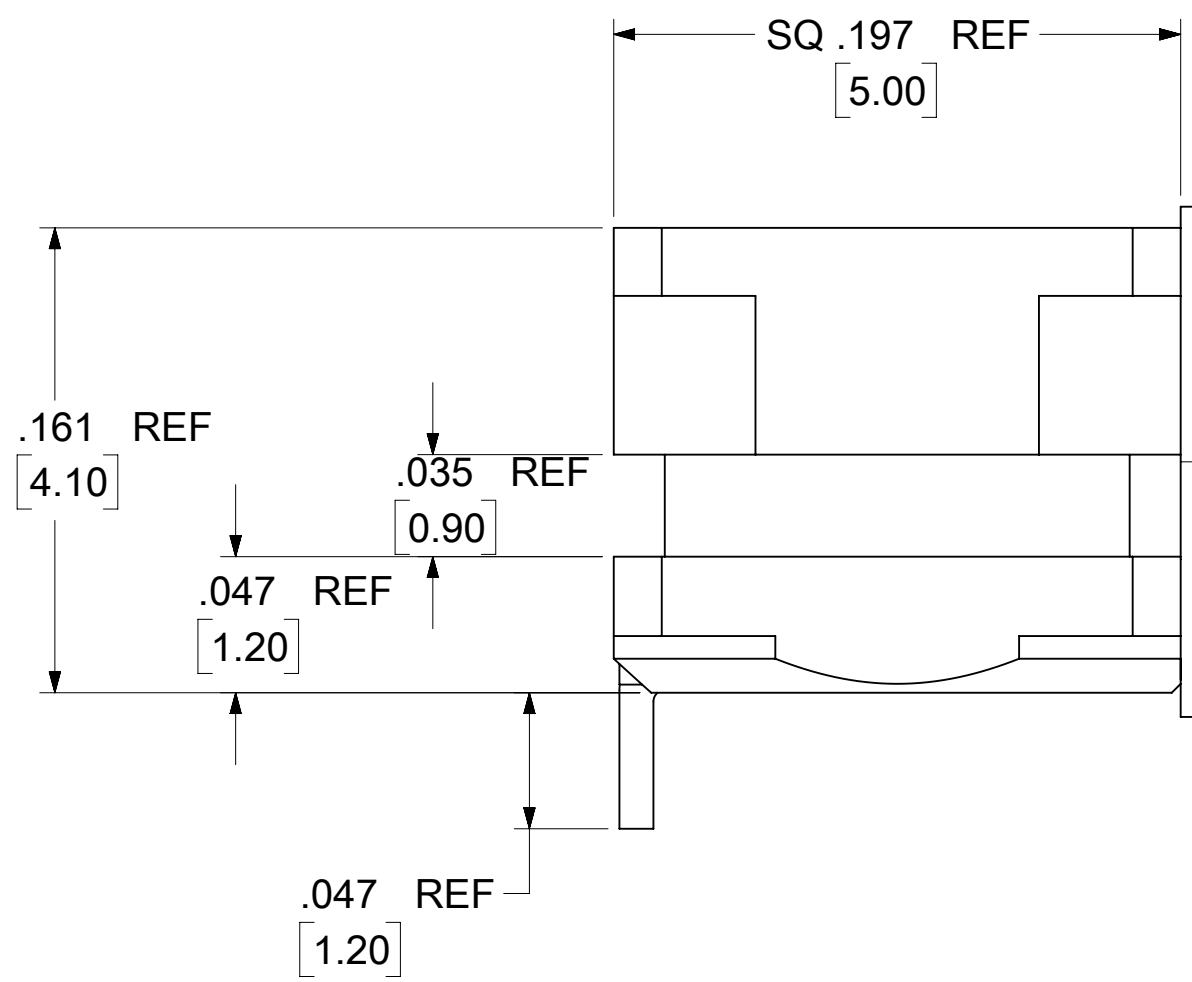
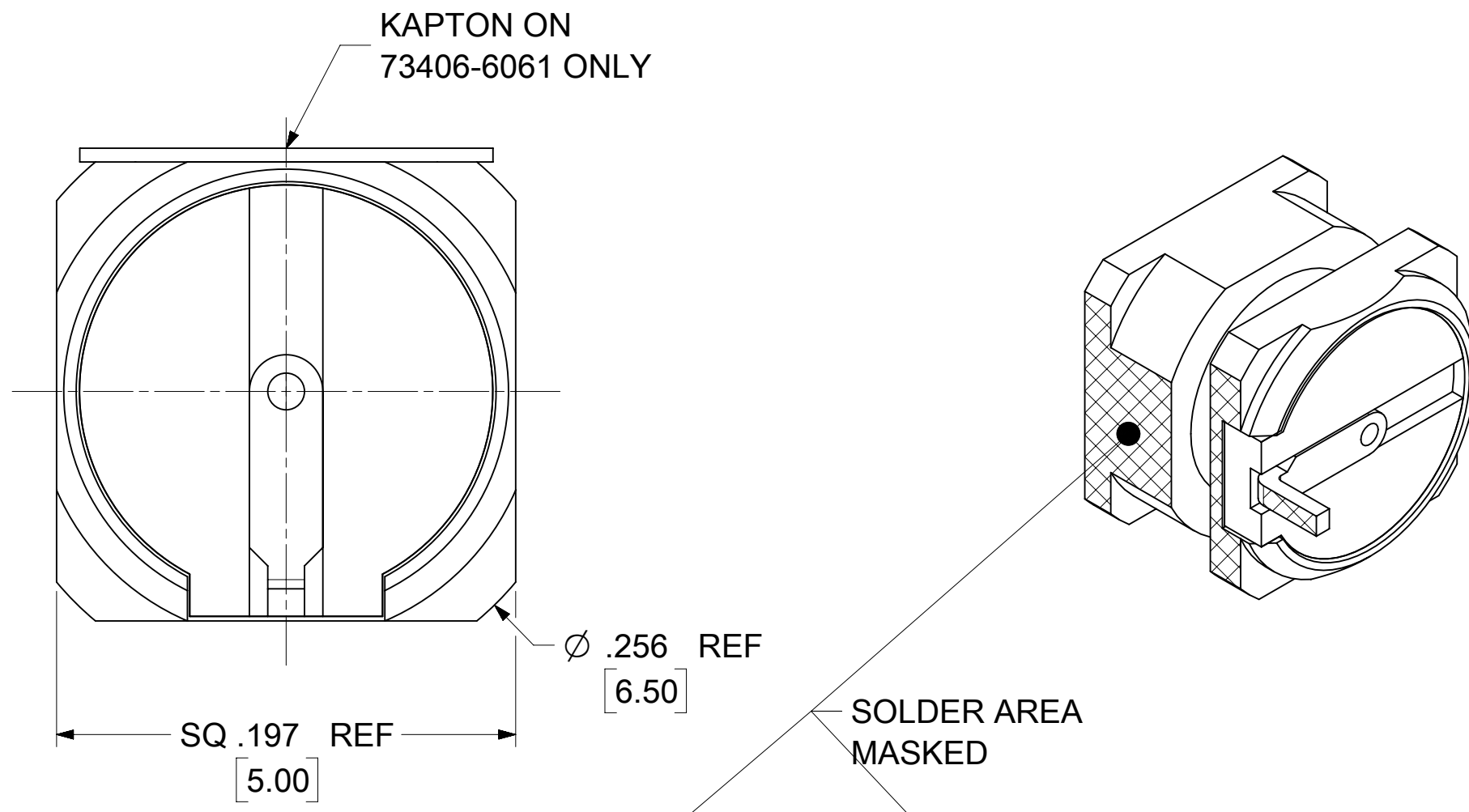


MATERIALS AND FINISHES:

BODY, CENTER CONTACT: BRASS
PLATED GOLD

INSULATOR: LCP

KAPTON: POLYIMIDE FILM
(ON -6061 ONLY)



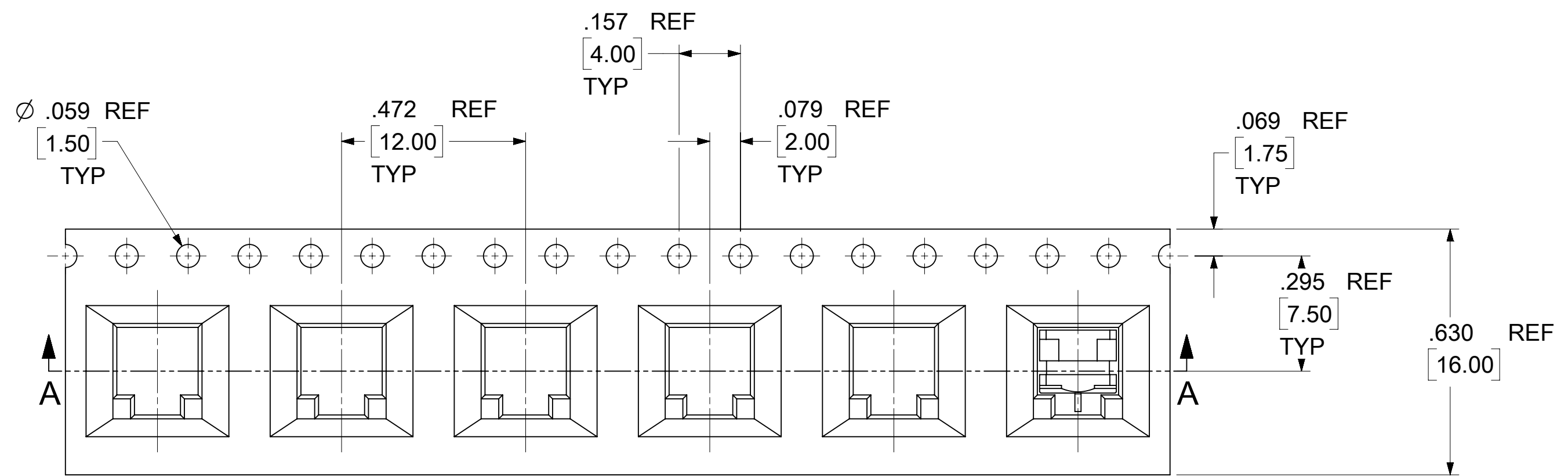
73406-6062	73406-6060 ONE PER BAG	895420470
73406-6061	73406-6060 TAPE & REEL WITH KAPTON	SHEET 2 & 3
73406-6060	73406-6060 TAPE & REEL WITHOUT KAPTON	
PART NO.	DESCRIPTION	PACKING SPEC

MIL-STD-348A, FIG. 326.3	INTERFACE
SPECIFICATION	DESCRIPTION

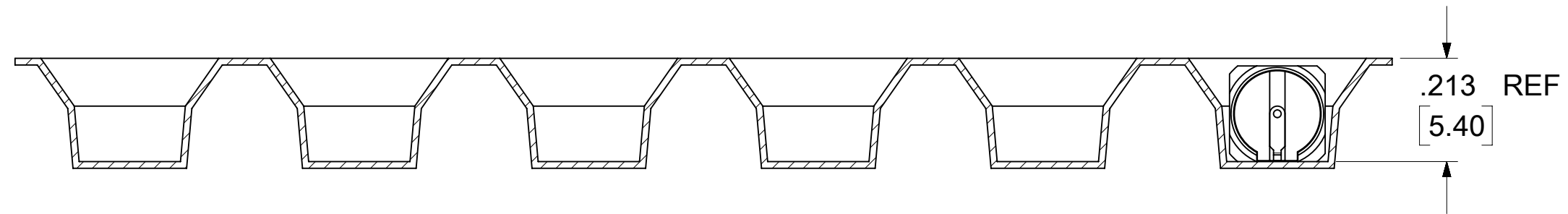
THIS DRAWING CONTAINS INFORMATION THAT IS PROPRIETARY TO MOLEX ELECTRONIC TECHNOLOGIES, LLC AND SHOULD NOT BE USED WITHOUT WRITTEN PERMISSION

DIMENSION UNITS INCH/MM	SCALE NTS	CURRENT REV DESC: UPDATE VIEWS OF TAPE & REEL PACKAGING PER EWR #15321-H	molex		
GENERAL TOLERANCES (UNLESS SPECIFIED)		EC NO: 739487			
ANGULAR TOL ± 2.0°	4 PLACES ±	DRWN: RYEH 2023/02/18	PRODUCT CUSTOMER DRAWING		
3 PLACES ±	2 PLACES ±	CHK'D: YCHENG 2023/02/21	DOCUMENT NUMBER		
1 PLACE ±	0 PLACES ±	APPR: YCHENG 2023/02/21	SD-73406-606		
DRAFT WHERE APPLICABLE MUST REMAIN WITHIN DIMENSIONS		INITIAL REVISION: DRWN: JLEE02 2008/10/27 APPR: JWIENER 2008/10/27	DOC TYPE DOC PART REVISION PSD 001 A2		
THIRD ANGLE PROJECTION	DRAWING	SERIES	MATERIAL NUMBER	CUSTOMER	SHEET NUMBER
	C-SIZE	73406	SEE TABLE	GENERAL MARKET	1 OF 3

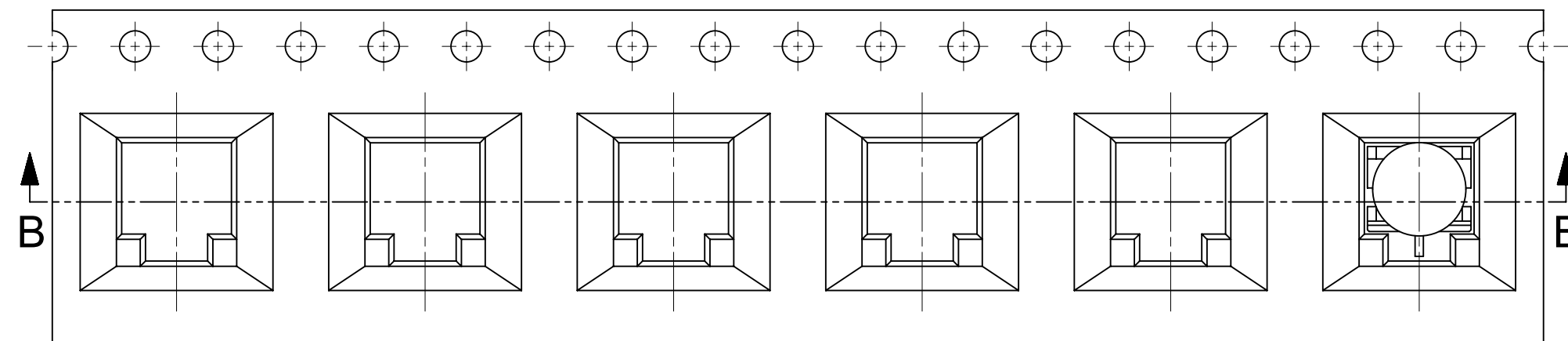
DOCUMENT STATUS	P1	RELEASE DATE	2023/02/21 07:36:41
-----------------	----	--------------	---------------------



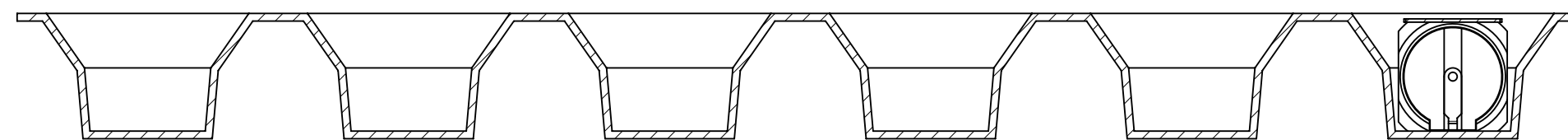
VIEWS FOR 73406-6060



SECTION A-A



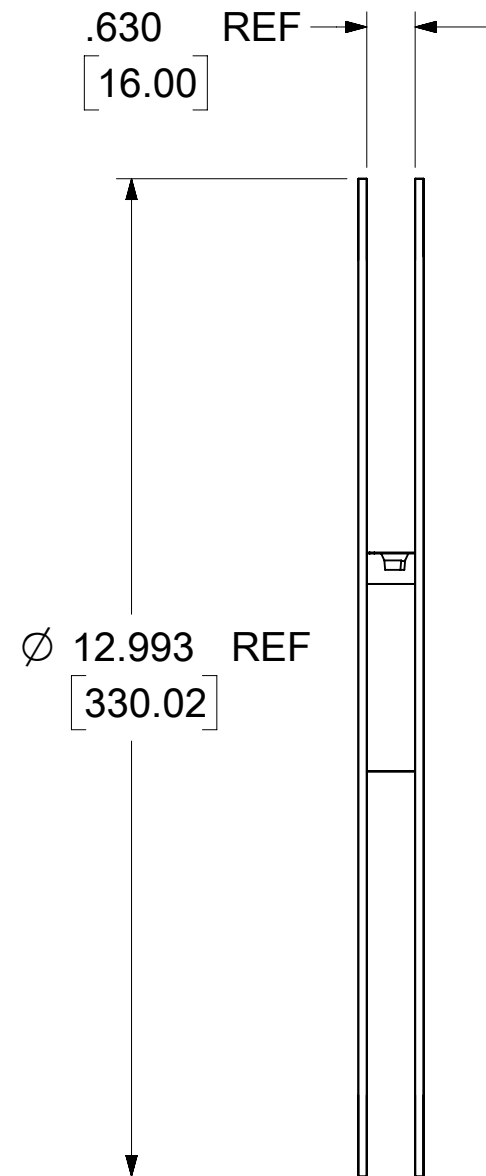
VIEWS FOR 73406-6061



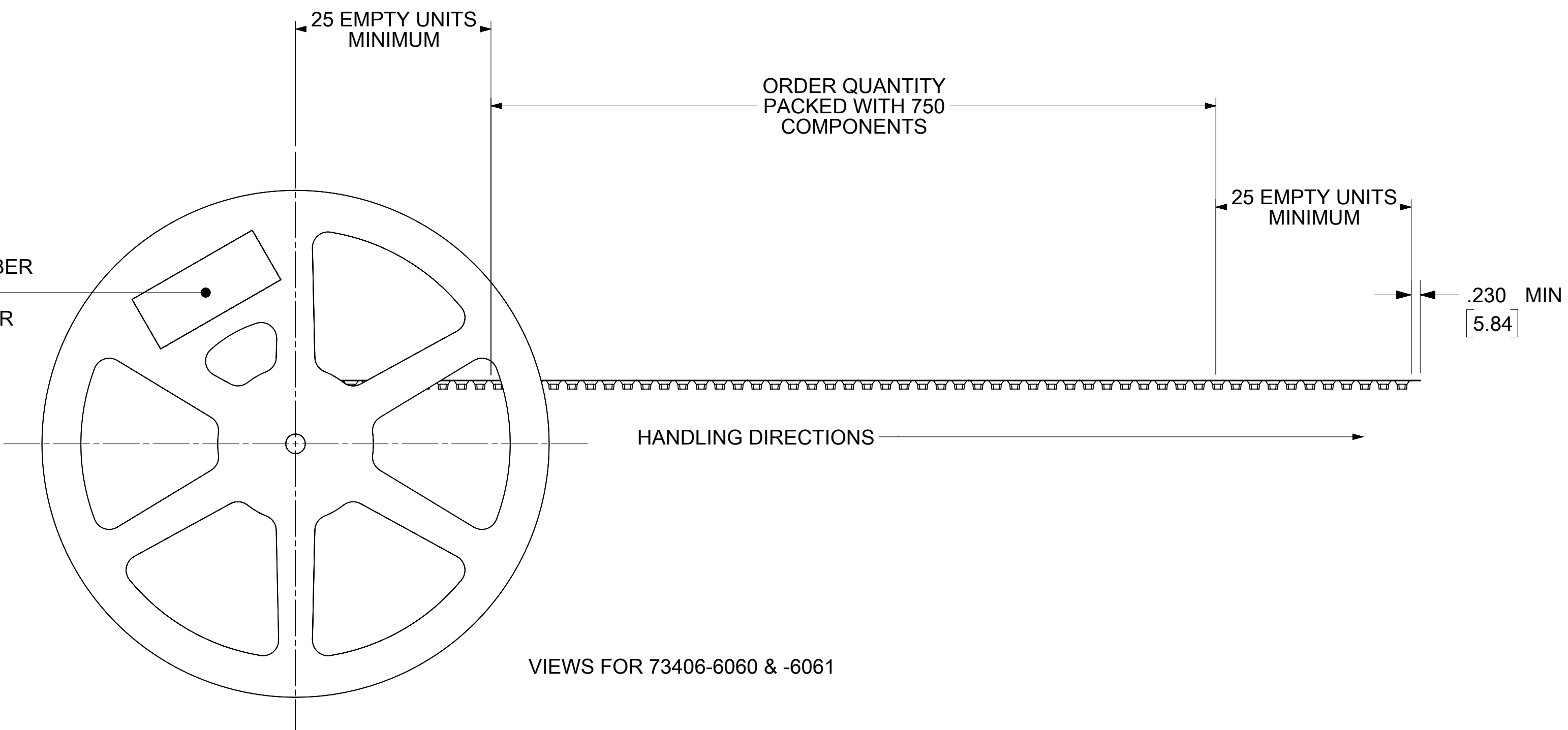
SECTION B-B

THIS DRAWING CONTAINS INFORMATION THAT IS PROPRIETARY TO MOLEX ELECTRONIC TECHNOLOGIES, LLC AND SHOULD NOT BE USED WITHOUT WRITTEN PERMISSION

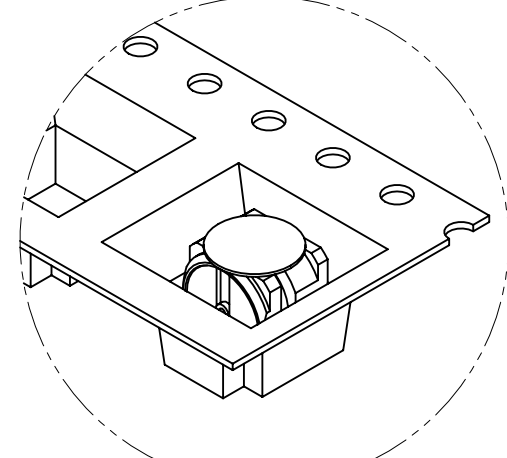
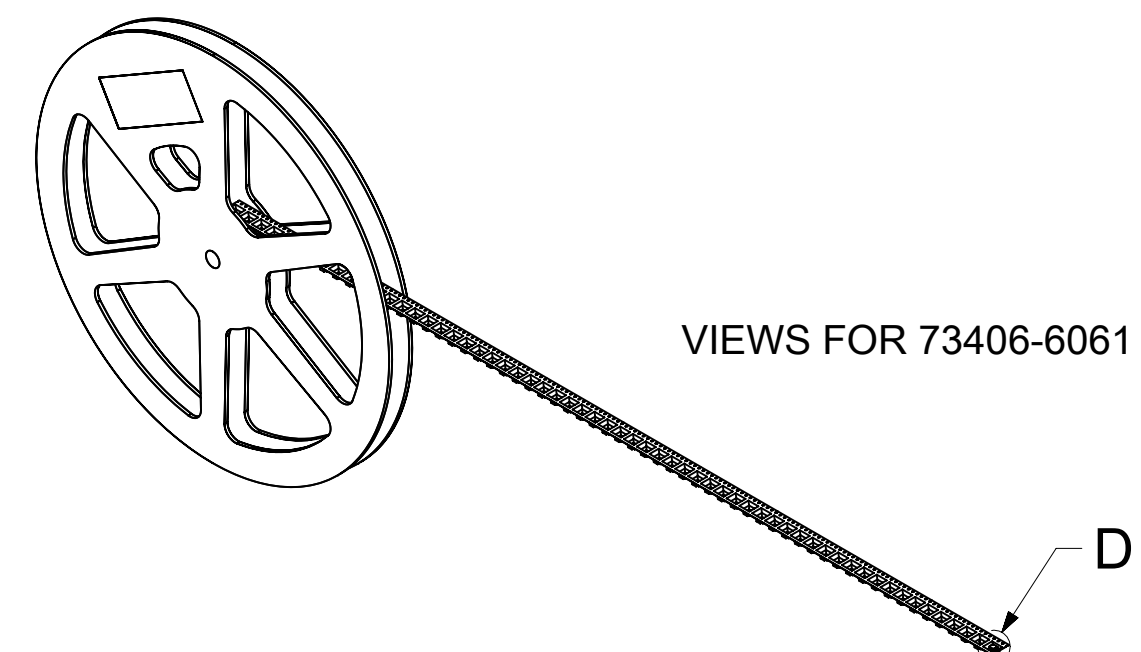
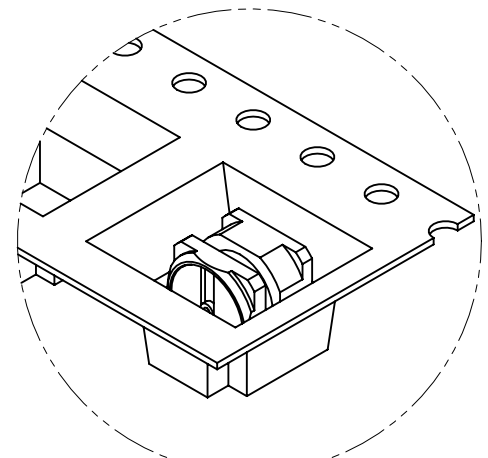
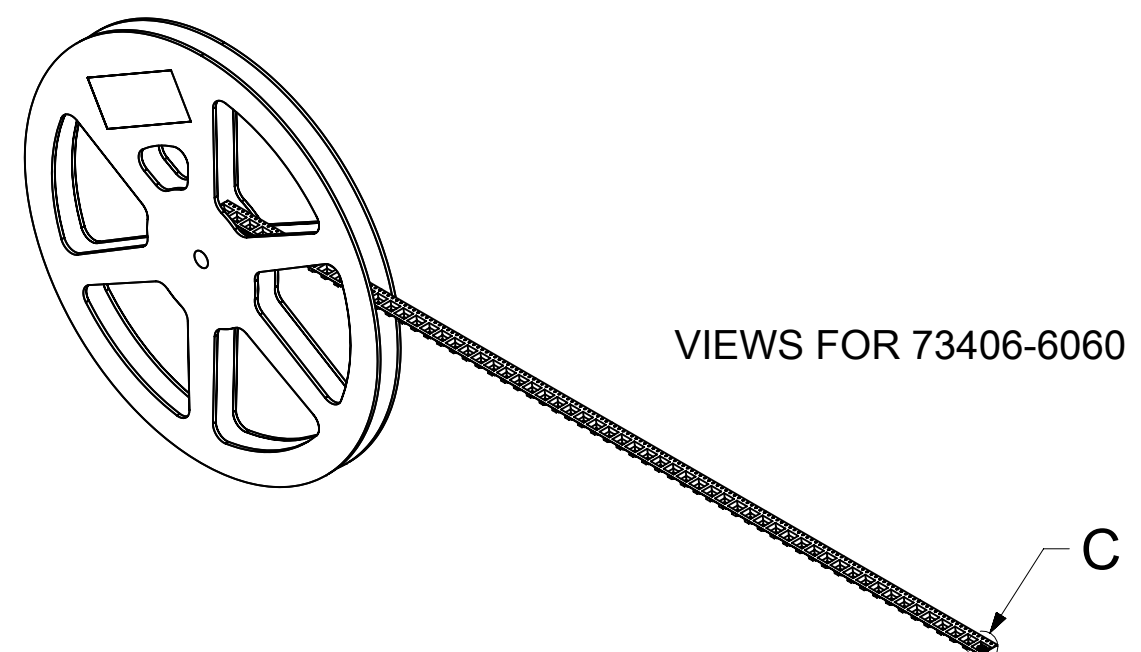
DIMENSION UNITS INCH/MM		SCALE NTS	CURRENT REV DESC: UPDATE VIEWS OF TAPE & REEL PACKAGING PER EWR #15321-H	
GENERAL TOLERANCES (UNLESS SPECIFIED)		<p>molex</p> <p>SMP PLUG, R/A PCB LIMITED DETENT, SMP-P/PCB EWR-3795</p> <p>PRODUCT CUSTOMER DRAWING</p>		
ANGULAR TOL	± 2.0°			
4 PLACES	±			
3 PLACES	±			
2 PLACES	±			
1 PLACE	±			
0 PLACES	±	EC NO: 739487	2023/02/18	
DRAFT WHERE APPLICABLE MUST REMAIN WITHIN DIMENSIONS		THIRD ANGLE PROJECTION	DRAWING	SERIES
			C-SIZE	73406
DOCUMENT STATUS		DOC TYPE	DOC PART	REVISION
P1	RELEASE DATE	PSD	001	A2
2023/02/21	07:36:41	MATERIAL NUMBER		SHEET NUMBER
		SEE TABLE	GENERAL MARKET	2 OF 3



LABEL:
-ORDER NUMBER
-QUANTITY
-PART NUMBER
-LOT NUMBER



VIEWS FOR 73406-6060 & -6061



THIS DRAWING CONTAINS INFORMATION THAT IS PROPRIETARY TO MOLEX ELECTRONIC TECHNOLOGIES, LLC AND SHOULD NOT BE USED WITHOUT WRITTEN PERMISSION

DIMENSION UNITS INCH/MM		SCALE NTS	CURRENT REV DESC: UPDATE VIEWS OF TAPE & REEL PACKAGING PER EWR #15321-H		molex			
GENERAL TOLERANCES (UNLESS SPECIFIED)			EC NO: 739487					
ANGULAR TOL ± 2.0°			DRWN: RYEH 2023/02/18		PRODUCT CUSTOMER DRAWING			
4 PLACES ±			CHK'D: YCHENG 2023/02/21		DOCUMENT NUMBER			
3 PLACES ±			APPR: YCHENG 2023/02/21		SD-73406-606			
2 PLACES ±			INITIAL REVISION:		DOC TYPE DOC PART REVISION			
1 PLACE ±			DRWN: JLEE02 2008/10/27		PSD 001 A2			
0 PLACES ±			APPR: JWIENER 2008/10/27		SHEET NUMBER			
DRAFT WHERE APPLICABLE MUST REMAIN WITHIN DIMENSIONS		THIRD ANGLE PROJECTION	DRAWING C-SIZE	SERIES 73406	MATERIAL NUMBER SEE TABLE	CUSTOMER GENERAL MARKET	3 OF 3	

DOCUMENT STATUS	P1	RELEASE DATE	2023/02/21	07:36:41
-----------------	----	--------------	------------	----------