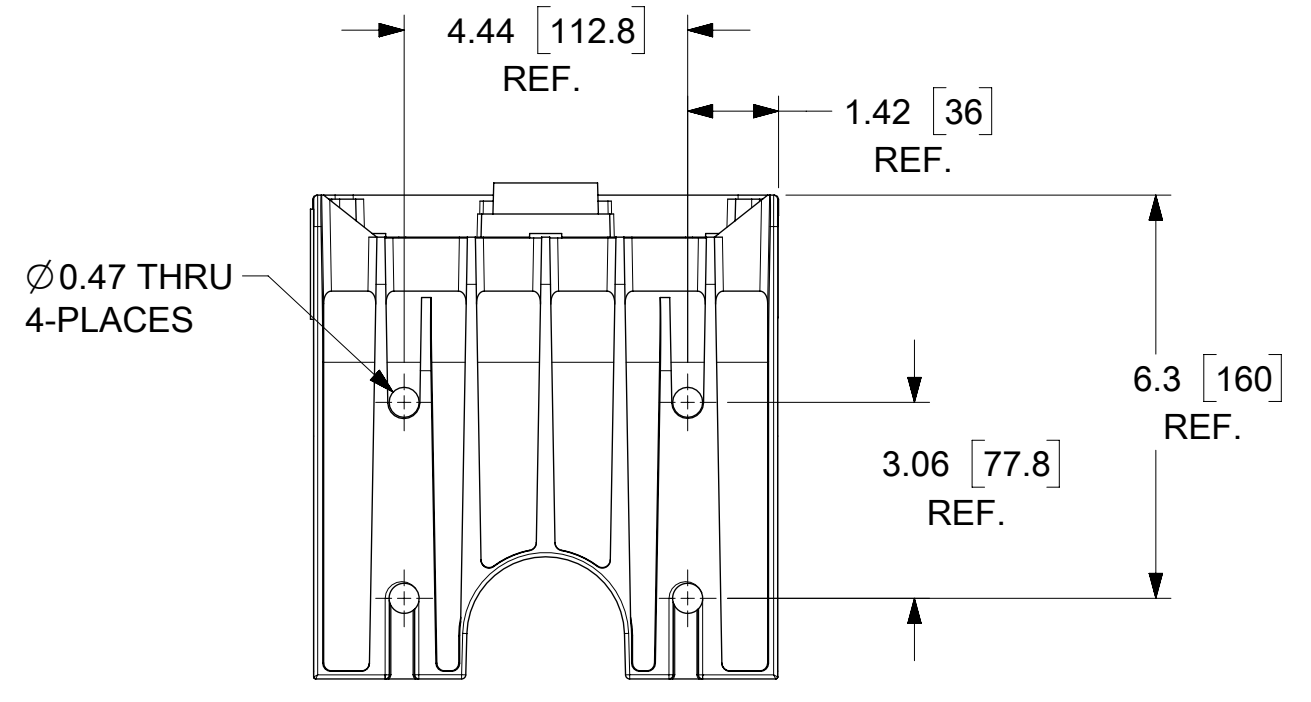
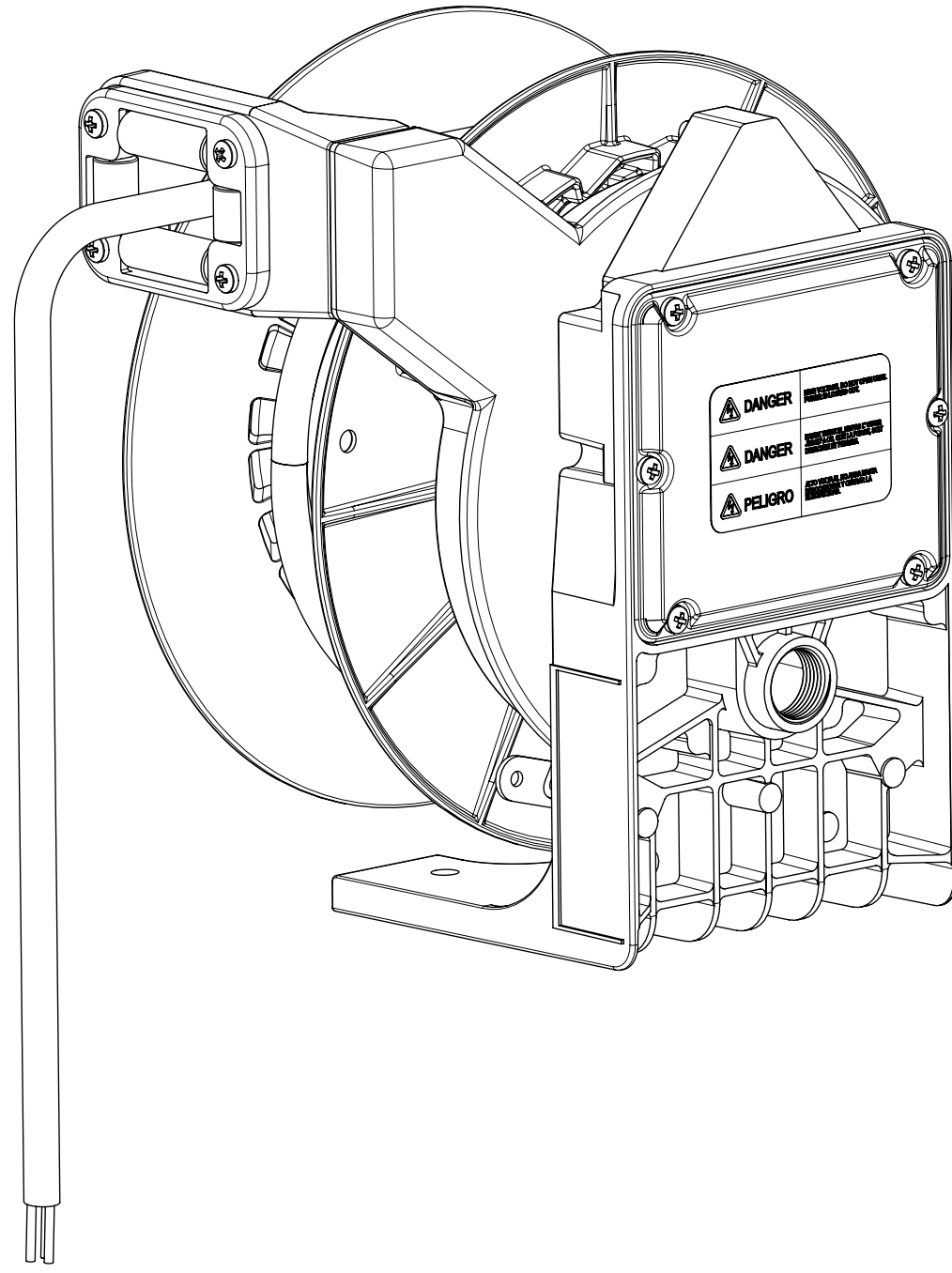
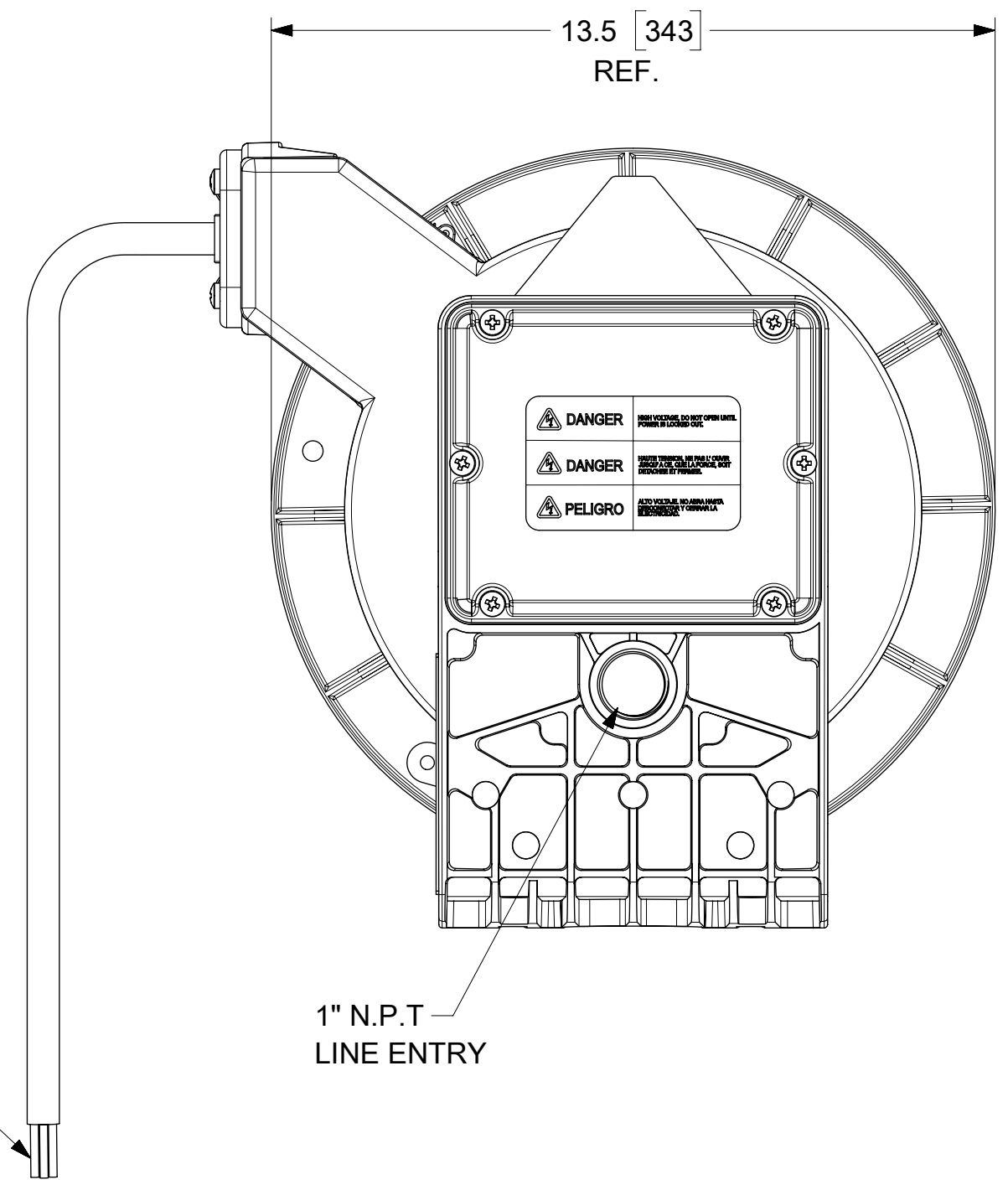
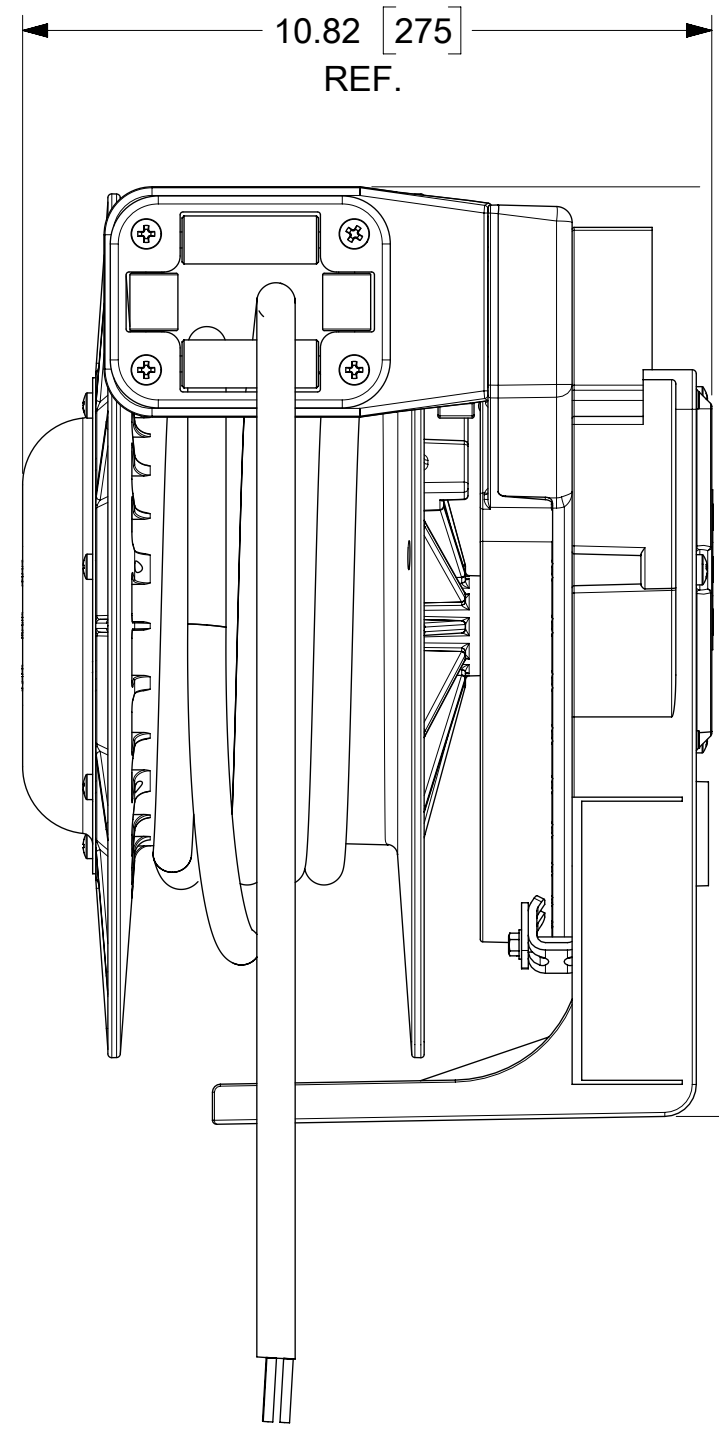


ORDER NO	130083-0223
WOODHEAD ENG. NO	9208
WIRE GAUGE	16
CONDUCTORS	8
AMPERAGE	6A
CORD	38 FT. BLACK
CORD TYPE	SOOW
CONSTRUCTION	HEAVY WALL CAST ALUMINUM
PAINT	YELLOW POWDER COAT
REEL ENCLOSURE RATING	NEMA 4 INDOOR / OUTDOOR
RETRACTION WEIGHT	4.0 LB [1.8 KG]



BOTTOM VIEW

- NOTES:**
- CABLE GUIDE IS ADJUSTABLE EVERY 5 DEGREES OVER 270 DEGREE ARC.
 - RATCHET LOCK IS EASY TO DISENGAGE FOR CONSTANT TENSION.
 - REEL CANNOT BE "LOCKED OUT" AT FULL EXTENSION.

FUNCTIONAL SYMBOLS	THIS DRAWING CONTAINS INFORMATION THAT IS PROPRIETARY TO MOLEX ELECTRONIC TECHNOLOGIES, LLC AND SHOULD NOT BE USED WITHOUT WRITTEN PERMISSION			CURRENT REV DESC: RELEASE CUSTOMER DRAWING					
	DIMENSION UNITS	SCALE							
$F_A = 0$	INCH/MM	NTS		GENERAL TOLERANCES (UNLESS SPECIFIED)			EC NO: 673889 DRWN: VHANDI 2020/07/16 CHK'D: DSOPPIN 2022/05/09 APPR: HKNEELAND 2022/05/13		
$F_C = 0$		MM	INCH						
$F_D = 0$	4 PLACES ±	±		INITIAL REVISION:			DOCUMENT NUMBER 1300830223		
DIVISIONAL SYMBOLS	3 PLACES ±	± 0.005							
	2 PLACES ±	± 0.01		THIRD ANGLE PROJECTION 			PSD	000	A
	1 PLACE ±	± 0.02					DRAFT WHERE APPLICABLE MUST REMAIN WITHIN DIMENSIONS		
	0 PLACES ±	±		C-SIZE 130083					
	ANGULAR TOL	± 0.5°					MATERIAL NUMBER SEE TABLE		
				SHEET NUMBER 1 OF 1					