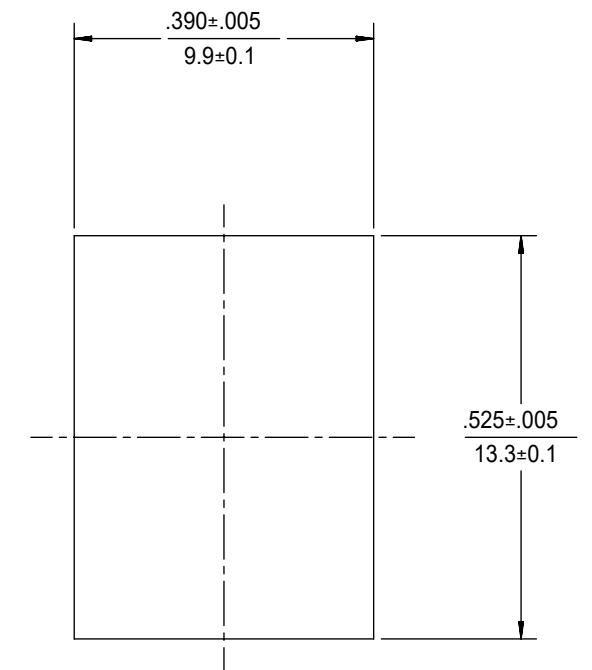
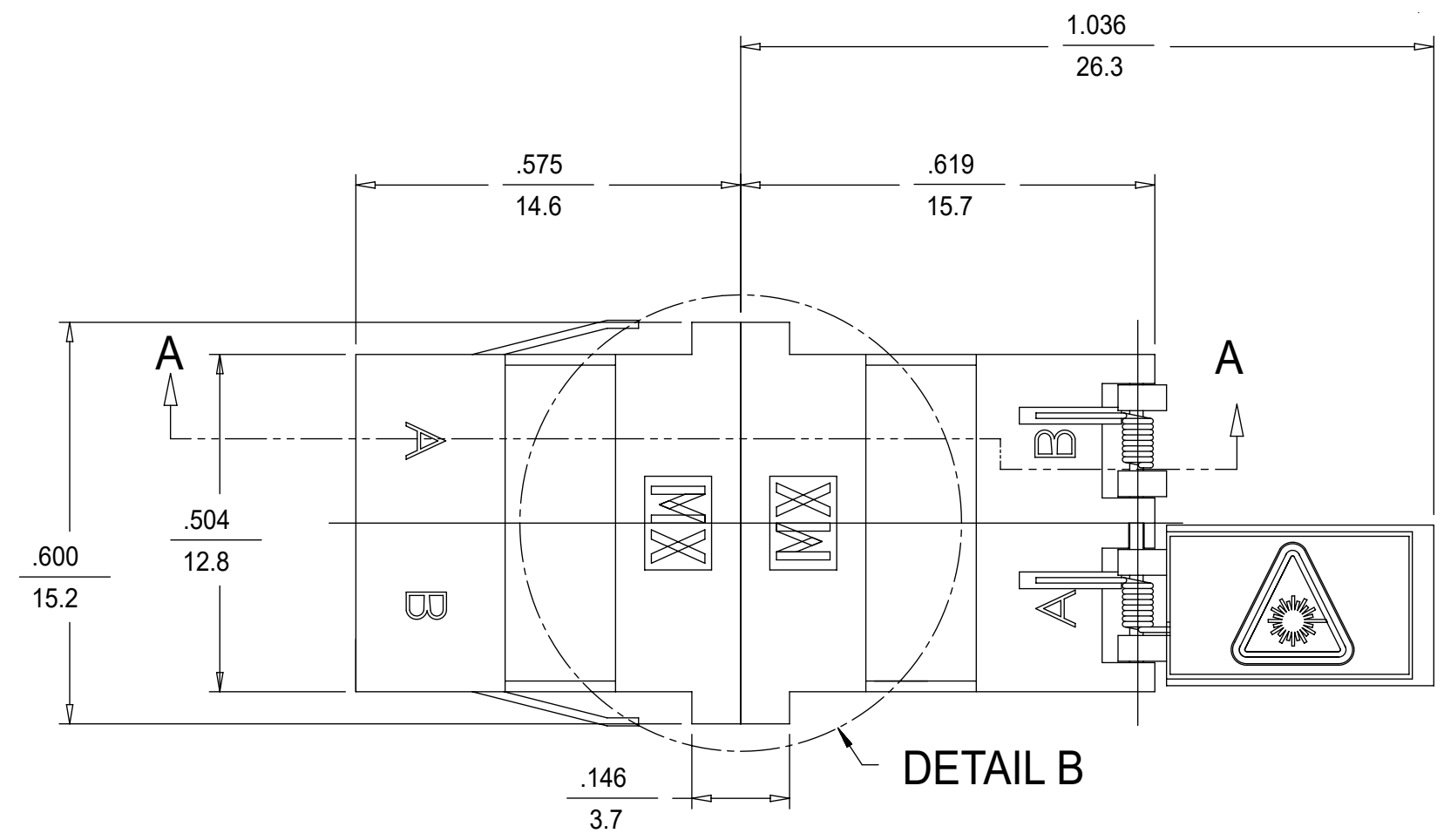
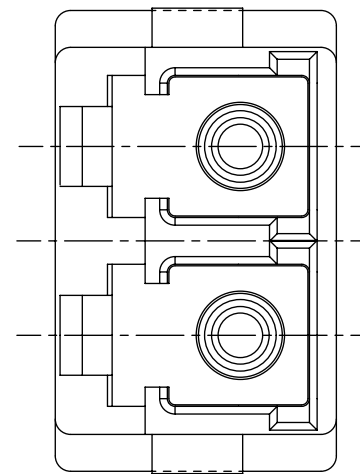
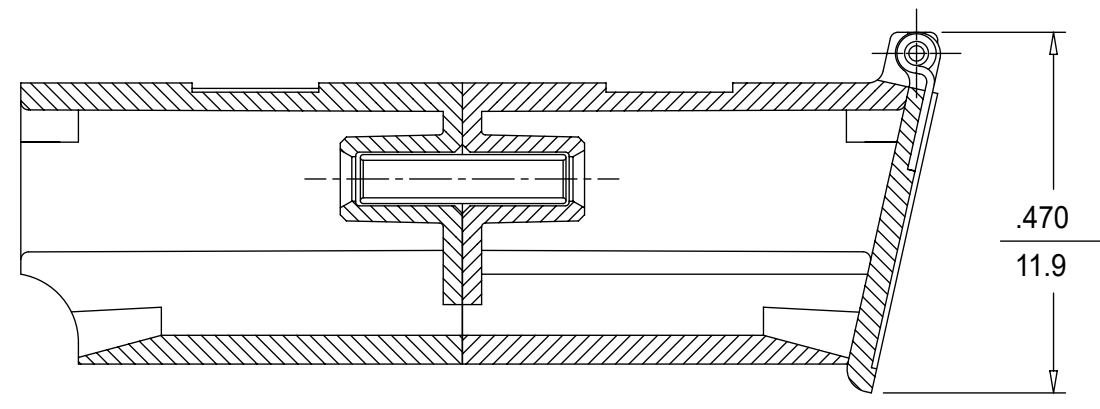


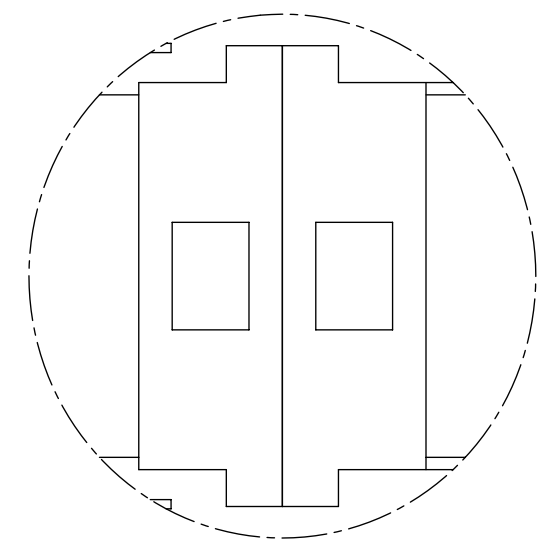
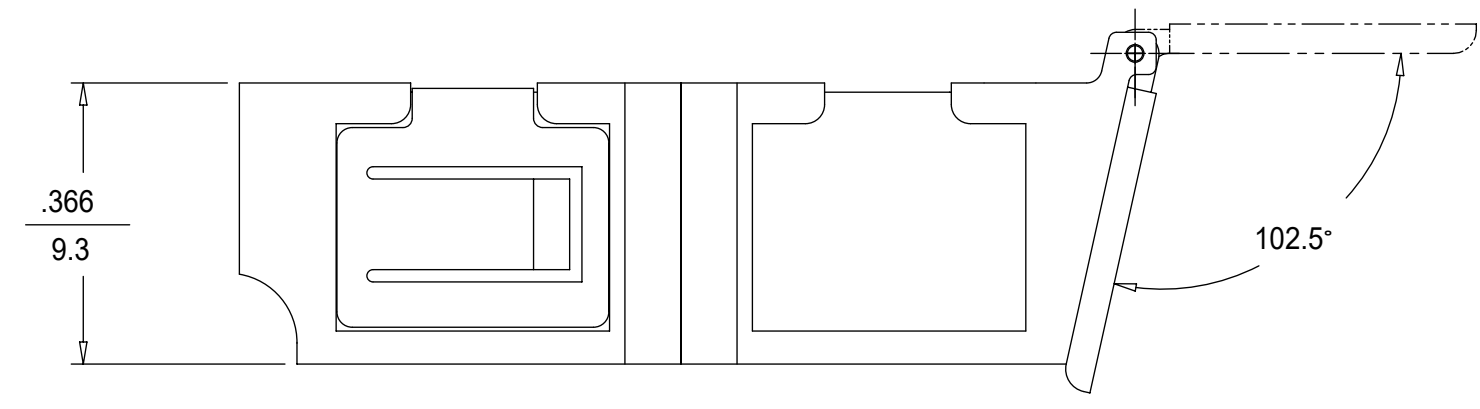
LC ADAPTER P/N	COLOR	SPLIT SLEEVE MATERIAL	LOGO
106127-1400	BLUE	ZR	MX
106127-1430*			
106127-1420 (SEE NOTE 2)			
106127-0410	BEIGE		
106127-1450	GREEN		
106127-1480 (SEE NOTE 2)			
106127-1600	BLUE/METAL DOOR	NONE	NONE
106127-0610	BEIGE/METAL DOOR		
106127-1650	GREEN/METAL DOOR		
106127-1410	BLACK	NONE	NONE
106127-9410*	AQUA		
106127-9010**	GREEN		
106198-2400	BLUE	NONE	NONE
106127-9020**	BEIGE		
106198-2410	AQUA/METAL DOOR		
106127-1610	AQUA	MX	NONE
106127-9030	AQUA	NONE	NONE



RECOMMENDED MOUNTING CUTOUT FOR .063 MAX. THICK PANEL



SECTION A-A



DETAIL B (NO LOGO VERSION)

NOTES:

- DUST CAPS ARE NOT SHOWN, BUT INCLUDED.
- FOR P/NS 106127-1420 AND 106127-1480 LASER WARNING LABEL IS SUPPLIED UNATTACHED AND SHALL BE INSTALLED BY CUSTOMER.
- P/NS 106127-9410, 106127-1950 AND 106127-1430 ARE BULK PACKED IN QUANTITIES OF 100pcs.
- P/NS 106127-9000, 106127-9010 AND 106127-9020 ARE FIRST INDIVIDUALLY PACKED IN CLEAR NON-MARKED BAGS AND THEN BULK PACKED IN QUANTITIES OF 100pcs.

THIS DRAWING CONTAINS INFORMATION THAT IS PROPRIETARY TO MOLEX ELECTRONIC TECHNOLOGIES, LLC AND SHOULD NOT BE USED WITHOUT WRITTEN PERMISSION													
FUNCTIONAL SYMBOLS		DIMENSION UNITS		SCALE		CURRENT REV DESC:							
FA = 0		INCH/MM		1:1		EC NO: 652962							
FC = 0		GENERAL TOLERANCES (UNLESS SPECIFIED)						DRWN: SKRISHNAMU01 2021/05/31					
FD = 0		ANGULAR TOL ± 0.5°						CHK'D: WCHEN 2021/08/24					
DIVISIONAL SYMBOLS		4 PLACES ±		3 PLACES ±		2 PLACES ±		1 PLACE ±		0 PLACES ±		APPR: WCHEN 2021/08/24	
		DRAFT WHERE APPLICABLE MUST REMAIN WITHIN DIMENSIONS		THIRD ANGLE PROJECTION		DRAWING		SERIES		MATERIAL NUMBER		CUSTOMER	
						C-SIZE		106127		SEE TABLE		GENERAL MARKET	
										DOCUMENT NUMBER		DOC TYPE DOC PART REVISION	
										SD-106127-YYY0		PSD 001 E	
										SHEET NUMBER		1 OF 1	