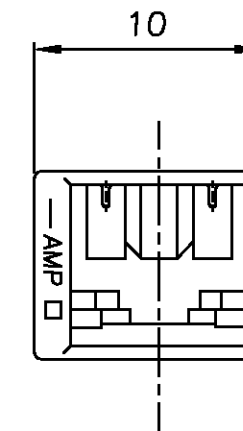
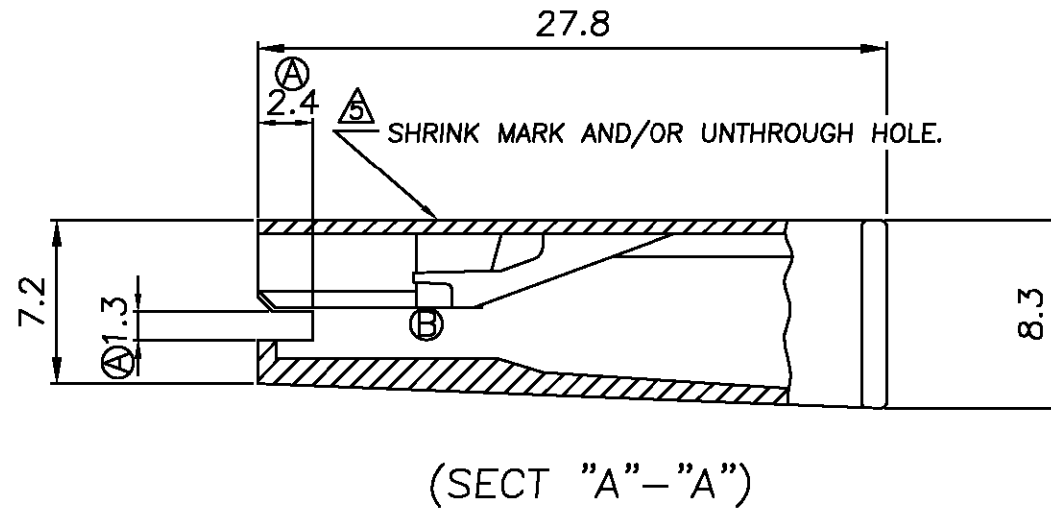
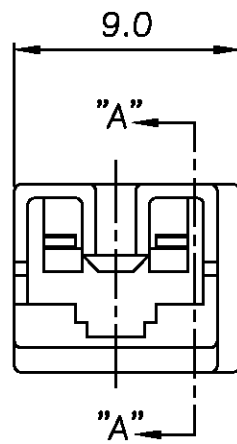


| P | LTR | DESCRIPTION | DATE | DWN | APVD |
|---|-----|---------------------------|-----------|-----|------|
| | 0 | RELEASED PER FC00-0105-02 | 9/JUL/02 | BW | CS |
| | A | REVISED PER FC00-0258-04 | 21/OCT/04 | SC | CS |
| | B | REVISED PER FC00-0320-04 | 04/JAN/05 | SC | CS |



NOTES;

1. PRODUCT SPECIFICATION 108-5127.
2. APPLICABLE CONTACT
P/N ; 170327, 170328, 170329
3. SEE CP78-26023. ABOUT APPLICABLE TAB.

▲ MATERIAL ; PBT (94V-0)

▲ THERE ARE A FEW CASES THAT SHRINK MARK AND/OR UNTHROUGH HOLE OCCURS IN THIS AREA, BUT NOT INFLUENCE TO CONN. FUNCTION.

| | |
|---------|----------|
| NATURAL | 936361-1 |
| COLOR | P/N |

| | | | | | |
|----------------------|--|---|--------------------|--------------------------------------|-----------------|
| DWN S.C.KIM | | tyco Electronics | | AMP KOREA. kyungsan, korea | |
| CHK B.W.KANG | | | | NAME "250" SERIES | |
| APVD C.S.LEE | | PRODUCT SPEC SEE NOTE | | 1 POS. POSITIVE LOCK(MARK-II)REC.HSG | |
| APPLICATION SPEC | | SIZE A3 | CAGE CODE 00779 | DRAWING NO 936361 | |
| MATERIAL SEE NOTE | | WEIGHT | | SCALE N.S | SHEET 1 OF 1 |
| DIMENSIONS: MM | | TOLERANCES UNLESS OTHERWISE SPECIFIED: | | REV B | |
| 3rd ANGLE PROJECTION | | 0 <XX<10 ± 0.2 10 <XX<30 ± 0.25 30 <XX ± 0.3 ANGLES ± 3' | | | |