



Main

| | |
|---------------------------------------|--|
| Range of Product | Telemecanique Safety light curtains XUSL |
| Accessory / separate part category | Protection accessories |
| Accessory / Separate Part Type | Protective screen |
| Product Compatibility | XUSL.E...91 |
| Accessory / separate part destination | Safety light curtain type 2 Safety light curtain type 4 |
| Height | 37.20 in (945 mm) |
| Quantity per Set | Set of 4 |

Complementary

| | |
|--|-----------------------|
| Material | Polycarbonate |
| Sensing distance reduction coefficient | 0.97 Sn |
| Net Weight | 0.84 lb(US) (0.38 kg) |

Environment

| | |
|---------------------------------------|---|
| Resistance to chemical agents | Resistant aqueous solutions Resistant alkalis Resistant detergents and cleaners Resistant to inorganic diluted acids |
| Ambient Air Temperature for Operation | 14...131 °F (-10...55 °C) 14...131 °F (-10...55 °C) |
| Ambient Air Temperature for Storage | -13...158 °F (-25...70 °C) -13...158 °F (-25...70 °C) |

Ordering and shipping details

| | |
|-----------------------|-----------------------------|
| Category | 22455-LIGHT CURTAINS - XUSL |
| Discount Schedule | DS2 |
| GTIN | 3389119618854 |
| Nbr. of units in pkg. | 1 |
| Package weight(Lbs) | 3.38 lb(US) (1.533 kg) |
| Returnability | No |
| Country of origin | IT |

Packing Units

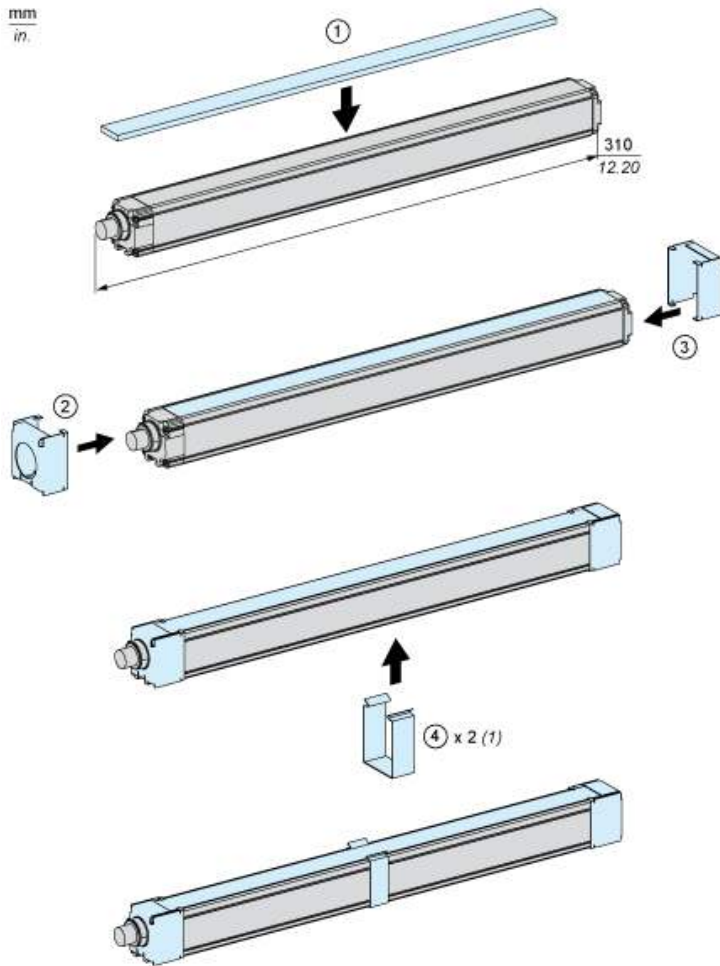
| | |
|------------------------------|-------------------------|
| Unit Type of Package 1 | PCE |
| Package 1 Height | 5.71 in (14.5 cm) |
| Package 1 width | 7.87 in (20 cm) |
| Package 1 Length | 42.13 in (107 cm) |
| Unit Type of Package 2 | P12 |
| Number of Units in Package 2 | 20 |
| Package 2 Weight | 103.62 lb(US) (47.0 kg) |
| Package 2 Height | 44.09 in (112 cm) |
| Package 2 width | 31.50 in (80 cm) |
| Package 2 Length | 47.24 in (120 cm) |

Offer Sustainability

| | |
|----------------------------|---|
| Sustainable offer status | Green Premium product |
| California proposition 65 | WARNING: This product can expose you to chemicals including: Diisononyl phthalate (DINP), which is known to the State of California to cause cancer, and Di-isodecyl phthalate (DIDP), which is known to the State of California to cause birth defects or other reproductive harm. For more information go to www.P65Warnings.ca.gov |
| REACH Regulation | REACH Declaration |
| REACH free of SVHC | Yes |
| EU RoHS Directive | Pro-active compliance (Product out of EU RoHS legal scope) EU RoHS Declaration |
| Toxic heavy metal free | Yes |
| Mercury free | Yes |
| RoHS exemption information | Yes |
| Environmental Disclosure | Product Environmental Profile |
| Circularity Profile | End Of Life Information |

Mounting and Clearance

Various Stages in the Protective Screen Assembly



(1) Depending on the length