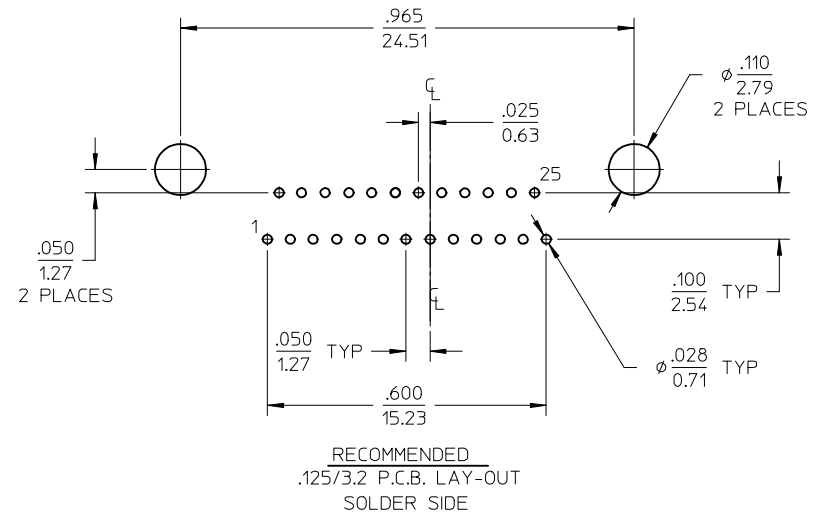
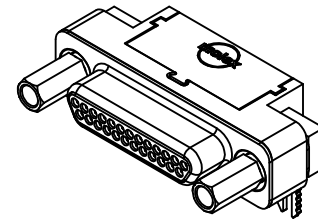
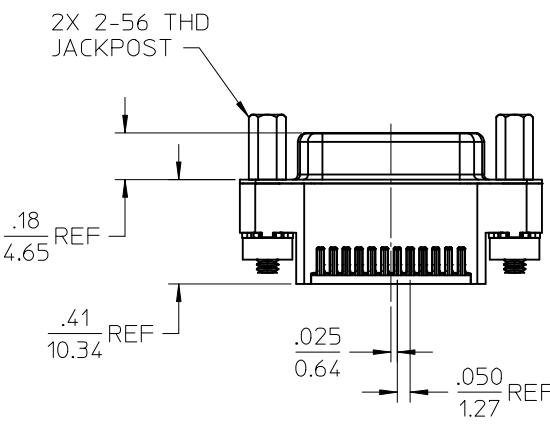
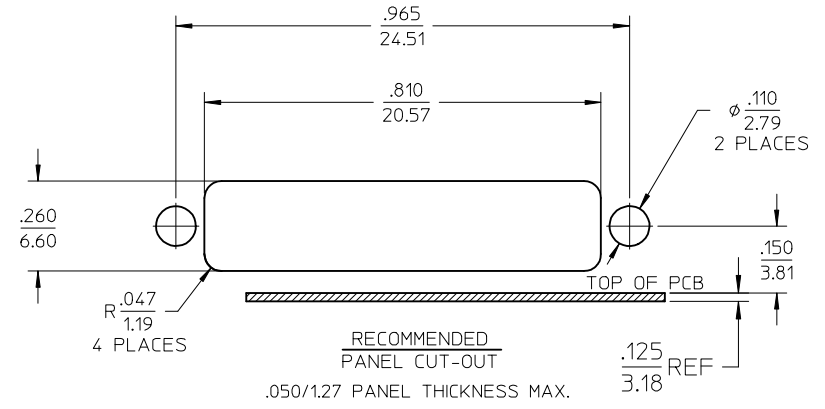
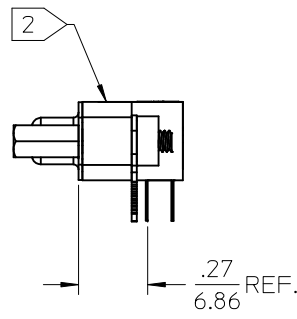
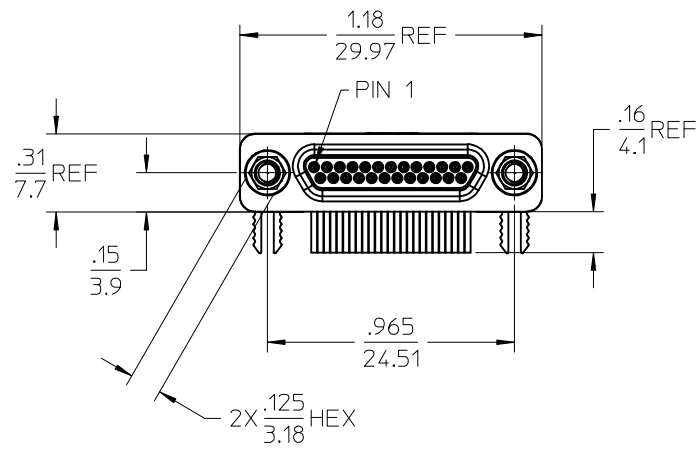


MATERIAL NO.	ENG. NO.
836149203	83614-9203



SALES DRAWING

- 5. MATES WITH MOLEX SERIES 83424 CONNECTORS
 - 4. .050/1.27 RECOMMENDED PANEL THICKNESS
 - 3. ROHS COMPLIANT
 - 2. DATE CODE LOCATION
 - 1. REFER TO PS-83421-9000 FOR PRODUCT SPECIFICATION.
- NOTES: UNLESS OTHERWISE SPECIFIED.

REL FOR PROD. EC NO: WNA2010-0183 DRWN:BRUPERT 2009/09/16 CHKD:BRUPERT 2009/10/23 APPR: JFMURPHY 2009/10/26	QUALITY SYMBOLS	GENERAL TOLERANCES (UNLESS SPECIFIED)		DIMENSION STYLE IN/MM		SCALE 2:1	DESIGN UNITS INCH	THIRD ANGLE PROJECTION	
	▽=0	mm	INCH	DRAWN BY BRUPERT	DATE 08/04/09	TITLE COMM-D,PLG,RT ANG SIZE 25,REM,JKPOST .110 THK PCB			
	∇=0	4 PLACES ± --- ± ---	3 PLACES ± --- ± .005	CHECKED BY JFMURPHY	DATE 08/04/09	MOLEX MOLEX INCORPORATED			
		2 PLACES ± 0.13 ± ---	1 PLACE ± --- ± ---	APPROVED BY JFMURPHY	DATE 2009/10/23				
	ANGULAR ± 1/2°		MATERIAL NO.		DOCUMENT NO.		SHEET NO.		
	DRAFT WHERE APPLICABLE MUST REMAIN WITHIN DIMENSIONS		SIZE A3		THIS DRAWING CONTAINS INFORMATION THAT IS PROPRIETARY TO MOLEX INCORPORATED AND SHOULD NOT BE USED WITHOUT WRITTEN PERMISSION				