

In-Wall 2-Port Gigabit PoE Switch

CyberData

The IP Endpoint Company

The CyberData In-Wall 2-Port Gigabit PoE Switch is a flush-mount version of our popular desktop device which expands a single PoE network connection into one or two PoE network ports.

Pass through PoE power

The In-Wall 2-Port Gigabit PoE Switch is powered from a single 802.3at or 802.3af network switch or power source. The power passes through to one or both of the switch ports.

In the basic configuration, one of the Gigabit ports can drive a VoIP phone directly with PoE and the other Gigabit port can be connected to a user's PC.

No external power supplies are required.

Discreet Mounting

The In-Wall mounting option protects the switch while offering a cleaner drop directly from a standard size single gang wall outlet.

Technical Features

Power

- Fully compliant to IEEE 802.3af/at standard
- 1 Power Device (PD) input port 802.3af or 802.3at
- 2 Power Source Equipment (PSE) output ports 802.3af or 802.3at (dependent on PD input)

Data

- All ports are 10/100/1000Mbps (10BASE-T, 100BASE-TX, 1000BASE-T) auto sensing based upon the port's individual connection
- Each port has auto MDI-X
- 802.11q VLAN tagging
- Automatic address learning, address aging and address migration
- Supports 9216-byte jumbo frame length

Notification

- Link/Status and connection speed LEDs

Mounting

- No punch down tool required; RJ45 connector input port



Specifications

Ethernet I/F 10/100/1000 Mbps, Auto MDI-X, RJ45

Power Distribution

Input	PD input up to 30W: <ul style="list-style-type: none">• 802.3af @ 15W• 802.3at @ 25W• Generic PoE Injector up to 30W
Internal Circuit Use	2W
Output*	Power available to share between two PSE outputs: <ul style="list-style-type: none">• 13W with 802.3af input• 23W with 802.3at input• 28W with generic 30W PoE injector input

Operating Range Temperature: -40° C to 55° C (-40° F to 131° F)
Humidity: 5-95%, non-condensing

Storage Temperature Temperature: -40° C to 70° C (-40° F to 158° F)
Storage Altitude Up to 15,000 ft. (4573 m)

Dimensions** 2.76 inches [70 millimeter] Length
3.90 inches [99 millimeter] Width
4.57 inches [116 millimeter] Height

Weight 0.56 lbs [0.25 kg]

Boxed Weight 1.0 lbs [0.54 kg]

Compliance CE: EMC Directive – Class A EN 55032, EN 55035 & EN-61000, Safety Directive EN 62368-1; RoHS Compliant; FCC Part 15 Class A; IEEE 802.3 Compliant

Warranty 2 Years Limited

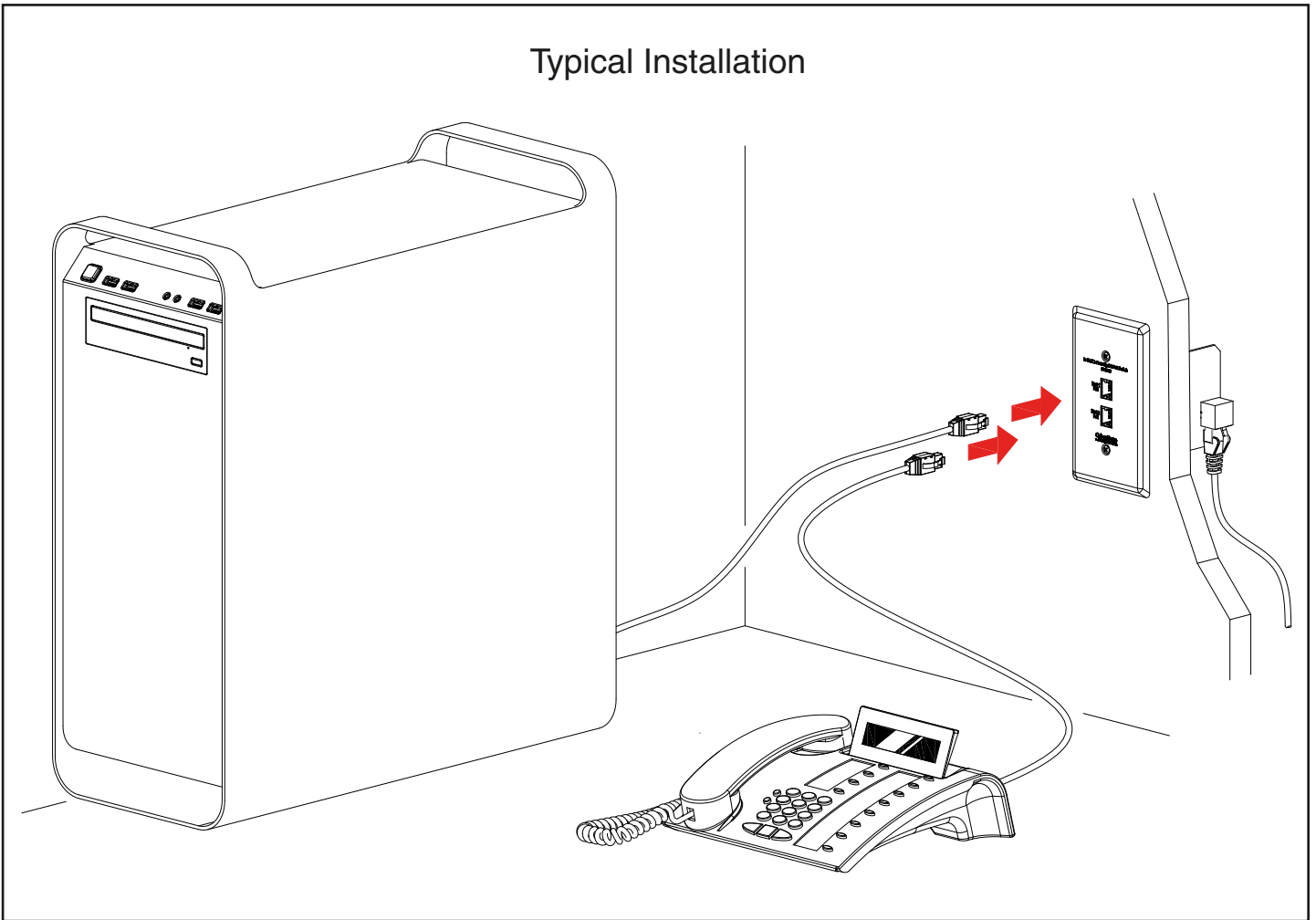
Part Number 011528

* Either one or both of the PSE outputs can provide PoE power as long as the overall PSE output wattage is 2W less than the PD input.

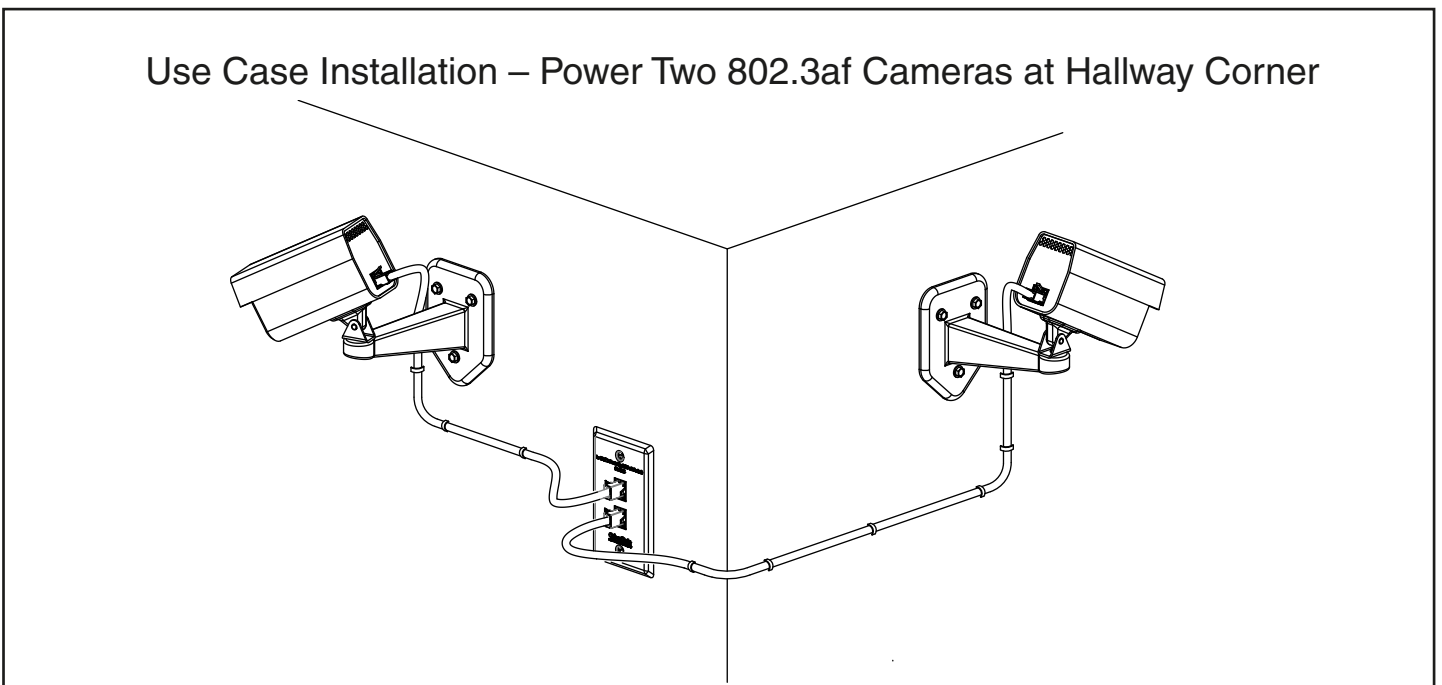
**Dimensions are measured from the perspective of the product being upright with the front of the product facing you.

In-Wall 2-Port Gigabit PoE Switch

Typical Installation

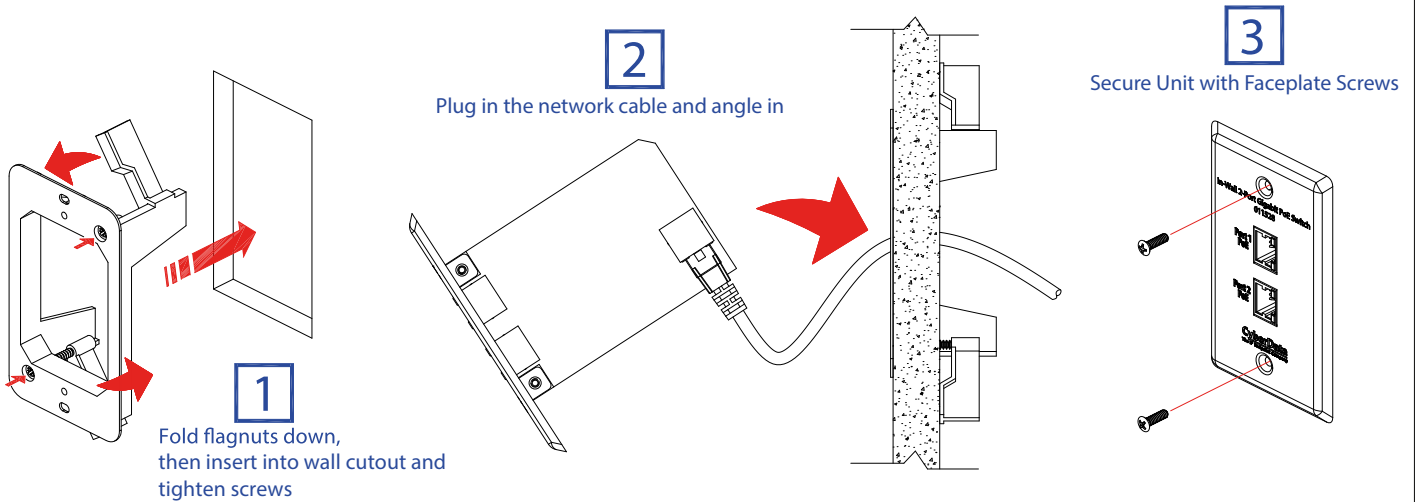


Use Case Installation – Power Two 802.3af Cameras at Hallway Corner

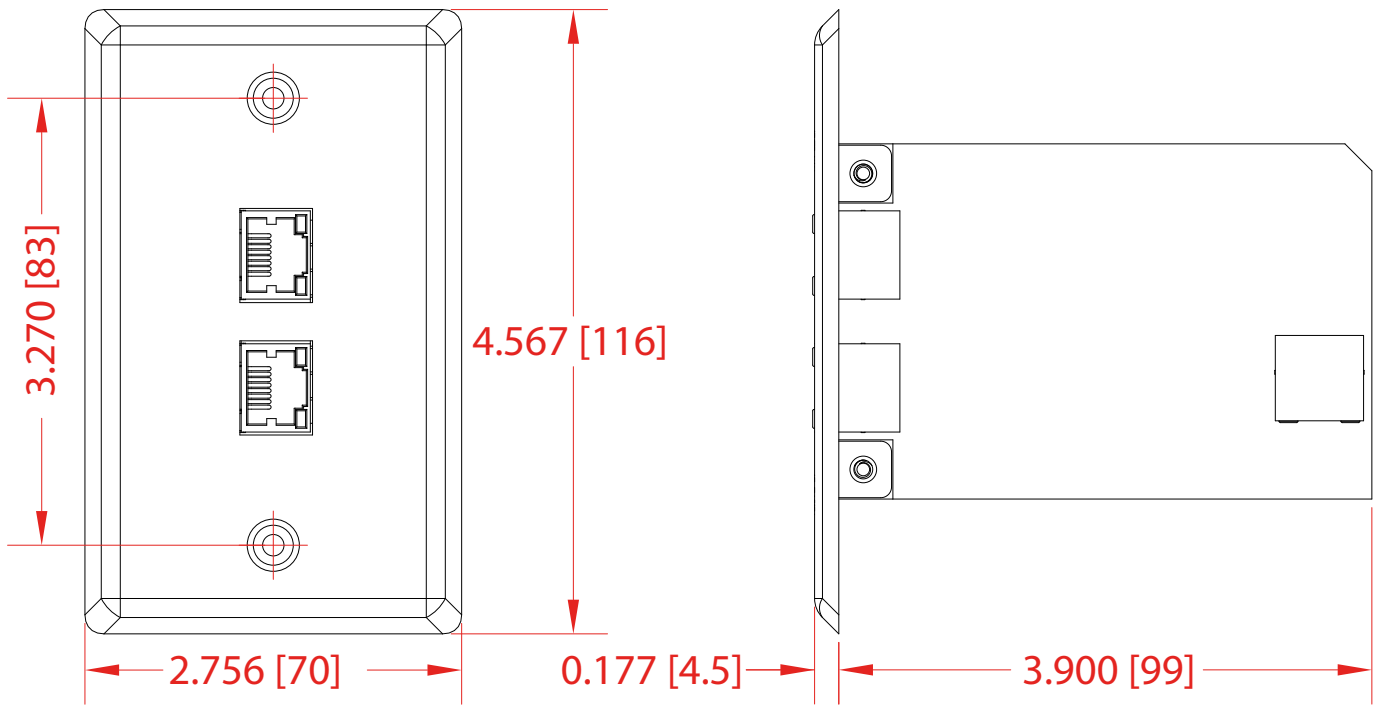


In-Wall 2-Port Gigabit PoE Switch

Typical Wall Installation



Dimensions



DIMENSIONS ARE IN INCHES [MILLIMETER]

In-Wall 2-Port Gigabit PoE Switch

Related Products:



011446 Multicast VoIP Microphone



011487 Multicast
Wall-Mount Speaker



011211 SIP Indoor Intercom



011375 Network Dual
Door Strike Relay



011376 SIP RGB
(Multi-Color) Strobe