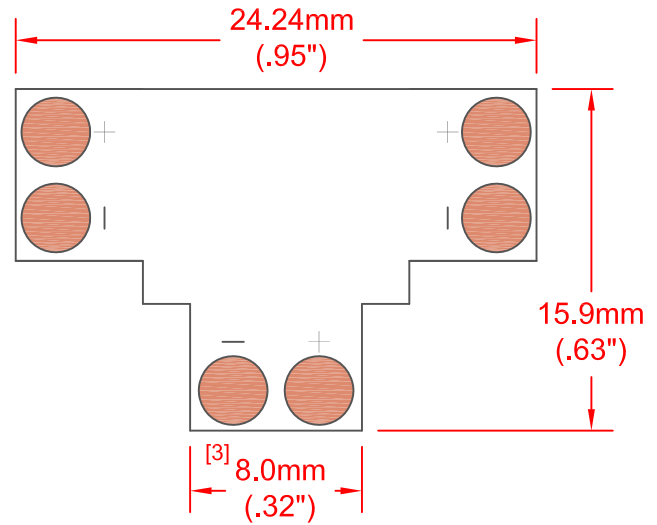




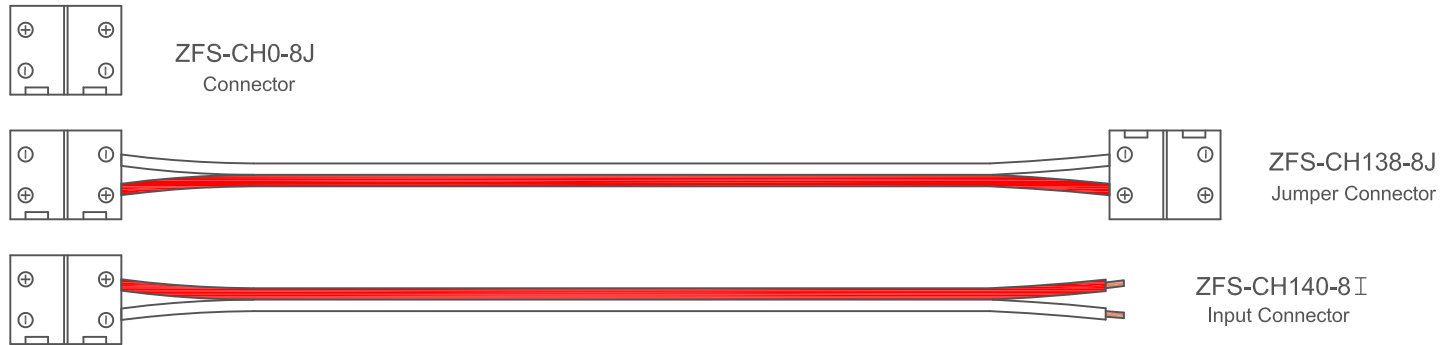
ZFS-CNT-8J



PRODUCT ASSEMBLED



MATING COMPONENTS (Order Separately)



PLEASE REFER TO JKL APPLICATION SHEET: JKL-AS-ZFS-LED FLEX SOLDERLESS CONNECTORS

NOTES:

1. LIMIT CURRENT TO A MAXIMUM OF 5 AMPS.
2. DIMENSIONS ARE REFERENCE ONLY.

JKL PART NO.: ZFS-CNT-8J

		METRIC THIRD ANGLE PROJECTION		DIMENSIONS ARE IN mm (INCHES) TOLERANCE UNLESS OTHERWISE SPECIFIED 1 PL +/- REF. 2 PL +/- REF. ANGLE +/-		JKL COMPONENTS CORPORATION									
						TITLE SOLDERLESS 8mm FLEX TAPE "T" SHAPE JOINER CONNECTOR									
RELEASED		2/5/14		DRAWN BY L. WENGSTROM		APPV'D BY L.R.		DATE 2/5/14		SIZE A		FSCM NO. 55335		DRAWING NO. ZFS-CNT-8J	
REV. NO.		DESCRIPTION/ECO NUMBER		APPV'D DATE		- CAD DRAWING - MANUAL REVISIONS NOT PERMITTED		SCALE NONE		RELEASED DATE 2/5/14		REVISION DATE		REV. NO. 1 OF 1	