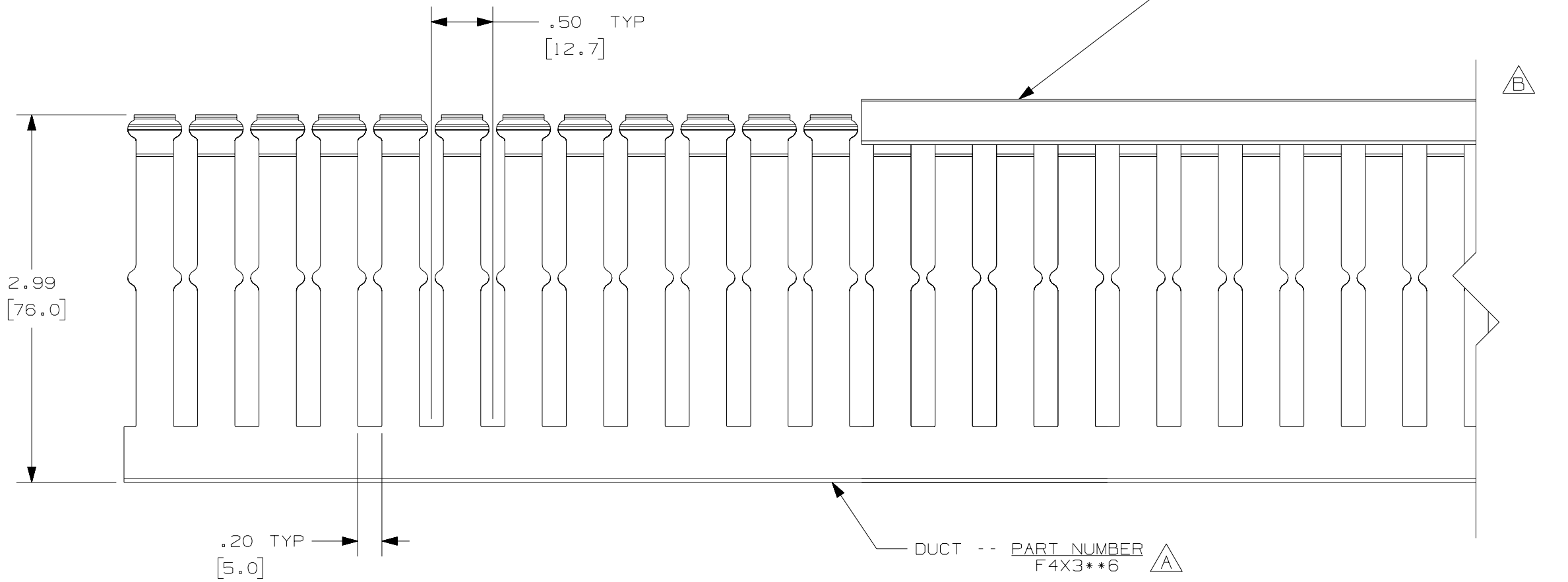
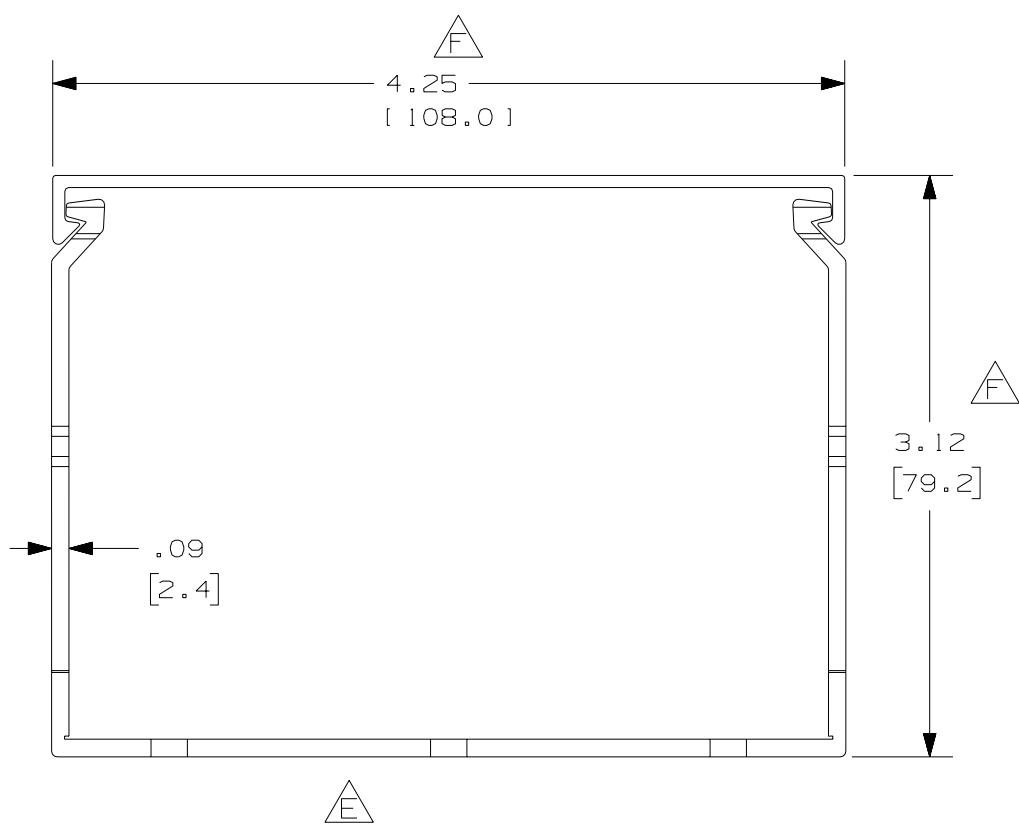
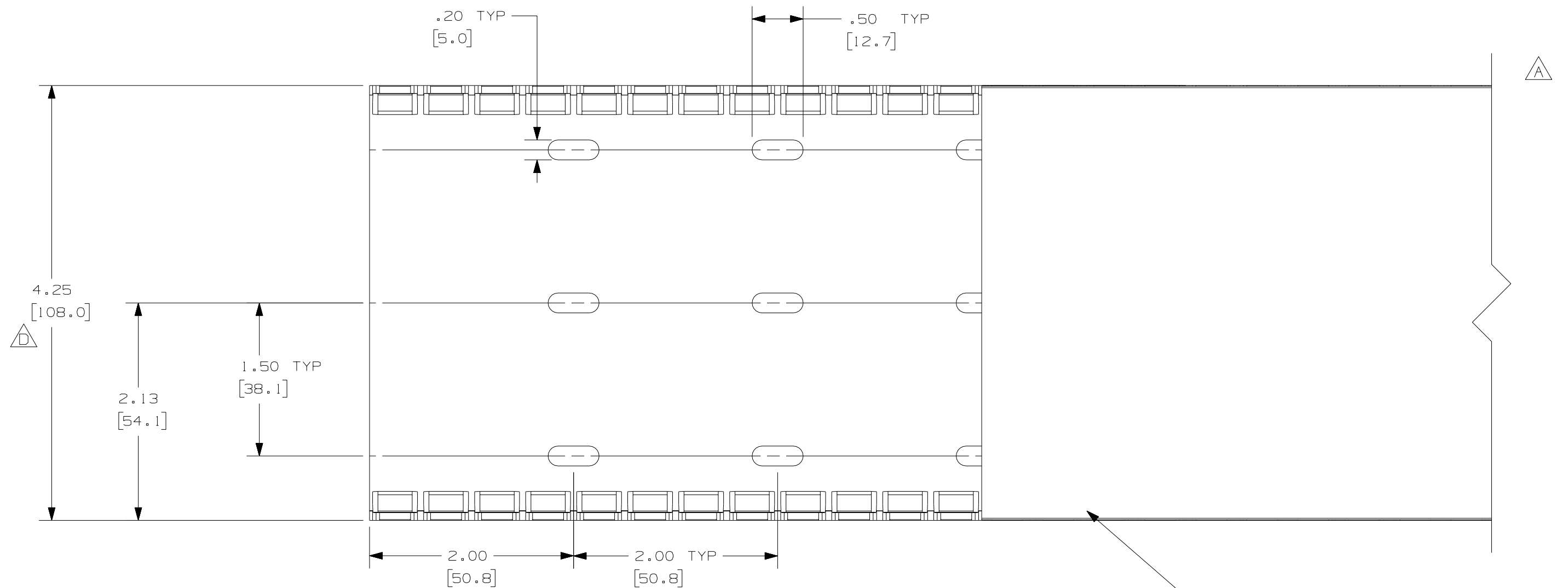


THIS COPY IS PROVIDED ON A RESTRICTED BASIS AND IS NOT TO BE USED IN ANY WAY DETRIMENTAL TO THE INTERESTS OF PANDUIT CORP.



COVER -- PART NUMBER C4**6

DUCT -- PART NUMBER F4X3**6

A G

NOTES:

1. ALL DIMENSIONS ARE REFERENCE ONLY.
2. DIMENSIONS IN PARENTHESIS ARE METRIC.
3. THE ** DENOTE COLOR.
4. DUCT AND COVER ARE AVAILABLE IN 6 FT [1828.8] LENGTHS.

REV	DATE	BY	CHK	DESCRIPTION
1	9-2-04	JCSTMKBE		B. CHANGED VIEW A. ADDED TOP VIEW, NOTES, AND LABELS
R	6-18-03	JHNU JGG		DRAWING RELEASED
2	7-23-07	JCSTMKBE		E. DELETED DIMENSION D. ADDED DIMENSION
--	-----	---	---	C. CHANGED DRAWING SIZE
--	-----	---	---	G. ADDED LENGTH NOTE F. CORRECTED DIMENSIONS

CAD FILENAME/LAYERS D11000CT_DC/00C

PANDUIT CORP. TINLEY PARK, ILLINOIS

WIRING DUCT - TYPE F DUCT WITH COVER
4X3
MARKETING DRAWING

DRWN BY JHNU	MAT'L: PVC	SCALE FULL
DATE 6-18-03		DWG NO. 36897-782
CHECKED BY JGG		SIZE C

C