

SE-CS40 SERIES

Current Sensor

CE



Description

The SE-CS40 series is a current transformer used with Littelfuse relays to detect earth-leakage current.

Specifications

| | |
|------------------------------|----------------------------|
| Turns Ratio | 800:1 |
| Current Rating | 50:0.0625 A |
| Accuracy | 3% @ 0.04 VA |
| Frequency | 50-400 Hz |
| Insulation Level | 600 V, 10 kV BIL full wave |
| Operating Temperature | -40 to 60°C (-40 to 140°F) |
| Application | SE-135, SE-145 |
| Certification | CE |
| Compliance | IEC 60044-1 |

Ordering Information

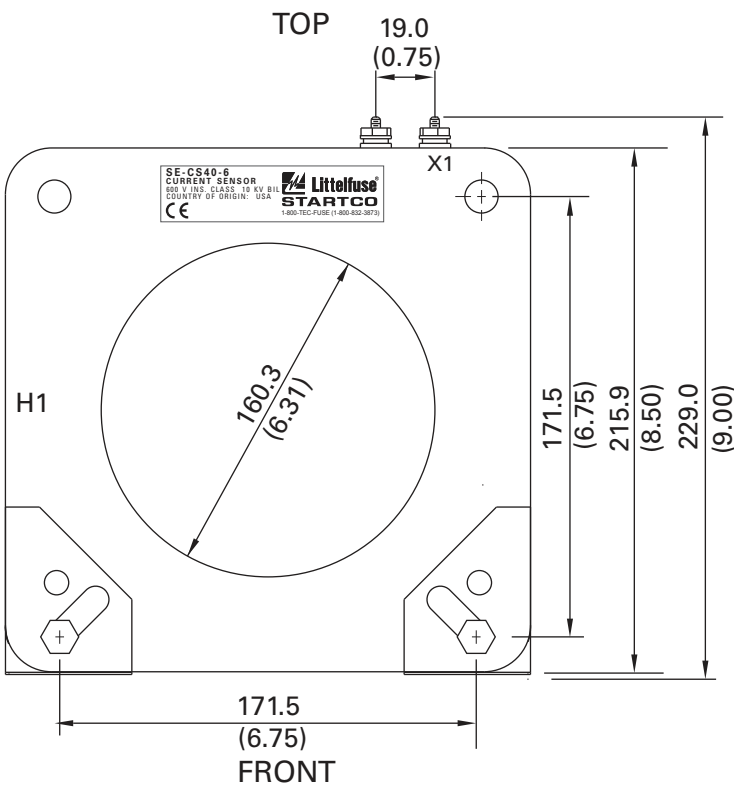
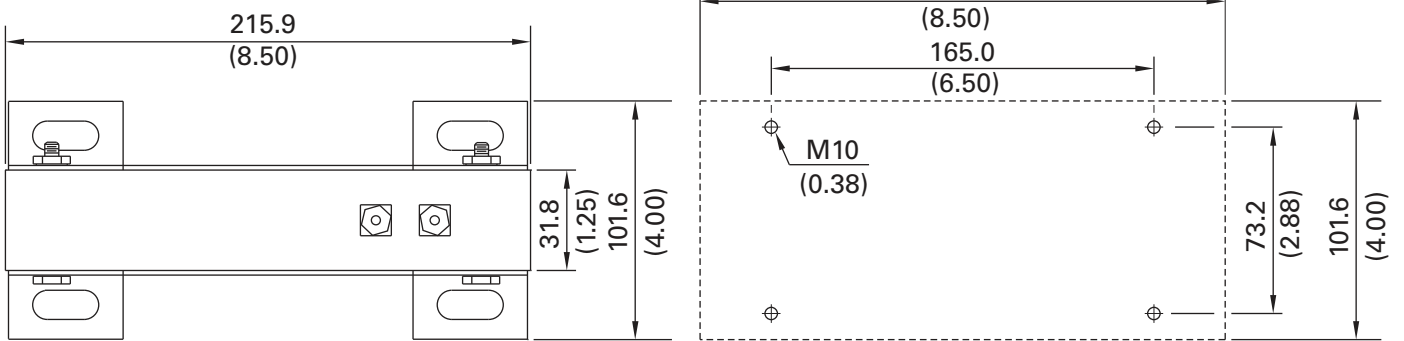
| ORDERING NUMBER | WINDOW SIZE, ID | WEIGHT |
|-----------------|------------------|---------------|
| SE-CS40-6 | 160.3 mm (6.31") | 1.8 kg (4 lb) |



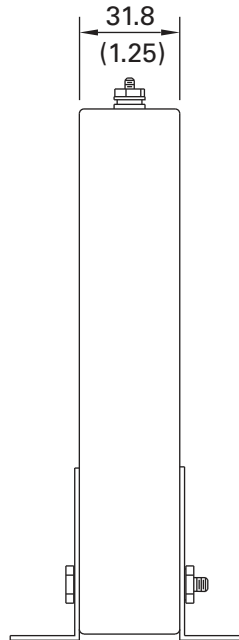
SE-CS40 SERIES

Dimensions and Mounting Diagram

SE-CS40-6



MOUNTING DETAIL



NOTES:

1. DIMENSIONS IN MILLIMETRES (INCHES).
2. RoHS COMPLIANCE PENDING.
3. EN 60044-1 COMPLIANT.