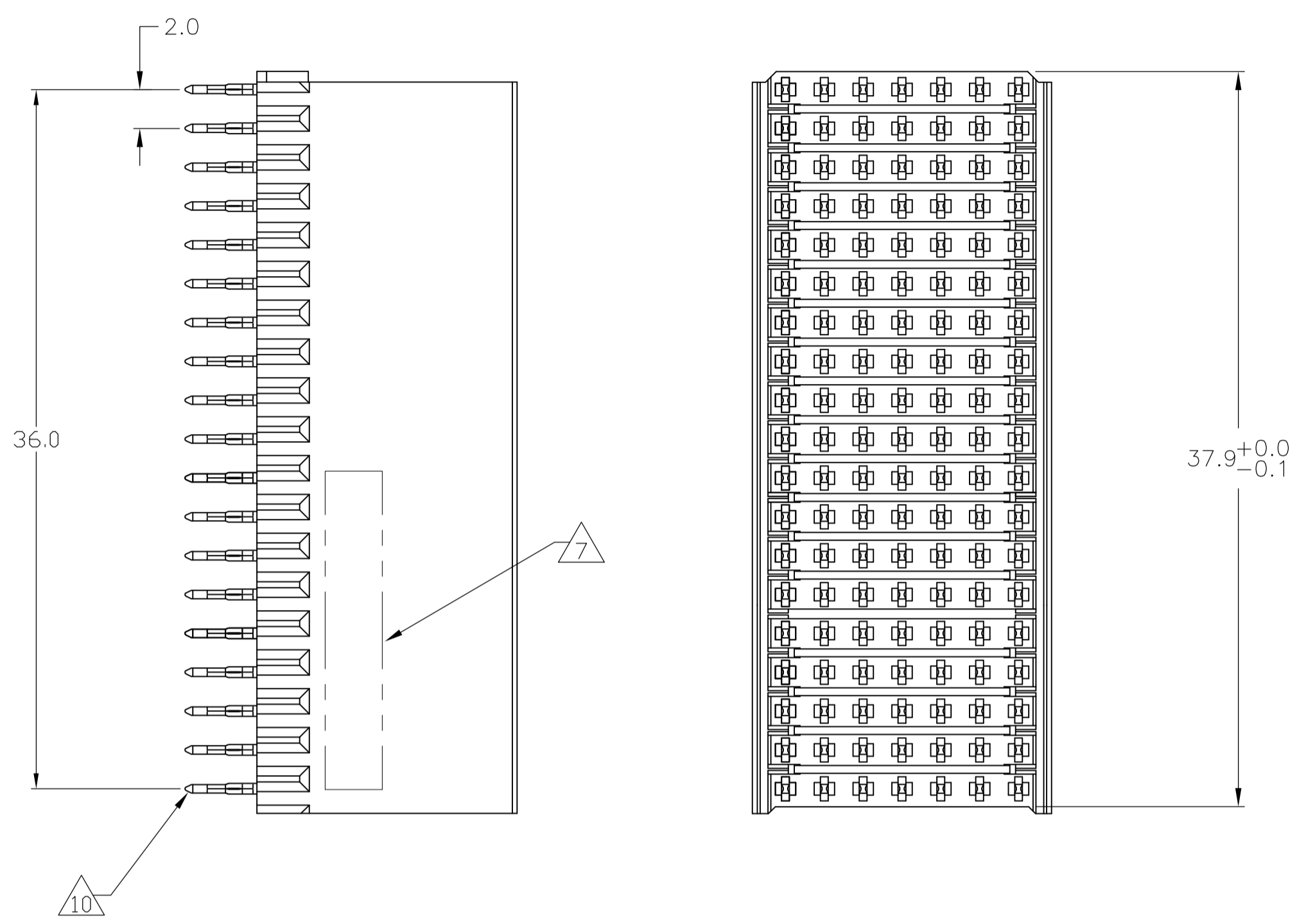
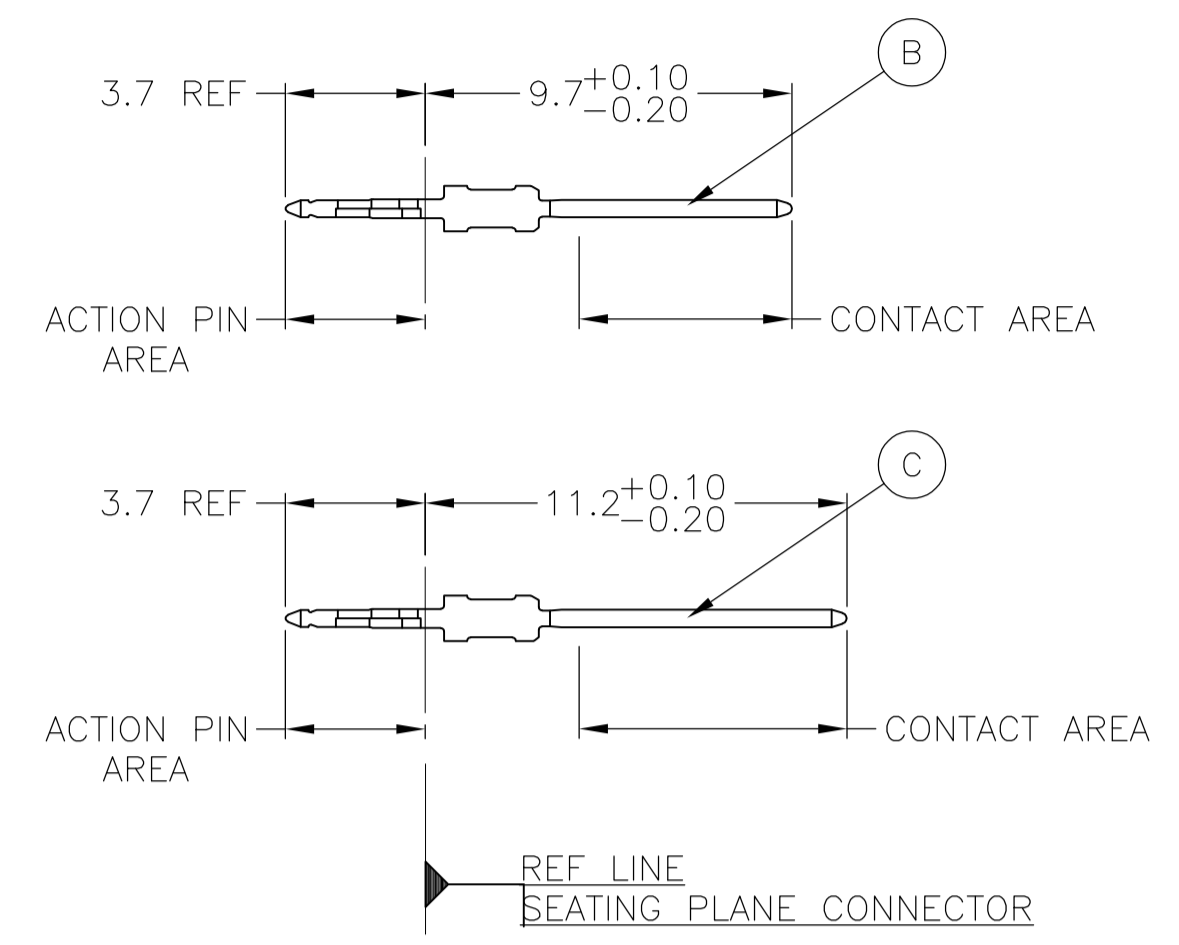


LOC		DIST		REVISIONS				
AD	00	REV	DATE	BY	CHK	APPV		
		K	18JAN2013	FL	AC			

CONNECTOR ASSEMBLY EXAMPLARY LOADED

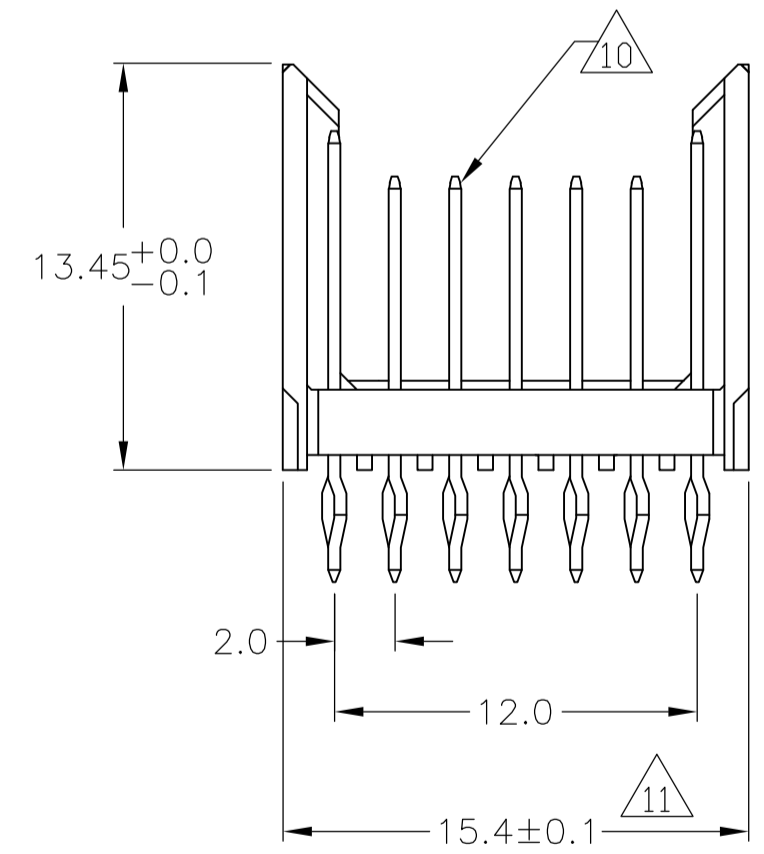


CONTACT DIMENSIONS SCALE 5:1

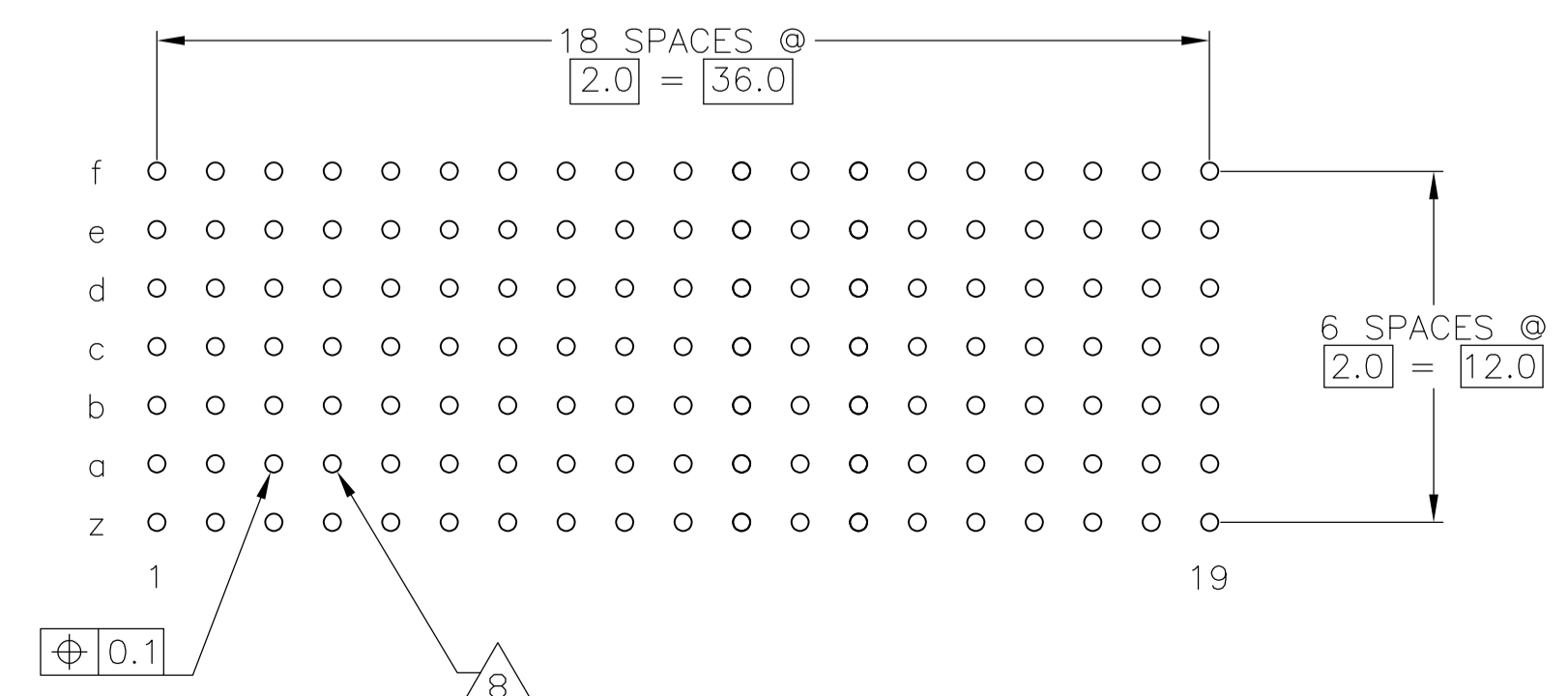


CONTACT LAYOUT

	z	a	b	c	d	e	f
1	C	B	B	B	B	B	C
2	C	B	B	B	B	B	C
3	C	B	B	B	B	B	C
4	C	B	B	B	B	B	C
5	C	B	B	B	B	B	C
6	C	B	B	B	B	B	C
7	C	B	B	B	B	B	C
8	C	B	B	B	B	B	C
9	C	B	B	B	B	B	C
10	C	B	B	B	B	B	C
11	C	B	B	B	B	B	C
12	C	B	B	B	B	B	C
13	C	B	B	B	B	B	C
14	C	B	B	B	B	B	C
15	C	B	B	B	B	B	C
16	C	B	B	B	B	B	C
17	C	B	B	B	B	B	C
18	C	B	B	B	B	B	C
19	C	B	B	B	B	B	C



RECOMMENDED PCB-HOLE LAYOUT COMPONENT SIDE SHOWN




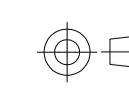
PLATED THRU HOLES PARAMETERS REFERENCE APPLICATION SPECIFICATION

2	4	15	5-352033-0
2	3	13	3-352033-1
2	5	12,13	3-352033-0
2	6	12	1-352033-9
2	5	12	3-352033-9
2	4		352033-4
2	3		352033-1
FINISH			PART NUMBER

THIS DRAWING IS A CONTROLLED DOCUMENT.		DIN B CARBO 13DEC05		G.SKIPPER 13DEC05		G.SKIPPER 13DEC05		NAME	
DIMENSIONS: mm		TOLERANCES UNLESS OTHERWISE SPECIFIED:		APVD G.SKIPPER 13DEC05		PRODUCT SPEC		MALE ASSEMBLY, Z-PACK 2mm HM, TYPE B	
0-PLC ±		1-PLC ±0.1		108-19082		APPLICATION SPEC		SIZE CAGE CODE DRAWING NO	
1-PLC ±		2-PLC ±		114-19029		WEIGHT		A1 00779 C=352033	
2-PLC ±		3-PLC ±		CUSTOMER DRAWING		SCALE 4:1		SHEET 1 OF 2	
3-PLC ±		4-PLC ±						REV K	
ANGLES		SEE TABLE							

LOC		DIST		REVISIONS			
P	LTR	DESCRIPTION	DATE	DN	APVD		
-	-	SEE SHEET 1	-	-	-	-	-

- 1 MATERIAL:
CONTACT: PHOSPHOR BRONZE.
HOUSING: GLASS-FILLED POLYESTER.
- 2 GENERAL PLATING SPECIFICATION: UNDERPLATING
(ENTIRE CONTACT): 1.27µm MIN NICKEL AND ACTION
PIN: 0.5µm MIN TIN\LEAD.
FOR PLATING OF MATING SURFACES SEE APPLICABLE
SPECIFICATION REFERENCE FOR EACH DASH NUMBER.
- 3 CONFORMS TO ALL TESTING ACCORDING TO IEC 61076-4-101
PERFORMANCE LEVEL 2.
- 4 CONFORMS TO ALL TESTING ACCORDING TO IEC 61076-4-101
PERFORMANCE LEVEL 1.
- 5 CONNECTOR TESTED AND QUALIFIED AGAINST TELCORDIA GR-1217-CORE QUALITY LEVEL 3,
CENTRAL OFFICE APPLICATIONS.
- 6 CONNECTOR TESTED AND QUALIFIED AGAINST TELCORDIA GR-1217-CORE QUALITY LEVEL 3,
UNCONTROLLED ENVIROMENT APPLICATIONS.
- 7 CONNECTOR MARKED WITH PART NUMBER AND DATE CODE.
ADDITIONAL CHARACTERS OR MARKINGS, AS WELL AS THE LOCATION OF THE MARKINGS,
MAY BE ADDED FOR TRACEABILITY BASED UPON MANUFACTURERS DISCRETION.
- 8 PLATED-THROUGH HOLES AT 2x2mm SQUARE GRID
PATTERN DEFINED BY CONTACT LAYOUT.
- 9 FOR ACTUAL PIN LOADING SEE "CONTACT LAYOUT".
- 10 FOR ACTUAL PIN DIMENSIONS SEE "CONTACT DIMENSIONS".
- 11 TO BE MEASURED AT BOTTOM OF SHROUD.
- 12 CONNECTOR LUBRICATED WITH BELCORE APPROVED LUBRICANT,
TECHNICAL REFERENCE: TR-NWT-001217 ISSUE 1, SEP 1992.
- 13 0.76µm MIN GOLD PLATING AT MATING SURFACES.
- 14 OBSOLETE PARTS: OBSOLETE CIS STREAMLINING PER D.RENAUD/D.SINISI
- 15 1.27µm MIN GOLD PLATING AT MATING SURFACES.

THIS DRAWING IS A CONTROLLED DOCUMENT.		DIN E CARBO 13DEC05	 TE Connectivity		
		CIK G SKIPPER 13DEC05			
DIMENSIONS: mm	TOLERANCES UNLESS OTHERWISE SPECIFIED:	APVD G SKIPPER 13DEC05	NAME	MALE ASSEMBLY, Z-PACK 2mm HM, TYPE B	
	0-PLC ± 1-PLC ±0.1 2-PLC ± 3-PLC ± 4-PLC ± ANGLES ±	PRODUCT SPEC 108-19082	APPLICATION SPEC 114-19029	SIZE	A1
MATERIAL SEE SHEET 1	FINISH SEE SHEET 1	WEIGHT -	CAGE CODE 00779	DRAWING NO 352033	RESTRICTED TO -
CUSTOMER DRAWING			SCALE	4:1	SHEET 2 OF 2 REV K