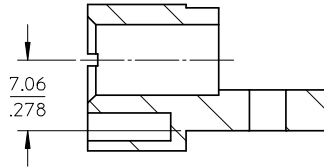
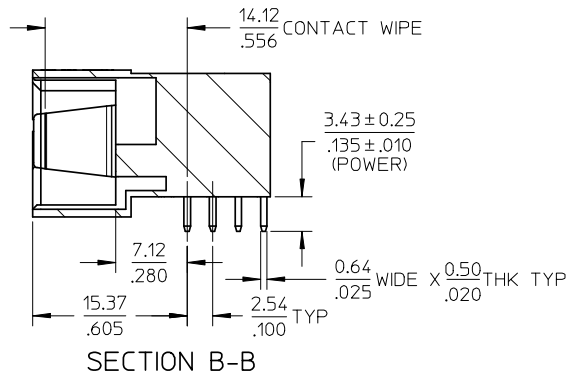


- NOTES:
1. MATERIALS: HOUSING - LCP, GLASS FILLED, UL94V-0, COLOUR: BLACK  
POWER PINS - COPPER ALLOY  
SIGNAL PINS - COPPER ALLOY
  2. FINISHES: POWER & SIGNAL PINS:  
SELECTIVE GOLD IN CONTACT AREA.  
THICKNESS= 0.76 MICROMETER/ 30 MICROINCH MINIMUM  
SELECTIVE TIN ALLOY IN THE PC TAIL AREA  
THICKNESS= 2.54 MICROMETER/100 MICROINCH MINIMUM WITH  
1.27 $\mu$ m MINIMUM NICKEL UNDERPLATE OVERALL.
  3. PRODUCT SPECIFICATION: PS-87805-006.
  4. SEE SHEET 2 FOR RECOMMENDED PCB LAYOUT AND THICKNESS.
    - 5 COMPONENT STAY AWAY ZONE FROM CONNECTOR.
    - 6 MANUFACTURER LOGO, PART NUMBER AND YEAR-WEEK CODE.
    - 7 PCB NOTE FOR DIAMETER 1.02/.040 PLATED HOLE.
      - DRILLED HOLE SIZE IS 1.151/.0453.
      - PLATED WITH 0.007/.0003 MINIMUM TIN OVER 0.03/.001 TO 0.08/.003 COPPER PLATING TO ACHIEVE 1.02 $\pm$ 0.08/.040 $\pm$ .003 HOLE.
  8. 4P ALPHA- 24 SIGNAL-2P BETA CONFIGURATION IS SHOWN FOR ILLUSTRATION.

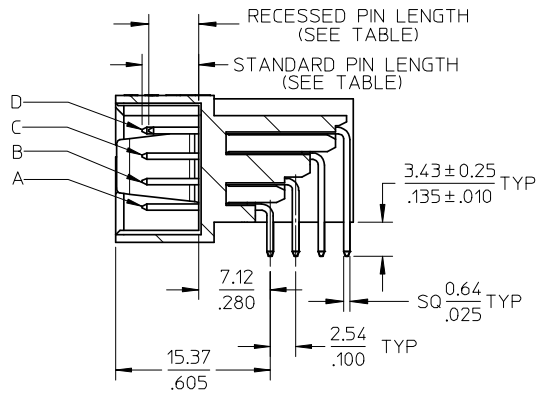
PDR#S-001793-00-00 EC NO: S2008-0944 DRWNS:SKANG 2008/05/06 CHKD:ATSEE 2008/05/07 APPR:MLONG 2008/05/07	QUALITY SYMBOLS	GENERAL TOLERANCES (UNLESS SPECIFIED)	DIMENSION STYLE		SCALE	DESIGN UNITS	THIRD ANGLE PROJECTION
	$\blacktriangledown = 0$ $\triangle = 0$		MM/IN	NTS	METRIC		
REV	DESCRIPTION	4 PLACES	mm	DATE	TITLE		
D2		3 PLACES	INCH	2003/05/27	POWER CONNECTOR HEADER		
		2 PLACES		DATE	P(A)-S-P(B) CONFIG.		
		1 PLACE		2003/06/11	R/A, T/H, .200 VERSION		
				DATE	MOLEX INCORPORATED		
				2003/06/13	SD-87805-010		
					SHEET NO. 1 OF 3		
					THIS DRAWING CONTAINS INFORMATION THAT IS PROPRIETARY TO MOLEX INCORPORATED AND SHOULD NOT BE USED WITHOUT WRITTEN PERMISSION		



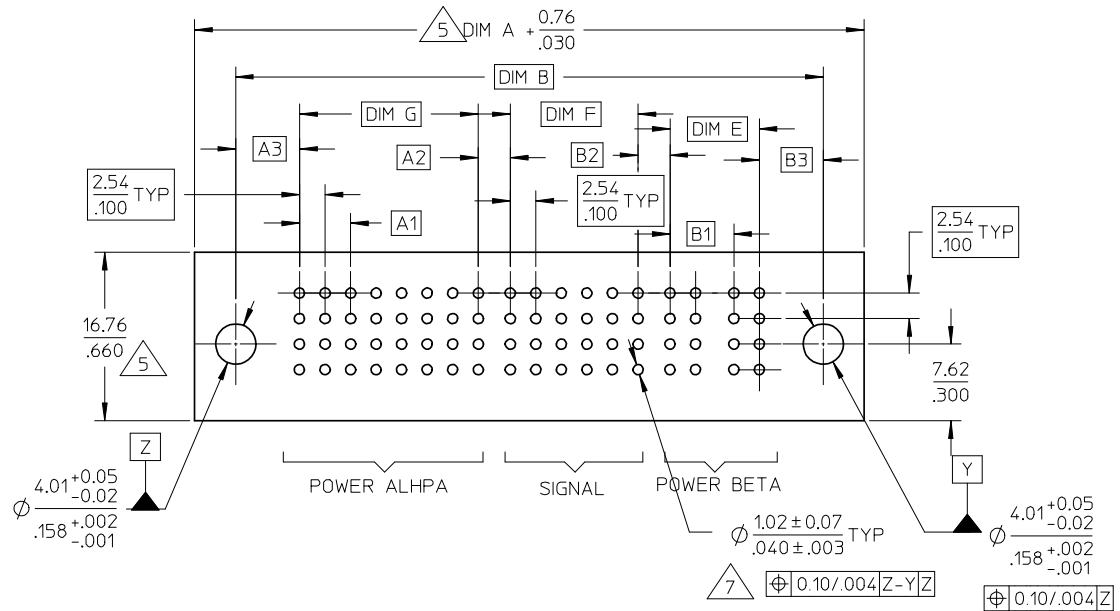
SECTION A-A



SECTION B-B



SECTION C-C



PDR#S-001793-00-00 EC NO: S2008-0944 DRWN:SKANG CHKD:ATSEE APPR:MLONG	2008/05/06 2008/05/07 2008/05/07	DESCRIPTION REV	QUALITY SYMBOLS ▽=0 □=0	GENERAL TOLERANCES (UNLESS SPECIFIED) mm INCH 4 PLACES ± --- ± --- 3 PLACES ± --- ± .010 2 PLACES ± 0.25 ± --- 1 PLACE ± --- ± --- ANGULAR ± 3 °	DIMENSION STYLE MM/IN DRAWN BY DATE BHLW 2003/05/27 CHECKED BY DATE PTLIM 2003/06/11 APPROVED BY DATE SKTOH 2003/06/13 MATERIAL NO. SEE TABLE	SCALE NTS DESIGN UNITS METRIC THIRD ANGLE PROJECTION	TITLE POWER CONNECTOR HEADER P(A)-S-P(B) CONFIG. R/A, T/H, .200 VERSION MOLEX INCORPORATED DOCUMENT NO. SD-87805-010	SHEET NO. 2 OF 3
	D2	DRAFT WHERE APPLICABLE MUST REMAIN WITHIN DIMENSIONS	SIZE A3	THIS DRAWING CONTAINS INFORMATION THAT IS PROPRIETARY TO MOLEX INCORPORATED AND SHOULD NOT BE USED WITHOUT WRITTEN PERMISSION	MOLEX	MOLEX INCORPORATED	MOLEX INCORPORATED	MOLEX INCORPORATED

PART NUMBER	P-S-P CONFIGURATION			DIM A	DIM B	DIM C	DIM D	DIM E	DIM F	DIM G	STANDARD SIGNAL PIN LENGTH	RECESSED SIGNAL PIN		POWER ALPHA				POWER BETA				PACKAGING
	POWER ALPHA	SIGNAL	POWER BETA									LENGTH	LOCATION	A1	A2	A3	A4	B1	B2	B3	B4	
87805-4001	4	24	2	66.04 2.600	58.42 2.300	57.15 2.250	43.18 1.700	8.89 .350	12.70 .500	17.78 .700	6.86/.270	5.59/.220	A6, B3	5.08	3.18	6.35	6.98	6.35	3.18	6.35	6.98	TRAY
87805-4002	4	28	4	77.47 3.050	69.85 2.750	68.58 2.700	54.61 2.150	17.78 .700	15.24 .600	17.78 .700	6.86/.270	5.59/.220	B4	5.08	3.18	6.35	6.98	5.08	3.18	6.35	6.98	TRAY
87805-4007	3	20	3	62.33 2.450	54.61 2.150	53.34 2.100	39.37 1.550	12.70 .500	10.16 .400	12.70 .500	6.86/.270	NIL	NIL	5.08	3.18	6.35	6.98	5.08	3.18	6.35	6.98	TRAY
87805-4008	2	24	2	54.61 2.150	47.00 1.850	45.72 18.00	31.76 1.250	7.62 .300	12.70 .500	7.62 .300	6.86/.270	5.59/.220	A1,A2,B1, B2,D1,D2	5.08	3.18	6.35	6.98	5.08	3.18	6.35	6.98	TRAY
87805-4009	2	16	2	49.53 1.950	41.91 1.650	40.64 1.600	26.68 1.050	7.62 .300	7.62 .300	7.62 .300	6.86/.270	5.59/.220	B3	5.08	3.18	6.35	6.98	5.08	3.18	6.35	6.98	TRAY
87805-4010	4	24	4	74.93 2.950	67.31 2.650	66.04 2.600	52.08 2.050	17.78 .700	12.70 .500	17.78 .700	6.86/.270	5.59/.220	A1,C1,C2, D1,D2,D6	5.08	3.18	6.35	6.98	5.08	3.18	6.35	6.98	TRAY
87805-4012	3	20	10	104.14 4.100	96.52 3.800	95.25 3.750	80.65 3.175	48.26 1.900	10.16 .400	17.78 .700	6.86/.270	5.59/.220	A1	7.62	3.81	6.98	7.62	5.08	3.18	6.35	6.98	TRAY
87805-4014	4	12	4	67.31 2.650	59.69 2.350	58.42 2.300	44.46 1.750	17.78 .700	5.08 .200	17.78 .700	6.86/.270	5.59/.220	C2	5.08	3.18	6.35	6.98	5.08	3.18	6.35	6.98	TRAY



PDR#S-001793-00-00 EC NO: S2008-0944 DRWN:SKANG CHKD:ATSEE APPR:MLONG	2008/05/06 2008/05/07 2008/05/07	DESCRIPTION REV	QUALITY SYMBOLS	GENERAL TOLERANCES (UNLESS SPECIFIED)	DIMENSION STYLE	SCALE	DESIGN UNITS	THIRD ANGLE PROJECTION
			$\nabla = 0$ $\nabla \square = 0$	mm      INCH	MM/IN	NTS	METRIC	$\odot \square$
			4 PLACES $\pm$ --- $\pm$ --- 3 PLACES $\pm$ --- $\pm$ .010 2 PLACES $\pm$ 0.25 $\pm$ --- 1 PLACE $\pm$ --- $\pm$ --- ANGULAR $\pm$ 3 °	DRAWN BY      DATE BHLW      2003/05/27 CHECKED BY      DATE PTL IM      2003/06/11 APPROVED BY      DATE SKTOH      2003/06/13	TITLE POWER CONNECTOR HEADER P(A)-S-P(B) CONFIG. R/A, T/H, .200 VERSION			
			DRAFT WHERE APPLICABLE MUST REMAIN WITHIN DIMENSIONS	MATERIAL NO. SEE TABLE SIZE A3	MOLEX INCORPORATED DOCUMENT NO. SD-87805-010	SHEET NO. 3 OF 3		