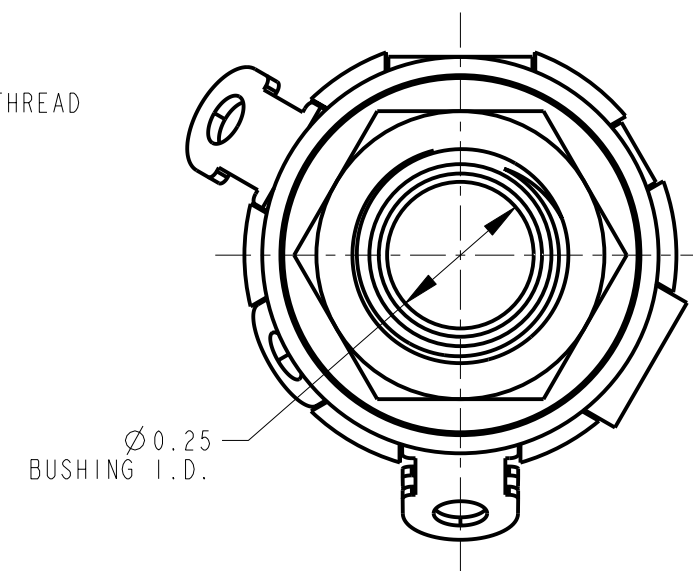
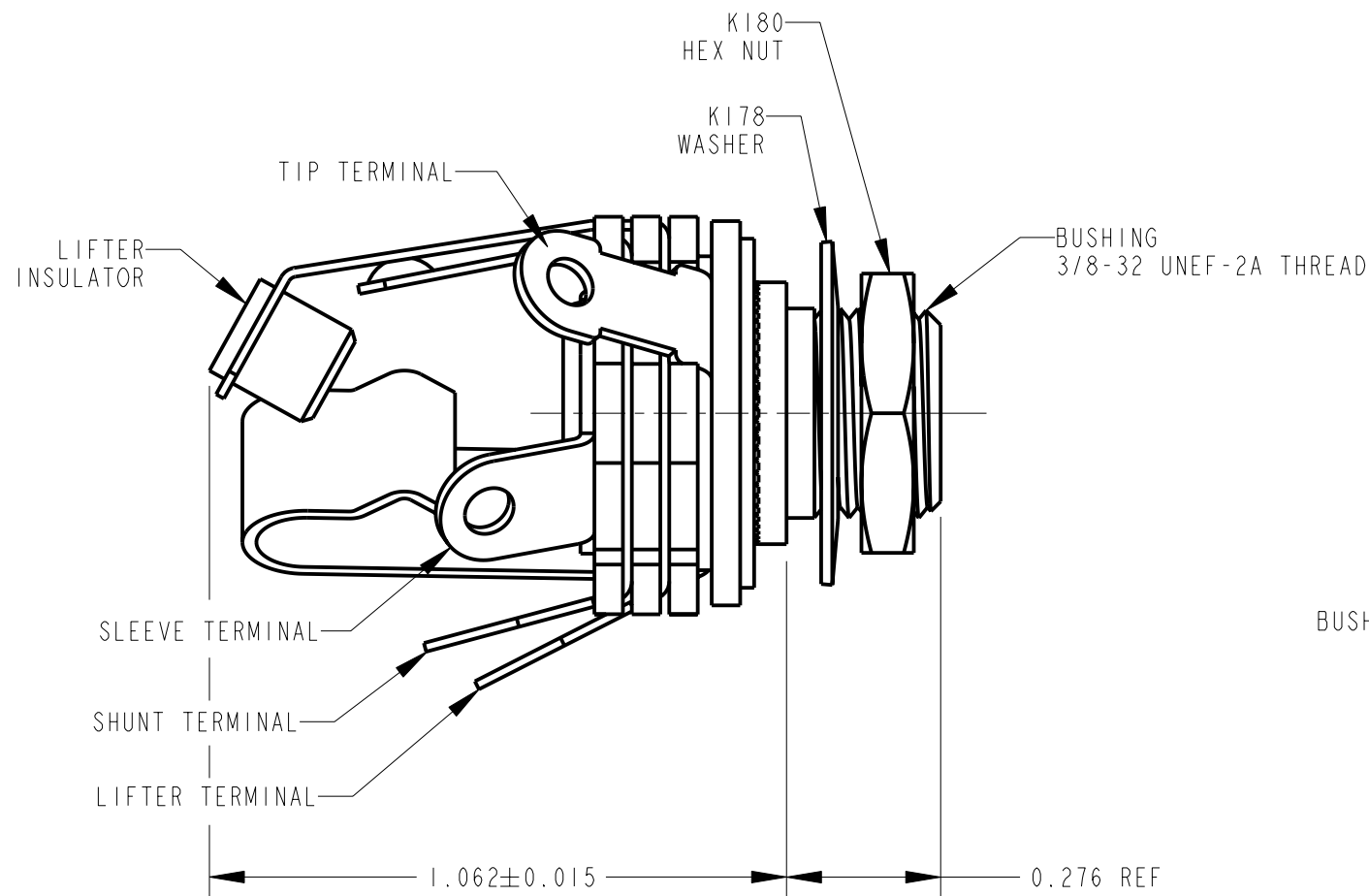
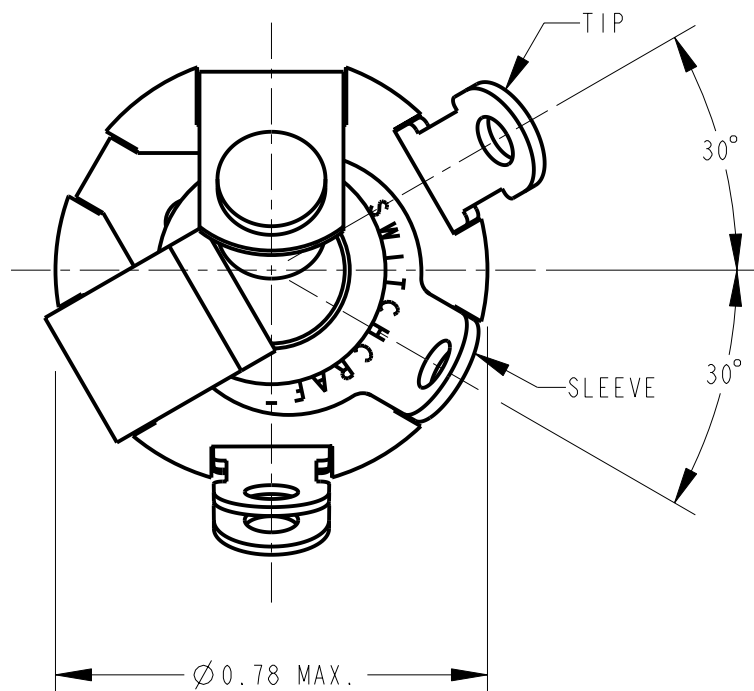


SCHMATIC



NOTES:

- MATERIALS:  
 BUSHING - COPPER ALLOY, NICKEL PLATED  
 SLEEVE TERMINAL - COPPER ALLOY, HOT TINNED  
 SPRINGS - SPECIAL COPPER ALLOY  
 INSULATING WASHERS - PHENOLIC  
 LIFTER INSULATOR - THERMOPLASTIC  
 METAL WASHERS - STEEL, NICKEL PLATED  
 HEX NUT - COPPER ALLOY, NICKEL PLATED
- HARDWARE SHIPPED UNASSEMBLED.
- TYPICAL MATING PLUG: SWITCHCRAFT #250
- THIS PRODUCT IS RoHS COMPLIANT.

CUSTOMER DRAWING

					★ STAR SYMBOL DENOTES CRITICAL DIMENSION	THIS DRAWING DESCRIBES A DESIGN CONSIDERED PROPRIETARY IN NATURE, DEVELOPED AND MANUFACTURED BY SWITCHCRAFT INC. AND IS RELEASED ON A CONFIDENTIAL BASIS FOR IDENTIFICATION PURPOSES ONLY.					
					UNLESS OTHERWISE SPECIFIED	SIZE	WIDTH	MULT	LBS/M	TEMPER	
					1. ALL DIMENSIONS IN INCHES - TWO PLACE DECIMALS ±0.01 - THREE PLACE DECIMALS ±0.005 - ANGLES ±1 - ALL DIA. CONCENTRIC WITHIN 0.005 T.I.R.	FINISH		MATERIAL			
					2. FEATURES ON THE SAME CENTERLINE MUST BE ALIGNED WITHIN ±0.002	SPEC No.		SPEC No.			
					3. REMOVE ALL BURRS	FIRST USED ON		SCALE		<b>Switchcraft</b> <sup>®</sup>	
						DATE DRAWN	BY	CHKD	APVD		
F	27097	2-7-13	TO	TJK		13-Sep-12	TO	TO	TJK	SHEET 1 OF 1	
E	ECO #22447	9-13-12	TO	TJK				9-13-12	9-17-12	REV F	
REV	ECO NUMBER	DATE	BY	APVD	DO NOT SCALE DRAWING					PART No.	
REVISIONS					LITTEL JAX, RoHS					13E	