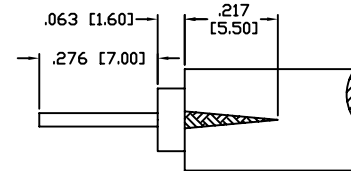
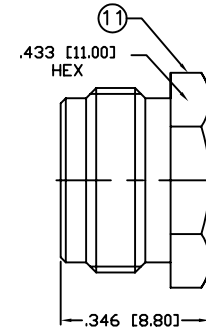
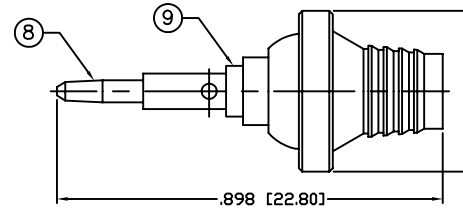
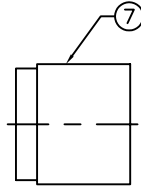
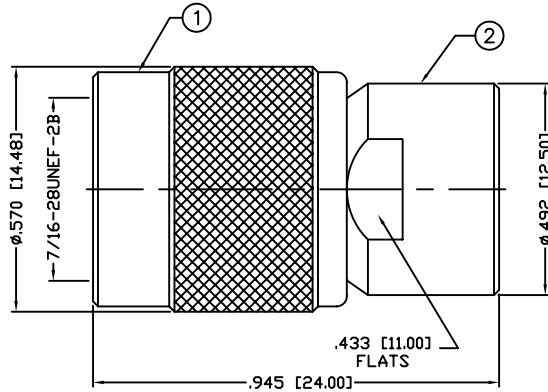


THIS DRAWING CONTAINS INFORMATION PROPRIETARY TO RF INDUSTRIES,  
 ANY UNAUTHORIZED USE OF THIS DRAWING IS EXPRESSLY PROHIBITED  
 WITHOUT WRITTEN PERMISSION FROM RF INDUSTRIES.  
 ANY VIOLATION IS PUNISHABLE UNDER U.S. COPYRIGHT LAWS.

ALL DIMENSIONS ARE REFERENCE ONLY



**SPECIFICATIONS:**

IMPEDANCE: 75 Ohms  
 FREQUENCY RANGE: 0-1 GHz  
 WORKING VOLTAGE: 500 V rms @ sea level  
 INSULATION RESISTANCE: 5k M ohms min.  
 TEMPERATURE RANGE: -65°C TO +85°C  
 FOR RG-59, 59A, 59B, 62, 62A, 62C/U; ALPHA 9059, 9062,  
 9830, 9840, 9845; BELDEN 8221, 8241, 9169, 9204,  
 9228; CANARE LV-61S; CommScope 5555, 5560, 5563

NOTE: CUT A SLIT ON ONE SIDE OF CABLE JACKET

RECOMMENDED STRIPPING DIMENSIONS

1	SHELL	1	BRASS	NICKEL, 100μ"	008974	
2	BODY	1	BRASS	NICKEL, 100μ"		
3	GASKET	1	RUBBER	----		
4	RETAINING RING	1	BRASS	NICKEL, 100μ"		
5	RING	1	DELFIN	----		
6	WASHER	1	BRASS	NICKEL, 100μ"		
7	INSULATOR	1	PTFE	----		
8	PIN	1	BRASS	SILVER, 200μ"		
9	INSULATOR	1	PTFE	----		
10	FERRULE STUD	1	BRASS	SILVER, 80 μ"		
11	BACK NUT	1	BRASS	NICKEL, 100μ"		
12						
13						
14						
#	DESCRIPTION	QTY	MATERIAL	FINISH	APPROVALS	DATE

UNLESS OTHERWISE SPECIFIED:	
DIMENSIONS ARE IN INCHES AND [MILLIMETERS] UNLESS OTHERWISE NOTED TOLERANCES ARE:	
DECIMALS	DIAMETER
DRAWN C. ZUNIGA	05/10/06
CHECKED	
ORJ DRAWN C. ZUNIGA	05/10/06

7610 MIRAMAR RD  
 SAN DIEGO, CA 92126  
 (858) 549-6340  
 (858) 549-6345 FAX

**RF connectors**  
DIVISION OF RF INDUSTRIES, LTD.

## TNC PLUG, CLAMP

SIZE A	CABLE GROUP D	DWG NO. RFT-1801	REV —
SCALE: NTS		CAD FILE OUTLINE	SHEET 1 OF 1