

6

5

4

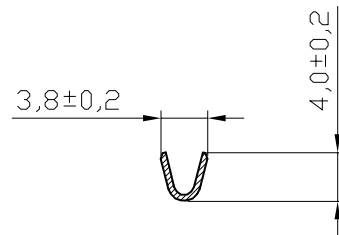
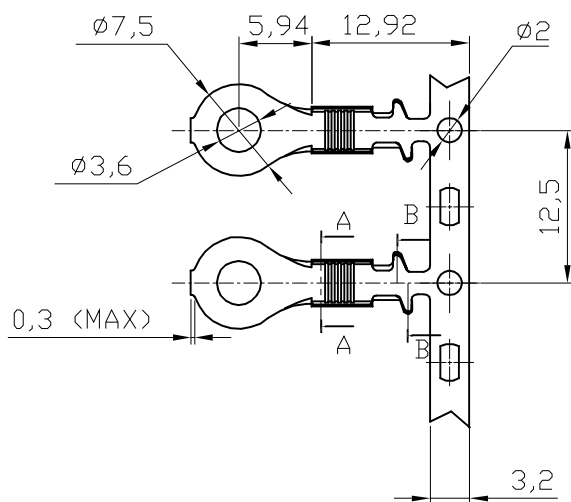
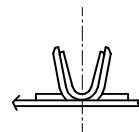
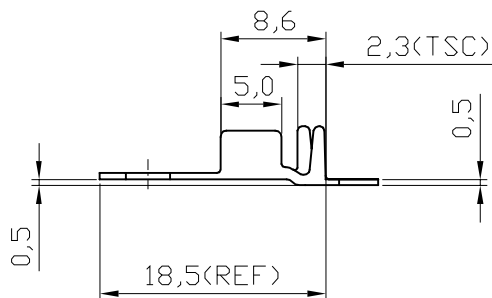


3

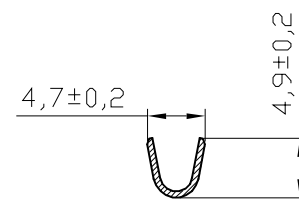
2

1

DIST	LOC	P	LTR	REVISION/RECORD	DATE	DWN	APVD
	EC		A	NEW RELEASE	JAN/22,07	SL	BW



SECTION A-A



SECTION B-B

NOTES:

1. ENAMEL WIRE APPLICATION RANGE:
 $\phi 1.0 \sim 1.65\text{mm}$.
2. INSULATION APPLICATION DATE:
 $\phi 2.7\text{mm MAX}$.
3. CONTINUOUS STRIP ON REEL.
4. CURRENT RATING COMPLY WITH UL486A RATING.

BARE

1930001-1

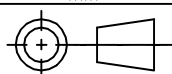
FINISH

PART NUMBER

MATERIAL	FINISH
COPPER ALLOY	SEE TABLE

TOLERANCES UNLESS
OTHER SPECIFIED:

0 PLC	± 0.5
1 PLC	± 0.2
2 PLC	± 0.15
3 PLC	\pm
4 PLC	\pm
ANGLE	\pm

DIMENSIONS IN
mm

DR	STANLEY LU	DATE	NOV.1,2006
----	------------	------	------------

CHK	BORIS WONG	DATE	JAN.8,2007
-----	------------	------	------------

APVD	BORIS WONG	DATE	JAN.8,2007
------	------------	------	------------

PRODUCT SPEC	108-58505
--------------	-----------

APPLICATION SPEC	114-58505
------------------	-----------

RESTRICTED TO	SCALE	SIZE	DWG NO.
	1:1	A4	C-1930001

tyco Tyco Electronics
Electronics Hong Kong Limited
 Room 1301, Ocean Centre No.
 5 Canton Rd, Tsimshatsui Kowloon
 Hong Kong

NAME
AMPLIVAR, (M3.5) RING TONGUE

SHEET	REV
1 OF 1	A

6

5

4



3

2

1

THIS INFORMATION IS CONFIDENTIAL AND PROPRIETARY TO TYCO ELECTRONICS CORPORATION AND ITS WORLDWIDE SUBSIDIARIES AND AFFILIATES. IT MAY NOT BE DISCLOSED TO ANYONE, OTHER THAN TYCO ELECTRONICS PERSONNEL WITHOUT WRITTEN AUTHORIZATION FROM TYCO ELECTRONICS CORPORATION, HARRISBURG, PENNSYLVANIA USA.