



Figure similar

Pump control panel, Size 3 1/2, Three phase full voltage, Solid-state overload relay, OLR amp range 50-200A, 110-120/220-240VAC 60Hz coil, Standard type contactor, 200A fusible disconnect, 200A/600V fuse clip, HOA Sel Sw. <(>&<)> Start P.B., Enclosure NEMA type 3/3R, Weather proof outdoor use

product brand name	Class 87
design of the product	Pump control panel with fused disconnect switch
special product feature	Half-size controller; ESP200 overload relay; Dual voltage coil
General technical data	
weight [lb]	81 lb
Height x Width x Depth [in]	41 × 24 × 8 in
touch protection against electrical shock	NA for enclosed products
installation altitude [ft] at height above sea level maximum	6560 ft
ambient temperature [°F]	
• during storage	-22 ... +149 °F
• during operation	-4 ... +104 °F
ambient temperature	
• during storage	-30 ... +65 °C
• during operation	-20 ... +40 °C
country of origin	USA
Horsepower ratings	
yielded mechanical performance [hp] for 3-phase AC motor	
• at 200/208 V rated value	0 hp
• at 220/230 V rated value	0 hp
• at 460/480 V rated value	75 hp
• at 575/600 V rated value	75 hp
Contactor	
size of contactor	Controller half size 3 1/2
number of NO contacts for main contacts	3
operating voltage for main current circuit at AC at 60 Hz maximum	600 V
operational current at AC at 600 V rated value	115 A
mechanical service life (switching cycles) of the main contacts typical	5000000
Auxiliary contact	
number of NC contacts at contactor for auxiliary contacts	0
number of NO contacts at contactor for auxiliary contacts	1
number of total auxiliary contacts maximum	7
contact rating of auxiliary contacts of contactor according to UL	10A@600VAC (A600), 5A@600VDC (P600)
Coil	
type of voltage of the control supply voltage	AC
control supply voltage	

<ul style="list-style-type: none"> • at DC rated value 	0 ... 0 V
<ul style="list-style-type: none"> • at AC at 50 Hz rated value 	0 ... 0 V
<ul style="list-style-type: none"> • at AC at 60 Hz rated value 	110 ... 240 V
holding power at AC minimum	14 W
apparent pick-up power of magnet coil at AC	310 VA
operating range factor control supply voltage rated value of magnet coil	0.85 ... 1.1
percental drop-out voltage of magnet coil related to the input voltage	50 %
ON-delay time	26 ... 41 ms
OFF-delay time	14 ... 19 ms
Overload relay	
product function	
<ul style="list-style-type: none"> • overload protection 	Yes
<ul style="list-style-type: none"> • phase failure detection 	Yes
<ul style="list-style-type: none"> • asymmetry detection 	Yes
<ul style="list-style-type: none"> • ground fault detection 	Yes
<ul style="list-style-type: none"> • test function 	Yes
<ul style="list-style-type: none"> • external reset 	Yes
reset function	Manual, automatic and remote
trip class	CLASS 5 / 10 (factory set) / 20 / 30
adjustable current response value current of the current-dependent overload release	50 ... 200 A
tripping time at phase-loss maximum	3 s
relative repeat accuracy	1 %
product feature protective coating on printed-circuit board	Yes
number of NC contacts of auxiliary contacts of overload relay	1
number of NO contacts of auxiliary contacts of overload relay	1
operational current of auxiliary contacts of overload relay	
<ul style="list-style-type: none"> • at AC at 600 V 	5 A
<ul style="list-style-type: none"> • at DC at 250 V 	1 A
contact rating of auxiliary contacts of overload relay according to UL	5A@600VAC (B600), 1A@250VDC (R300)
insulation voltage (Ui)	
<ul style="list-style-type: none"> • with single-phase operation at AC rated value 	600 V
<ul style="list-style-type: none"> • with multi-phase operation at AC rated value 	300 V
Disconnect Switch	
response value of switch disconnecter	200A / 600V
design of fuse holder	Class H fuse clips
operating class of the fuse link	Class H, J (retrofitable), K and R
Enclosure	
degree of protection NEMA rating of the enclosure	NEMA Type 3R
design of the housing	Weather proof for outdoor use
Standard Control Devices	
product component Hand-Off-Auto selector switch	Yes
type of Hand-Off-Auto selector switch	30mm metal housing with matte finish
product component start push button	Yes
type of start push button	30mm metal housing with matte finish
Mounting/wiring	
mounting position	Vertical
fastening method	Surface mounting and installation
type of electrical connection for supply voltage line-side	Box lug
type of connectable conductor cross-sections at line-side at AWG cables single or multi-stranded	1x (6 AWG ... 300 Kcmil)
temperature of the conductor for supply maximum permissible	75 °C
material of the conductor for supply	AL or CU
type of electrical connection for load-side outgoing feeder	Box lug
tightening torque [lbf-in] for load-side outgoing feeder	120 ... 120 lbf-in

type of connectable conductor cross-sections at AWG cables for load-side outgoing feeder single or multi-stranded	1x (14 ... 2/0 AWG)
temperature of the conductor for load-side outgoing feeder maximum permissible	75 °C
material of the conductor for load-side outgoing feeder	AL or CU
type of electrical connection of magnet coil	Screw-type terminals
tightening torque [lbf·in] at magnet coil	5 ... 12 lbf·in
type of connectable conductor cross-sections of magnet coil at AWG cables single or multi-stranded	2x (16 ... 12 AWG)
temperature of the conductor at magnet coil maximum permissible	75 °C
material of the conductor at magnet coil	CU
type of electrical connection at contactor for auxiliary contacts	Screw-type terminals
tightening torque [lbf·in] at contactor for auxiliary contacts	10 ... 15 lbf·in
type of connectable conductor cross-sections at contactor at AWG cables for auxiliary contacts single or multi-stranded	1x (12 AWG), 2x (16 ... 14 AWG), 2x (18 ... 16 AWG)
temperature of the conductor at contactor for auxiliary contacts maximum permissible	75 °C
material of the conductor at contactor for auxiliary contacts	CU
type of electrical connection at overload relay for auxiliary contacts	Screw-type terminals
tightening torque [lbf·in] at overload relay for auxiliary contacts	7 ... 10 lbf·in
type of connectable conductor cross-sections at overload relay at AWG cables for auxiliary contacts single or multi-stranded	2x (20 ... 14 AWG)
temperature of the conductor at overload relay for auxiliary contacts maximum permissible	75 °C
material of the conductor at overload relay for auxiliary contacts	CU
Short-circuit current rating	
design of the fuse link for short-circuit protection of the main circuit required	10kA@600V (Class H or K); 100kA@600V (Class R or J)
certificate of suitability	NEMA ICS 2; UL 508

Further information

Industrial Controls - Product Overview (Catalogs, Brochures,...)

www.usa.siemens.com/iccatalog

Industry Mall (Online ordering system)

<https://mall.industry.siemens.com/mall/en/us/Catalog/product?mlfb=US2:87IUH6FA>

Service&Support (Manuals, Certificates, Characteristics, FAQs,...)

<https://support.industry.siemens.com/cs/US/en/ps/US2:87IUH6FA>

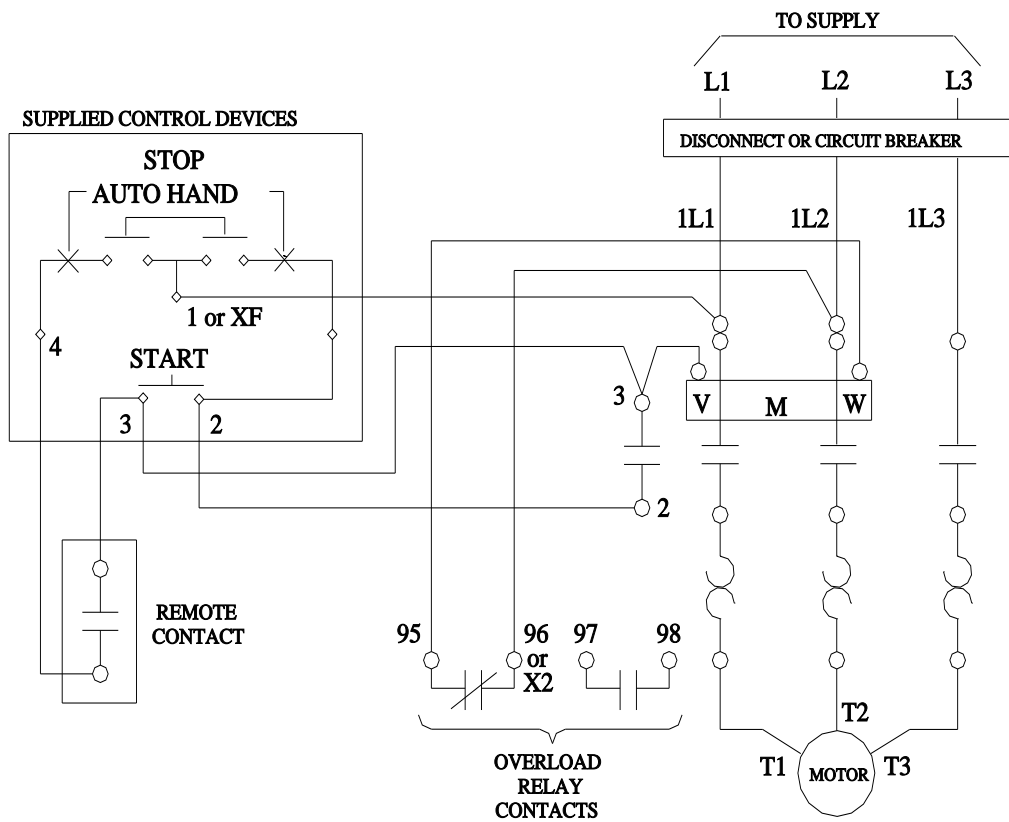
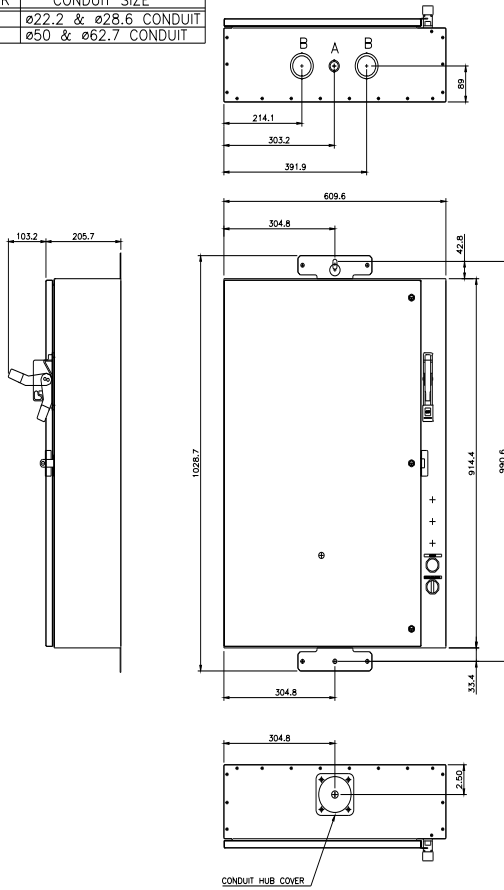
Image database (product images, 2D dimension drawings, 3D models, device circuit diagrams, EPLAN macros, ...)

http://www.automation.siemens.com/bilddb/cax_de.aspx?mlfb=US2:87IUH6FA&lang=en

Certificates/approvals

<https://support.industry.siemens.com/cs/US/en/ps/US2:87IUH6FA/certificate>

LETTER	CONDUIT SIZE
A	ø22.2 & ø28.6 CONDUIT
B	ø50 & ø62.7 CONDUIT



D63677012

last modified:

1/25/2022