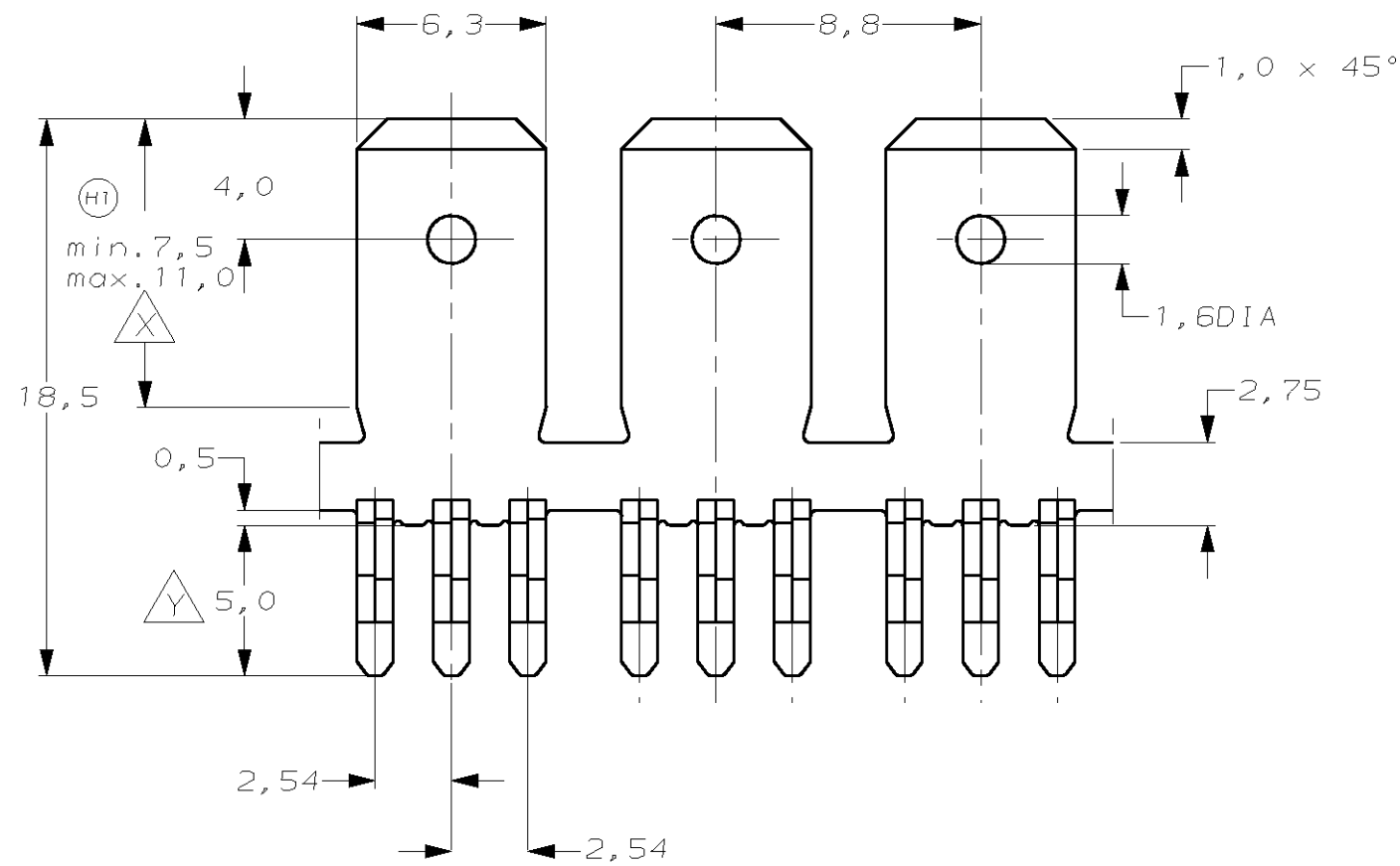
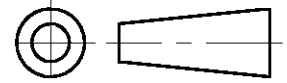


DO NOT SCALE

DIMENSIONS IN mm

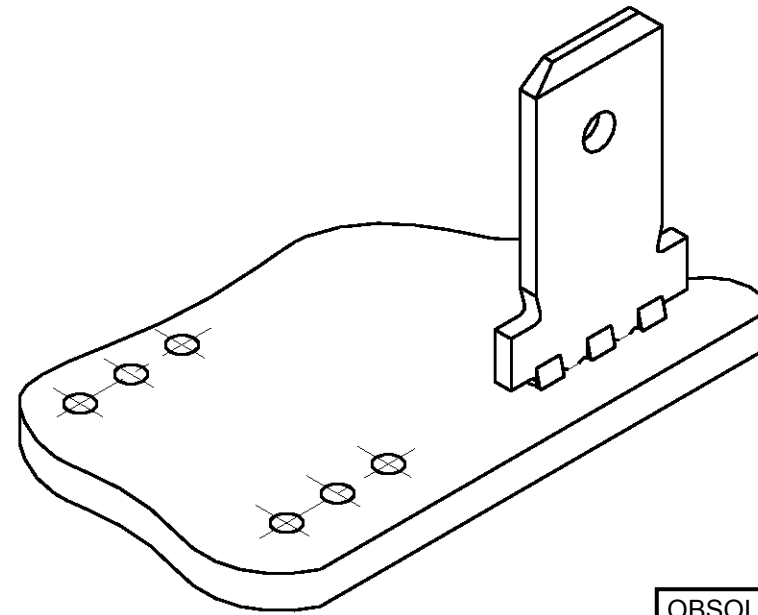
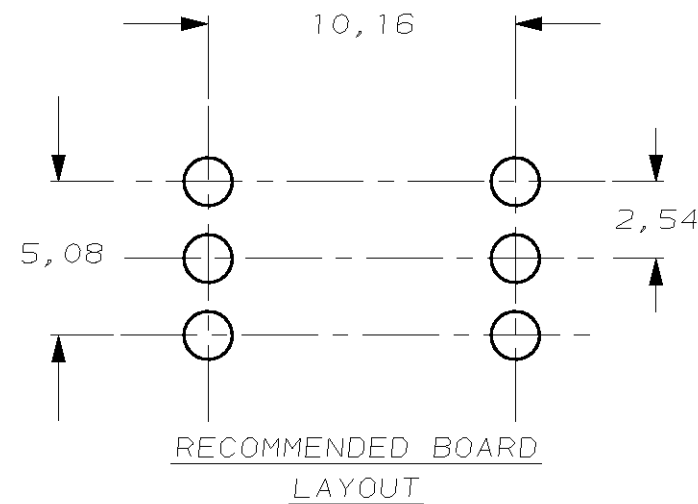
THIRD ANGLE  
PROJECTION



NOTES:

- ① PHOSPHORBRONZE # 4 HD / THICKNESS 0,8mm
- ② 2,54µm Sn OVER  
1,25µm MIN. NICKEL.
- ③ PLATING: UNDERLAYER; 1,25µm min. NICKEL  
ZONE X ; 3µm Ag MIN.  
ZONE Y ; 2,54µm-5,00µm Sn
- ④ PLATING: 1.25 µm min. NICKEL OVER ALL  
ZONE X ; 1 - 3µm SN

J2



P.C.B. HOLE DIM. ACTION PIN	
DRILLED HOLE	:1,6 ±0,025 mm
FIN. HOLE	:1,39 ±0,15 mm
AFTER REFLOW	:1,37 ±0,15 mm
Cu-thks	:0,025 to 0,075 mm
Sn-thks or SnPb-thks	:0,004 to 0,010 mm

OBSOLETE

④	①	216842-5	J
③		216842-4	J
②		<del>216842-2</del>	J
FINISH	MATERIAL	PARTNUMBER	Rev

CUSTOMER DRAWING



J4	ECR-16-012935	BW	RS	20SEP2016
REV. LTR.	ECN No.	DRW.	APVD	DATE
<b>REVISION RECORD</b>				
APP.	A. BIJNEN	DATE	30-11-01	

DR. J.v.LIEMPT.	DATE 02.01.90	WIRE RANGE -	NAME .250 SRS TAB WITH ACTION-PIN FOR POSITIVE LOCK RECEPTACLE (FOR 1,6-3,2 PC.B. THICKNESS)	REV. DATE D M Y 30 11 01
CHK. A. BIJNEN	DATE 30-11-01	INSUL. RANGE -	DWG. No. C-216842	REV. LTR. J4
APP. A. BIJNEN	DATE 30-11-01	SIZE A3	SHEET 1 OF 1	

8 | 7 | 6 | 5 | 4 | 3 | 2 | 1