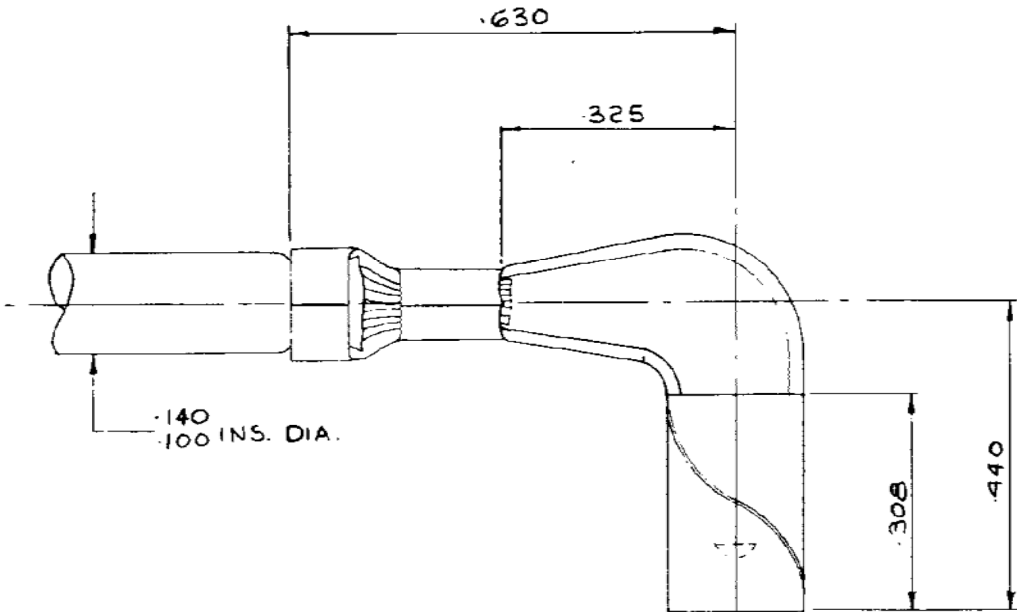


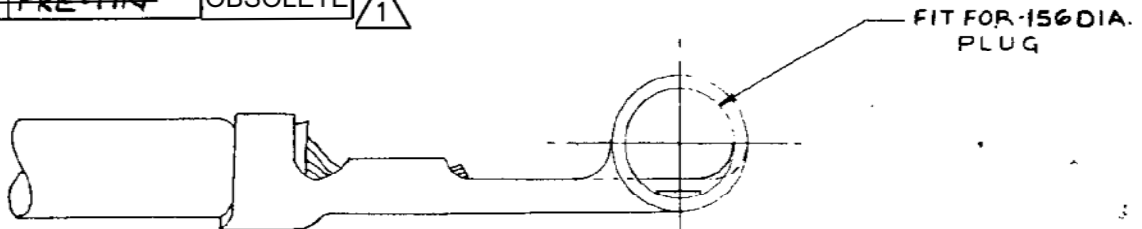
NUMBER C-150656

C AIRCRAFT-MARINE PRODUCTS (G.B.) LTD. 1963

1 OBSOLETE PARTS: OBSOLETE CIS STREAMLINING PER D.RENAUD/D.SINISI



150656-2	REVERSE REELED PRE-TIN	OBSOLETE	1
150656-2	PRE-TIN	OBSOLETE	1



CUSTOMER COPY
FOR REFERENCE ONLY

1-150656-1	REVERSE REELED
150656-1	NONE
PART NO	FINISH.

DIMENSIONS IN INCHES DO NOT SCALE PRINT

MATERIAL 020 PHOS. BRONZE		HEAT TREAT		COATING OR PLATING	
UNLESS OTHERWISE SPECIFIED: REMOVE BURRS, BREAK SHARP EDGES 1/64 R. MAX. FRACTIONS ± 1/64 DECIMALS .000 = ± .005 .0000 = ± .0005 ANGLES: ± 0° 30'					
FIRST USED	WIRE RANGE 20-16	CLASS WT-R	TYPE AUTOMATIC	SCALE 4:1	
P.P.P.	AREA	STE TE Connectivity			
DR. Seagrave 20.6.63					
CHK	APP	LOC	NO	REV	
REL		NAME		C-150656 C2	
DATE		WIRE TERMINAL SHUR PLUG RECEPTACLE			