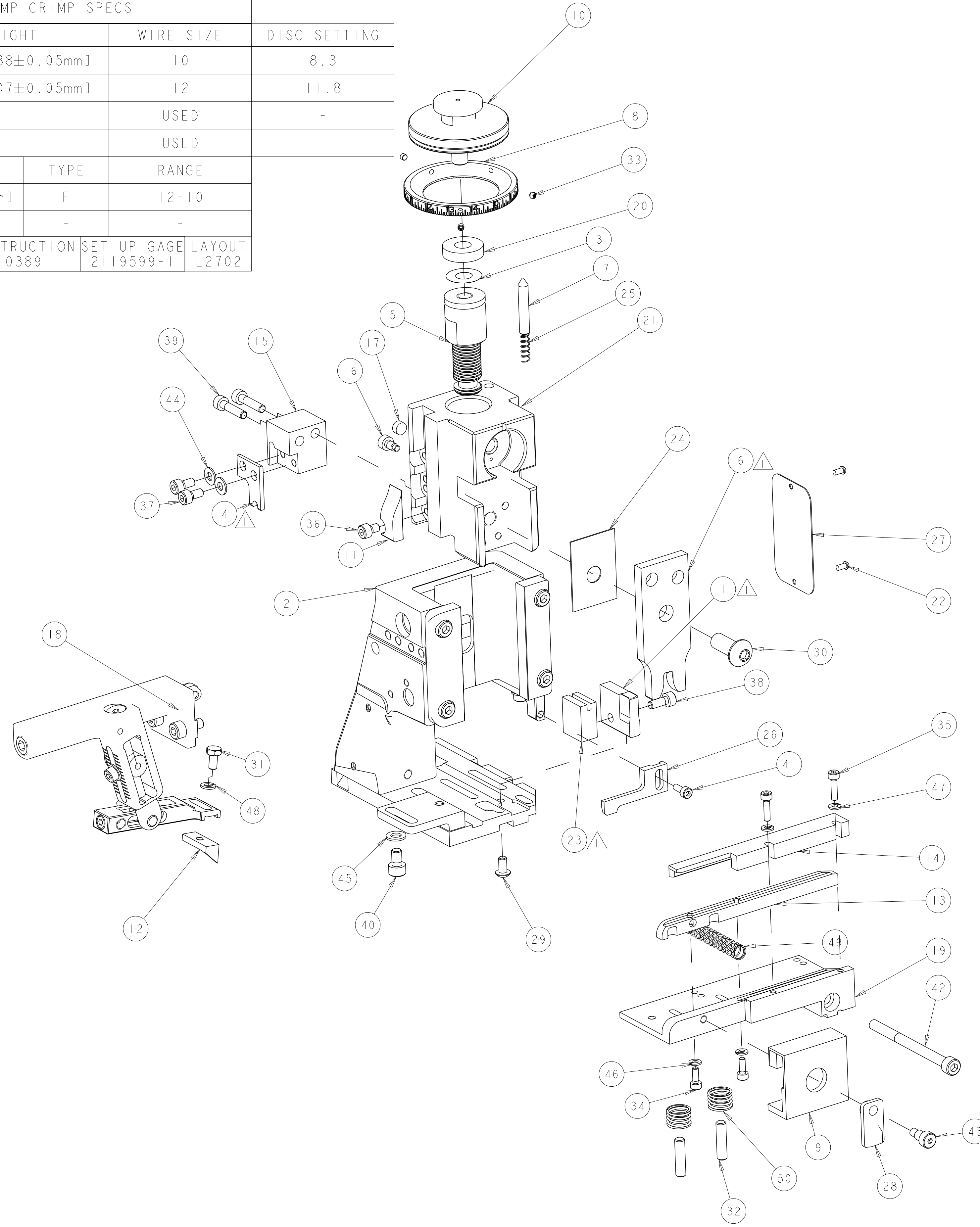


△ RECOMMENDED SPARE PARTS.

SUPERSEDED BY 2151498-1

PART NUMBER	REV	FIRST USED
2151009-1	A	

TERMINAL NAME: TERMINAL, RING				
41356-1	AMP TERMINAL		AMP CRIMP SPECS	
PAD LTR	CRIMP HEIGHT	WIRE SIZE	DISC SETTING	
A	.133±.002 [3.38±0.05mm]	10	8.3	
B	.121±.002 [3.07±0.05mm]	12	11.8	
C	NOT	USED	-	
D	NOT	USED	-	
CRIMP	SIZE	TYPE	RANGE	
WIRE	.210 [5.33mm]	F	12-10	
INSUL	-	-	-	
WIRE STRIP LENGTH	TERM APPL SPEC	FEED	APPL INSTRUCTION	SET UP GAGE
.250	114-2084	.593	408-10389	2119599-1
LAYOUT		L2702		



2	-	1-22284-0	SPRING, COMPRESSION	50
1	-	1-22281-8	SPRING, COMPRESSION	49
1	-	18025-2	WASHER, SPRG LOCK, REG M4	48
2	-	18026-1	WASHER, SPRG LOCK, REG M3	47
2	-	18025-1	WASHER, SPRG LOCK, REG M3	46
1	-	18028-3	WASHER, FLAT, REG M5	45
2	-	18027-2	WASHER, FLAT, REG M4	44
1	-	980371-4	SCR, SKT HD SHLDR 5.0 DIA X 6.0	43
1	-	8-1655316-7	SCR, SKT HD CAP, M5 X 65	42
1	-	4-1655316-4	SCR, SKT HD CAP, M3 X 8.0	41
1	-	9-18023-5	SCR, SKT HD CAP M5 X 8.0	40
2	-	1-994962-6	SCR, SKT HD CAP M4 X 18.0	39
1	-	1-18023-1	SCR, SKT HD CAP M4 X 10.0	38
2	-	1-18023-0	SCR, SKT HD CAP M4 X 8.0	37
1	-	18023-9	SCR, SKT HD CAP M4 X 6.0	36
2	-	18023-5	SCR, SKT HD CAP M3 X 12.0	35
2	-	18023-3	SCR, SKT HD CAP M3 X 8.0	34
3	-	992763-4	SCR, SET, SOC, CONE POINT, M3 x 3.0	33
2	-	2-18032-5	SCR, SET, FLT POINT M5 X 20.0	32
1	-	6-985562-7	SCR, HEX HD CAP, M4 X 8.0	31
1	-	2-18024-5	SCR, BTN SKT HD CAP (M8 X 20.0)	30
1	-	1655785-1	SCR, BTN SKT HD CAP (M4 X 8)	29
1	-	356835-1	LEVER, DRAG RELEASE	28
1	-	2119740-5	TAG, IDENTIFICATION	27
1	-	2119533-1	STRIPPER, SIDE FEED	26
1	-	1-22279-3	SPRING, COMPRESSION	25
1	-	455888-5	SPACER, CRIMPER	24
1	-	2119924-2	SHEAR, LOWER	23
2	-	21017-2	SCREW, DRIVE	22
1	mm	2119370-1	RAM, ATLANTIC STYLE, SIDE FEED	21
1	-	2119644-2	RAM WASHER, PRECISION	20
1	-	1901086-3	PLATE, STRIP GUIDE	19
1	-	2119580-1	MECHANICAL FEED ASSEMBLY	18
1	-	994969-1	MAGNET, RARE EARTH HIGH ENERGY	17
1	-	2119793-1	LIMITER, ADJUSTMENT BOLT	16
1	-	2119830-2	HOLDER, SLUG BLADE	15
1	-	1-679651-9	FRONT STRIP GUIDE	14
1	-	1-2119928-6	FENCE	13
1	-	1338683-1	FEED PAWL	12
1	-	2119652-1	FEED CAM, PRE FEED	11
1	-	2119085-1	FA HEAD, ATLANTIC STYLE	10
1	-	3-690754-6	DRAG, SPECIAL	9
1	-	2119645-1	DISC, NUMBERED FA WIRE ADJUSTMENT	8
1	-	2119798-1	DETENT PIN	7
△	1	9-568176-6	CRIMPER, WIRE	6
1	-	2119092-1	BOLT, ADJUSTMENT	5
△	1	1673019-1	BLADE, SLUG	4
1	-	2119957-1	APPLICATOR SHIM PACK	3
1	-	2119656-1	APPLICATOR BASIC ASSEMBLY, SF	2
△	1	2119923-1	ANVIL, SPECIAL	1

U/M	PART NO	DESCRIPTION	ITEM NO

DIMENSIONS:	TOLERANCES UNLESS OTHERWISE SPECIFIED:	DWN	04AUG2010	MATERIAL	HEAT TREAT
mm	0 PLC ±	K. STAKEM			
	1 PLC ±	CHK	04AUG2010		
	2 PLC ±	G. BAILEY			
	3 PLC ±	APVD	04AUG2010		
	4 PLC ±	T. ELBIN			
ANGLE:		NAME	Ocean Side Feed		
SURFACE TEXTURE			AMP Style Applicator		
		SCALE	4:5	SIZE	A1
		DRAWING NO	2151009		
		SHEET	1	OF	1
		REV	B		

THIS DRAWING IS A CONTROLLED DOCUMENT

LOC A DIST 00