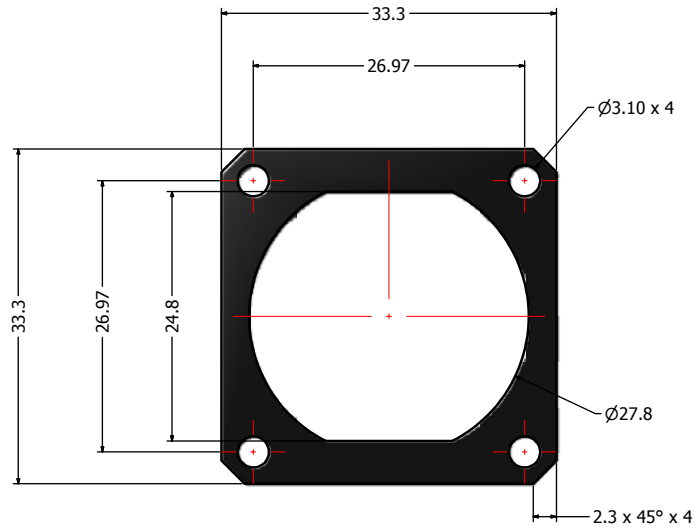


ISO VIEW (SCALE 2)



- Notes:
- Material: NBR, Shore: A85 - A95
 - Color: Black
 - RoHS compliant
 - Operating Temperature: -40°C to +85°C

Directive 2002/95/EC RoHS Compliant

THIS DRAWING MAY NOT BE COPIED, OR REPRODUCED IN ANY WAY AND MAY NOT BE PASSED ON TO A THIRD PARTY WITHOUT WRITTEN PERMISSION. OWNERSHIP AND COPYRIGHT OF CONEC CORPORATION. DOT NOT ALTER CAD DRAWING BY HAND	Customer:			Tolerance Unless otherwise specified			Scale:	Dim. in mm	
	Name	Title	Approval Date	0 PLC ±0.50	1 PLC ±0.38		Material: See Notes		
				2 PLC ±0.25	3 PLC ±0.10	Title: Square Panel Gasket			
				ANGLES ±1°		RoHS Compliant			
				2011	Date	Name	Drawing No.: 17K1A285		
				Draw.	Jul. 12	Vincent Ke	DIN A3		
				Appd.	Jul. 12	J. Chaudry	Sheet 1/1		
				Norm			Part No.: 17-103540		
				D-old					
	a	original							
Rev.	Changes	Date	Name						