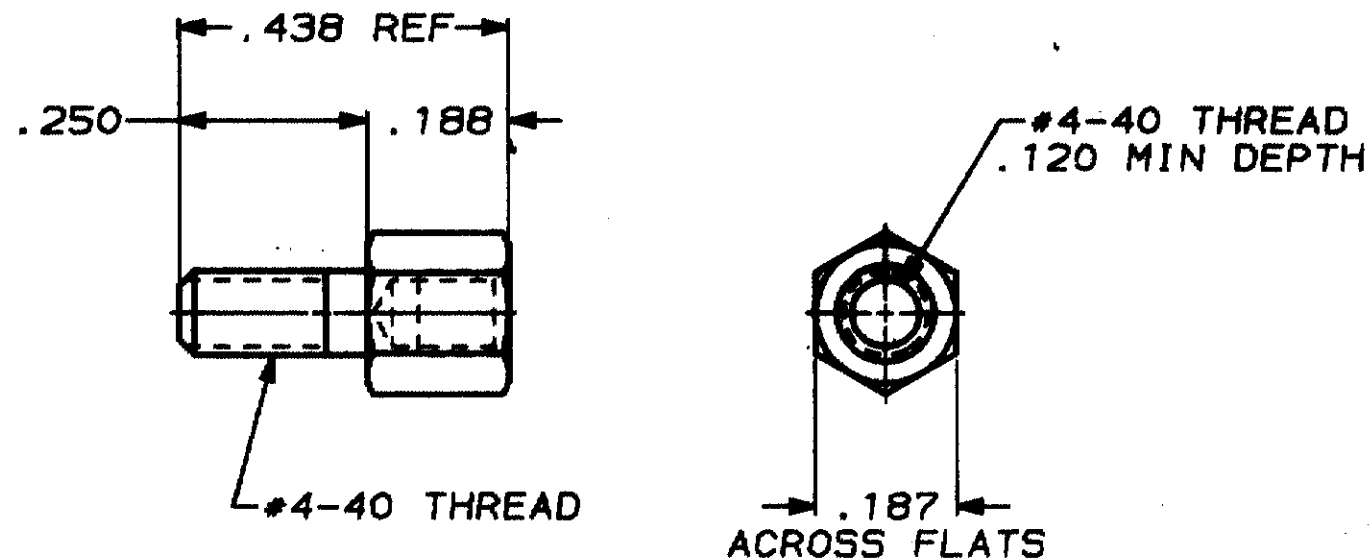


THIS DRAWING IS UNPUBLISHED. RELEASED FOR PUBLICATION ,19 .  
 © COPYRIGHT 19 BY AMP INCORPORATED. ALL INTERNATIONAL RIGHTS RESERVED.

LOG	DIST	REVISIONS						
		P	P	ZONE	LTR	DESCRIPTION	DATE	APPD
BD	39	B	✓	B		REVISED & REDRAWN PER ECN-2262	-	-



- ① ZINC PLATED PER ASTM B633, TYPE II, CLASS SC1, YELLOW CHROMATE.
- ② ZINC PLATED PER ASTM B633, TYPE III, CLASS SC1, CLEAR CHROMATE.

②	207953-3
①	207953-2
FINISH	PART NO

DO NOT SCALE PRINT. DIMENSIONS SPECIFIED UNLESS SPECIFIED DIMENSIONS IN INCHES TOLERANCES ON: ALL DIMENSIONS * - HOLE DIA * -.005 ANGLES * -		AMP INCORPORATED Harrisburg, Pa. 17105	
MATERIAL COLD ROLLED STEEL PER ASTM A108		NAME SCREWLOCK, FEMALE, SHORT, AMPLIMITE®	
FINISH SEE TABLE		SIZE B	FSCH NO 00779
APPLICATION SPEC -		DRAWING NO 207953	
WEIGHT -		SCALE 4:1	SHEET 1 OF 1