

▲ MATERIAL  
 HOUSING: GLASS FILLED HIGH TEMPERATURE NYLON.  
 CONTACT: PHOS. BRONZE, C51100, TEMPER H06.  
 RETENTION POST: STAINLESS STEEL, AMP 100-309.  
 EXTRACTOR: GLASS FILLED HIGH TEMPERATURE NYLON, COLOR - WHITE.

▲ FINISH  
 CONTACT:  
 NICKEL PLATE ALL OVER .00127mm - .0019mm [0.00050 IN - 0.00075 IN] THK.  
 PER AMP SPEC 112-25-2.  
 GOLD PLATE IN INTERFACE AREA .00038mm [0.00015 IN] MIN. THK.  
 PER AMP SPEC 112-162-5.  
 MATTE TIN PLATE IN SOLDER TAIL AREA .00381mm - .00635mm [0.00150 IN - 0.00250 IN] THK.  
 PER AMP SPEC 112-65-1.

13.30 [0.524]	AA - DD	DETAIL-C	DETAIL-A	NON-BUFFERED DRAM, 3.3 VOLT, PRE-PLATED CONTACTS	2-5390168-1
13.30 [0.524]	BB - CC - DD	DETAIL-A	DETAIL-A	STD DRAM, 3.3 VOLT, PRE-PLATED CONTACTS	1-5390168-4
13.30 [0.524]	BB - CC - DD	DETAIL-C	DETAIL-A	NON-BUFFERED DRAM, 3.3 VOLT, PRE-PLATED CONTACTS	1-5390168-1
13.30 [0.524]	AA - CC - DD	DETAIL-A	DETAIL-A	STD DRAM, 3.3 VOLT, PRE-PLATED CONTACTS	5390168-4
13.30 [0.524]	AA - CC - DD	DETAIL-C	DETAIL-A	NON-BUFFERED DRAM, 3.3 VOLT, PRE-PLATED CONTACTS	5390168-1
DIM A	RETENTION POST LOCATIONS	KEY #1	KEY #2	DESCRIPTION	PART NUMBER

SECTION Y-Y  
 CIRCUITS 1 AND 85  
 SCALE 8:1

SECTION X-X  
 SCALE 8:1

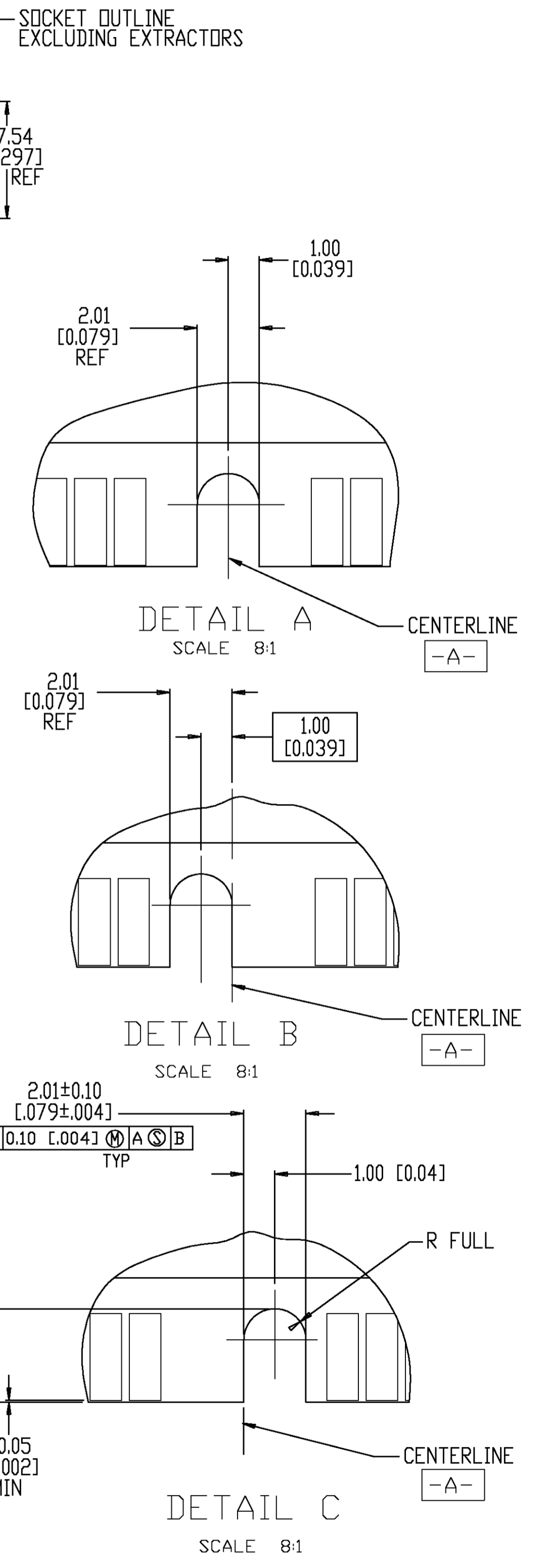
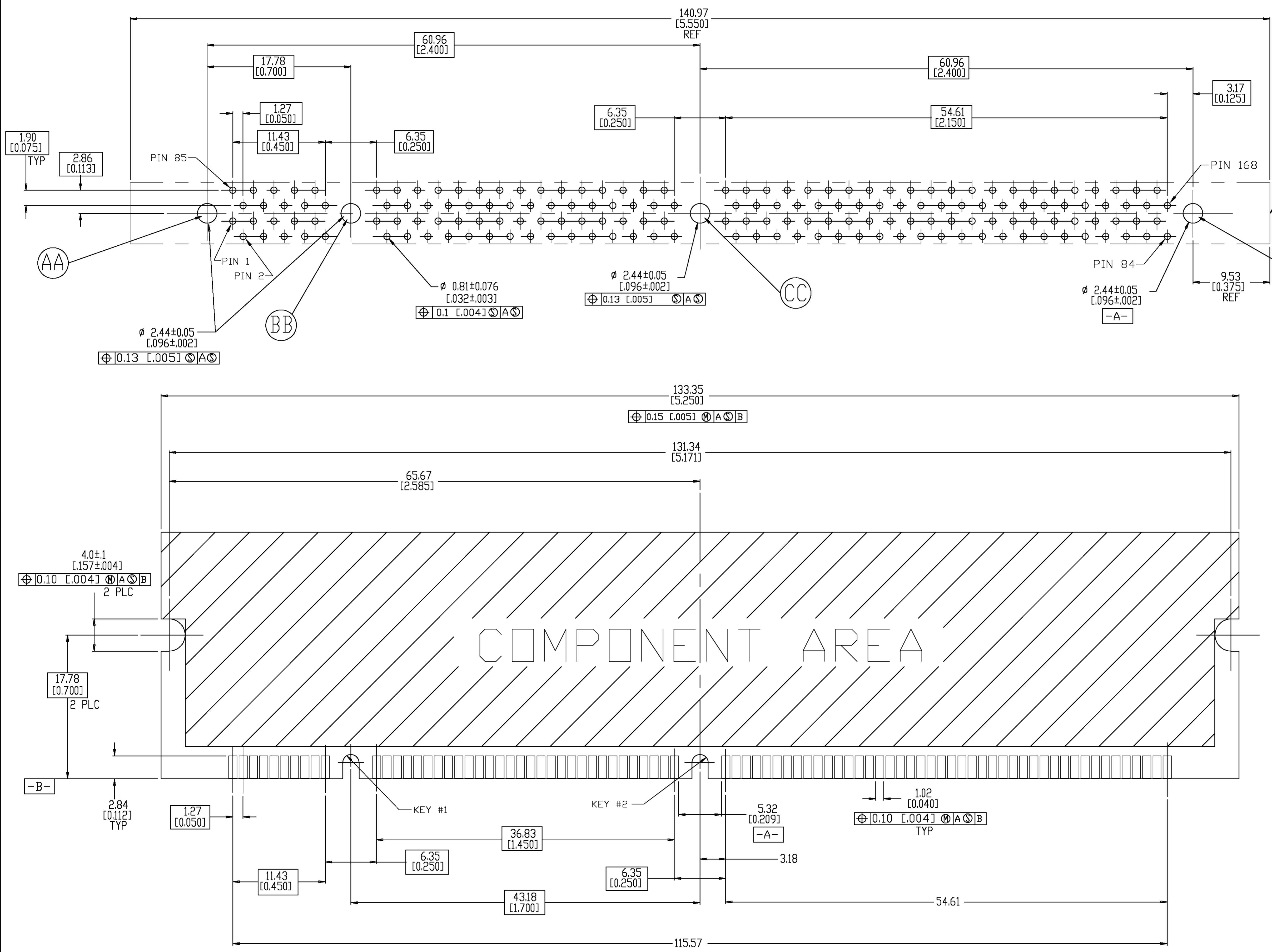
THIS DRAWING IS A CONTROLLED DOCUMENT. DIM R.W. BROWN 200CT99

DIMENSIONS: mm [INCHES]	TOLERANCES UNLESS OTHERWISE SPECIFIED:	APVD	NAME
0 PLC ± -	1 PLC ± -		
2 PLC ± 0.13 [0.005]	3 PLC ± -		
4 PLC ± -	ANGLES ± -		
MATERIAL	FINISH	PRODUCT SPEC	108-1753
		APPLICATION SPEC	114-1115
		SIZE	A1
		WEIGHT	00779
		CUSTOMER DRAWING	5390168

Tyco Electronics Corporation  
 Harrisburg, Pa 17105-3608

SOCKET ASSEMBLY,  
 DIMM 2P, LOW INSERTION FORCE,  
 168 POSITION LEAD FREE

SCALE 1:1 SHEET 1 OF 2 REV A



RECOMMENDED MODULE LAYOUT  
 SEE JEDEC SPEC. MO-161 FOR COMPLETE MODULE DETAILS  
 1.27 ±0.10[0.50] ±0.04] THICK ACROSS CONTACT PADS

THIS DRAWING IS A CONTROLLED DOCUMENT.		DIN R.W. BROWN 200CT99	<b>tyco</b> Tyco Electronics Corporation Harrisburg, Pa 17105-3608
DIMENSIONS: mm [INCHES]	TOLERANCES UNLESS OTHERWISE SPECIFIED:	APVD	NAME
0 PLC ± -	1 PLC ± -	PRODUCT SPEC	SOCKET ASSEMBLY,
2 PLC ± -	3 PLC ± .127 [0.005]	108-175.3	DIMM 2P, LOW INSERTION FORCE,
4 PLC ± -	ANGLES ± -	APPLICATION SPEC	168 POSITION LEAD FREE
MATERIAL	FINISH	SIZE	CAGE CODE DRAWING NO
		A1	00779 C=5390168
CUSTOMER DRAWING		SCALE 1:1	SHEET 2 OF 2 REV A