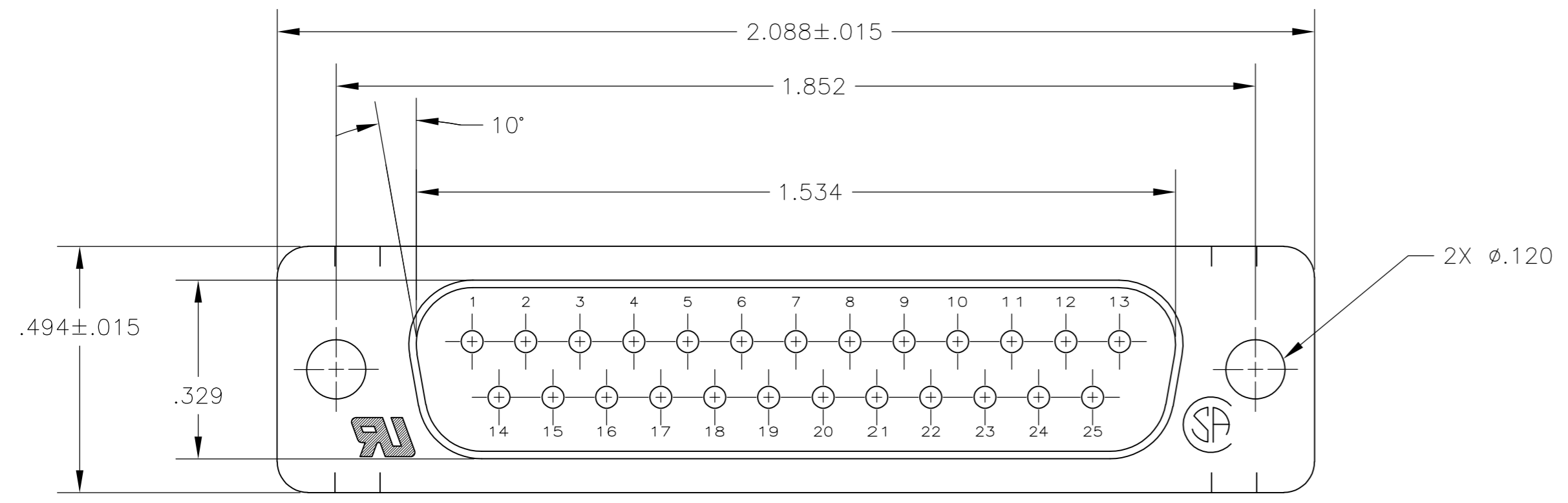
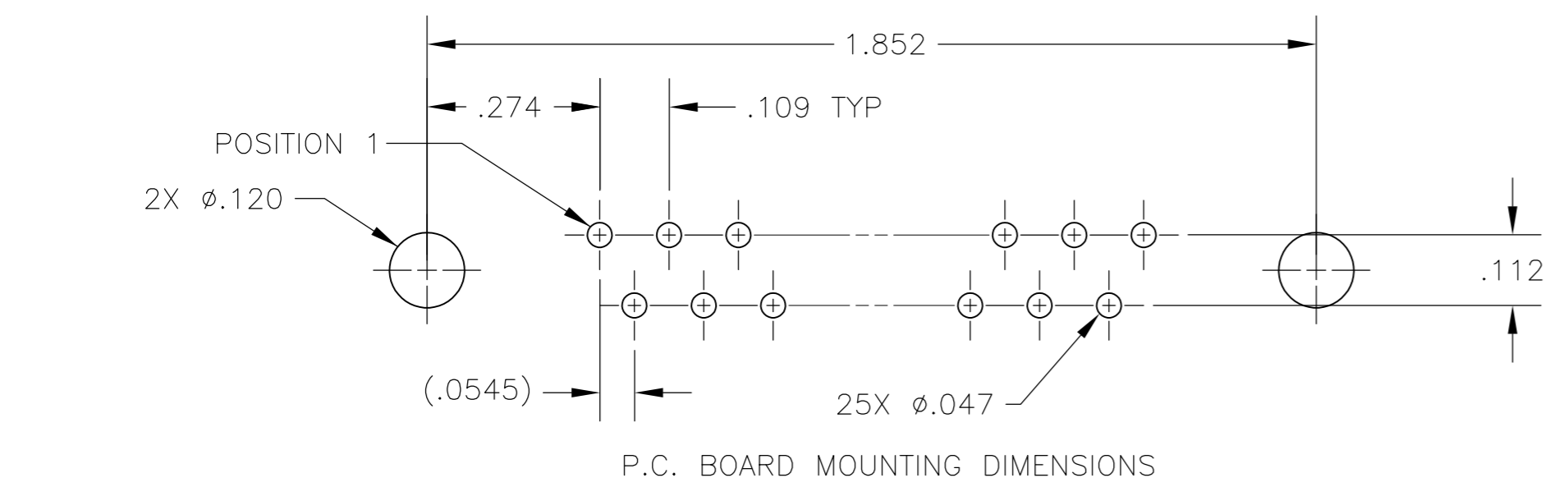
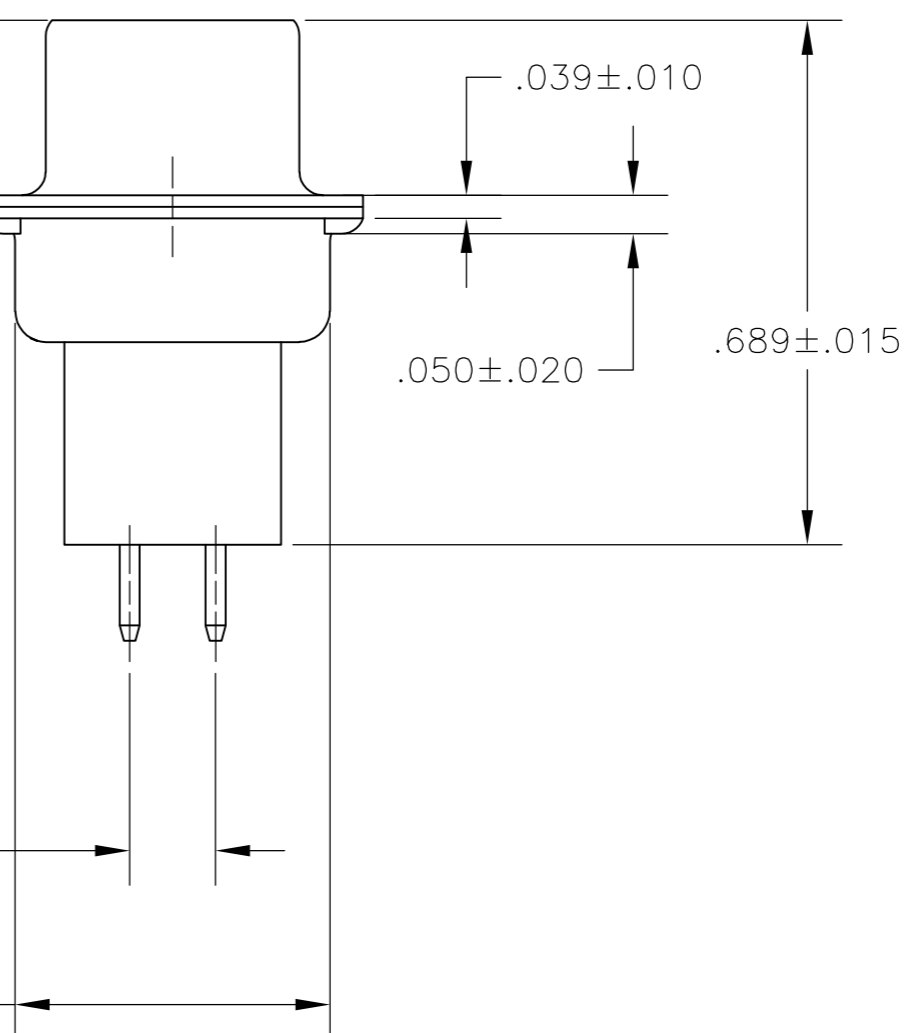
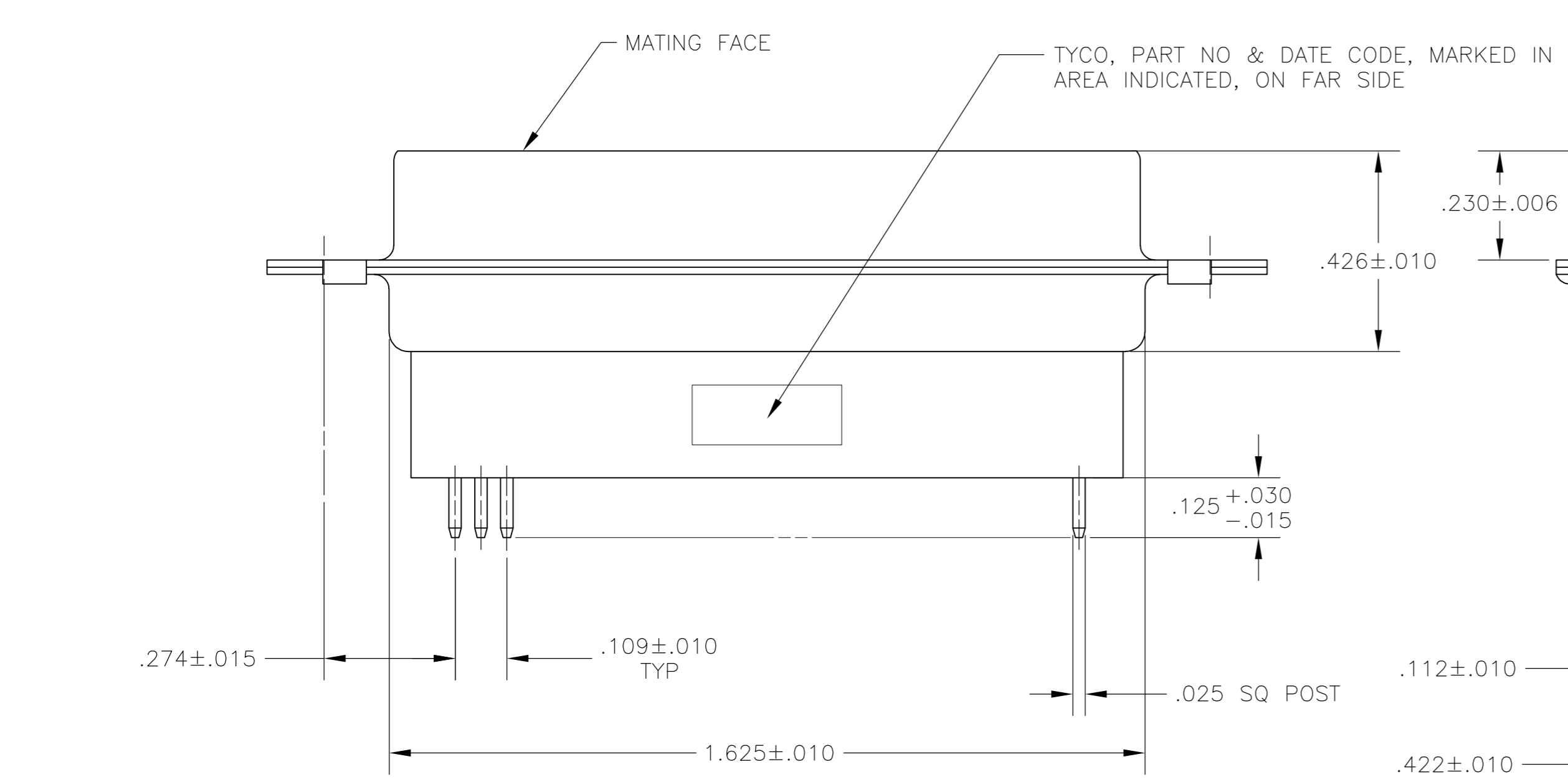


THIS DRAWING IS UNPUBLISHED. RELEASED FOR PUBLICATION  
 © COPYRIGHT 2005 By - ALL RIGHTS RESERVED.

LOC		DIST		REVISIONS			
P	LTR	DESCRIPTION	DATE	DWN	APVD		
GP	00						
	C	REVISED PER ECO-14-011808	11AUG2014	AP	SB		



- 1 MOLDED PARTS: GLASS-FILLED PBT OR GLASS-FILLED NYLON, UL94V-0 RATED. COLOR: BLACK.  
SHELLS: CARBON STEEL.  
CONTACTS: BRASS.
- 2 SHELLS: .000200 MIN TIN OVER .000100 MIN COPPER.  
CONTACTS: GOLD PLATED FOR LENGTH OF .150 MIN FROM MATING END, GOLD FLASH IN MATED AREA, .000100 MIN TIN ON OPPOSITE END, BOTH OVER .000050 MIN NICKEL.



5745186

5745186-2  
PART NO

THIS DRAWING IS A CONTROLLED DOCUMENT.		DWN B. LATTUCA 08SEPT05	TE Connectivity	
DIMENSIONS: INCHES		CHK S. BOLASH 08SEPT05	NAME M. WALMSLEY 08SEPT05	
TOLERANCES UNLESS OTHERWISE SPECIFIED:		APVD M. WALMSLEY 08SEPT05	PRODUCT SPEC 108-40025	
0 PLC ± -		APPLICATION SPEC 114-40013	SIZE A2	CAGE CODE 00779
1 PLC ± -		WEIGHT -	DRAWING NO C=5745186	RESTRICTED TO -
2 PLC ± -		CUSTOMER DRAWING		
3 PLC ± .005		SCALE NTS	SHEET 1 of 1	REV C
4 PLC ± -				
ANGLES ± -				
FINISH				