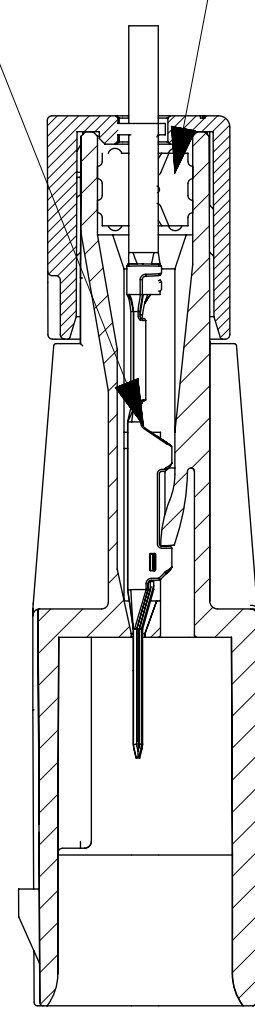


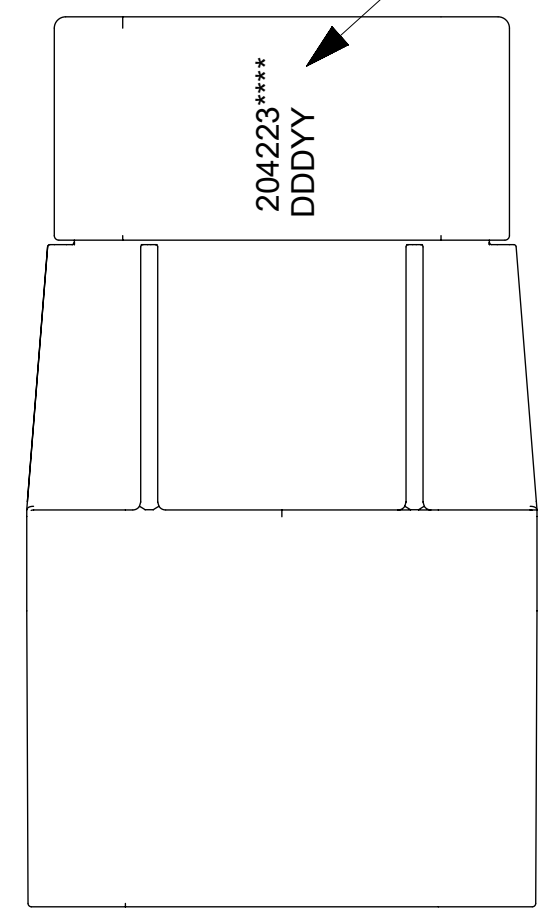
TERMINAL SHOWN INSERTED INTO HOUSING FOR REF ONLY

MATTE SEAL

LASER MARKED THIS SURFACE WITH MOLEX PART NUMBER AND JULIAN DATE CODE: DDDYY

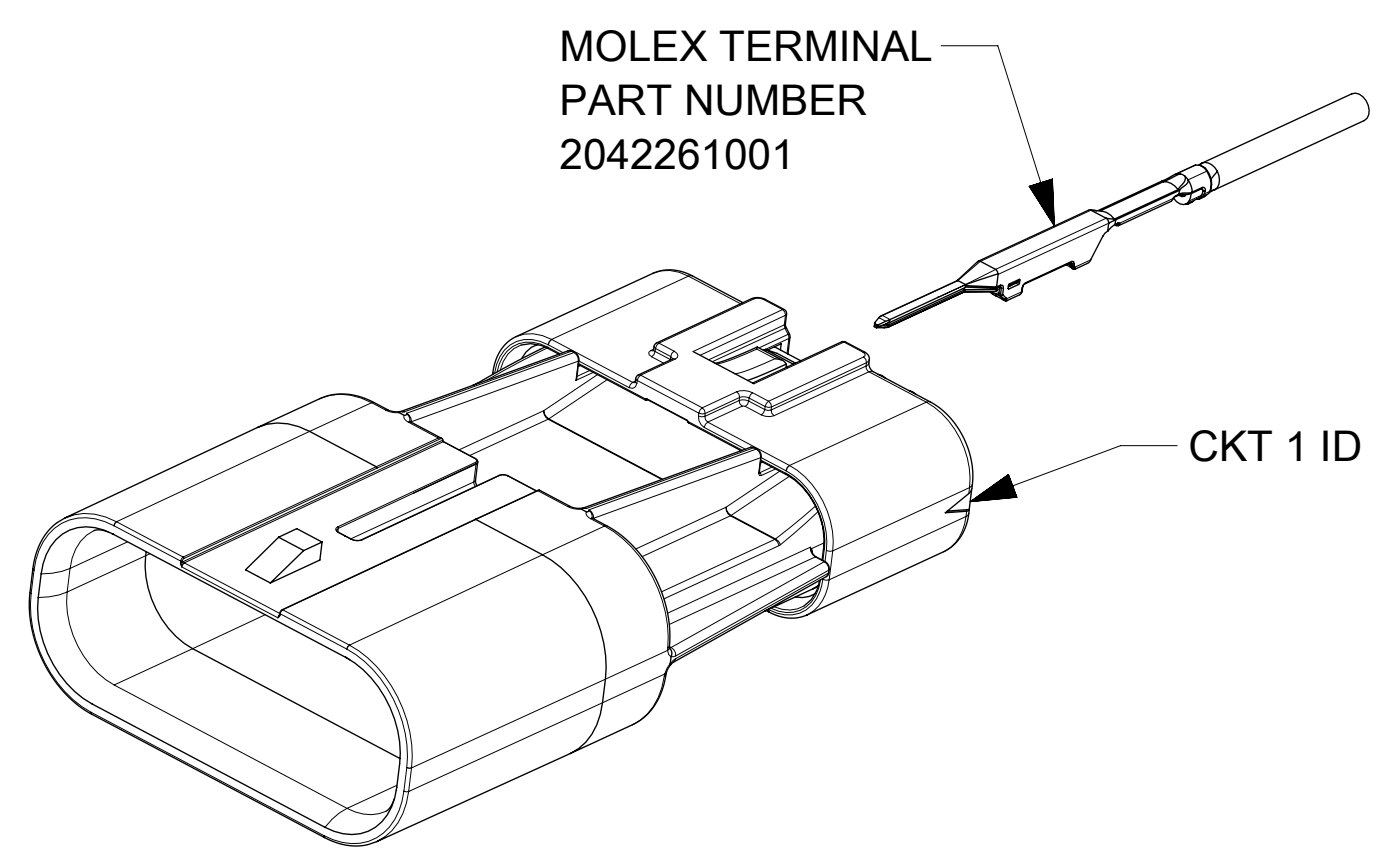
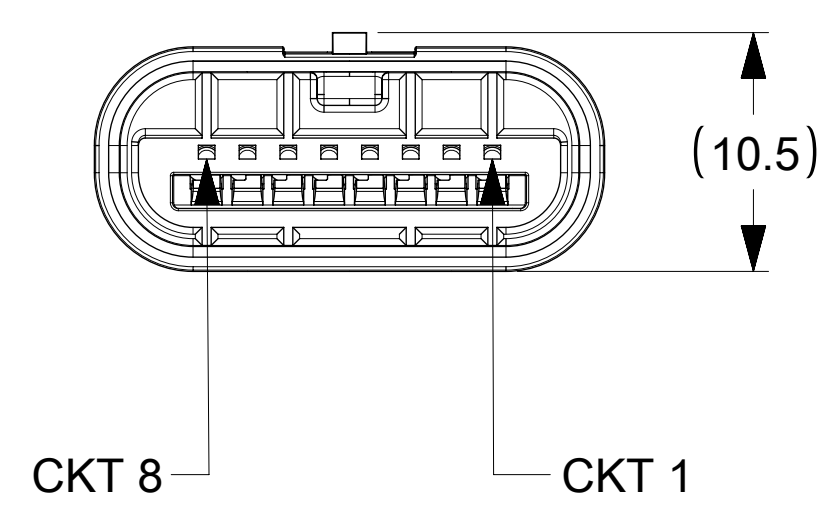


SECTION A-A



NOTES:

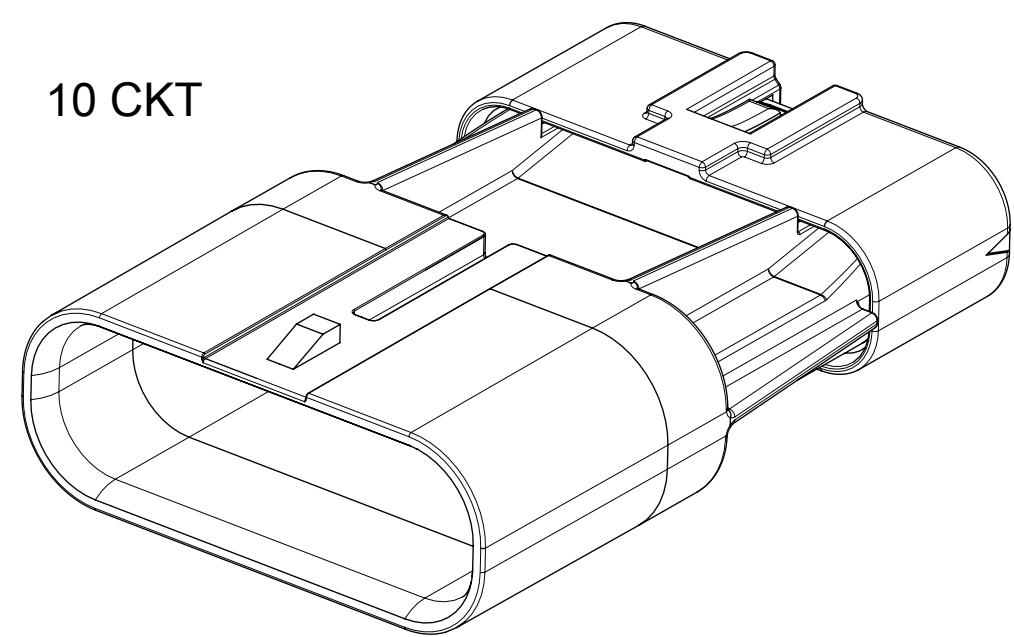
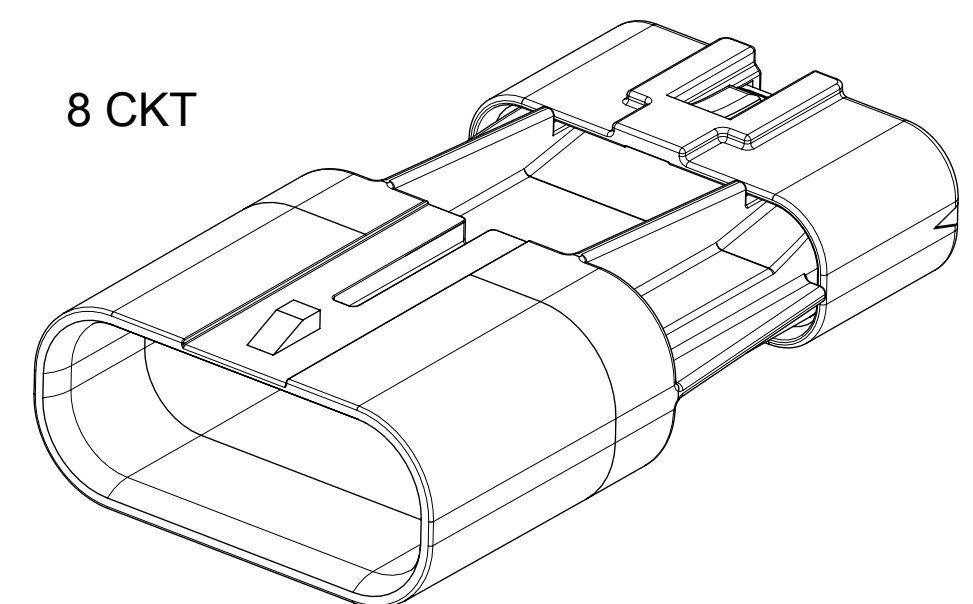
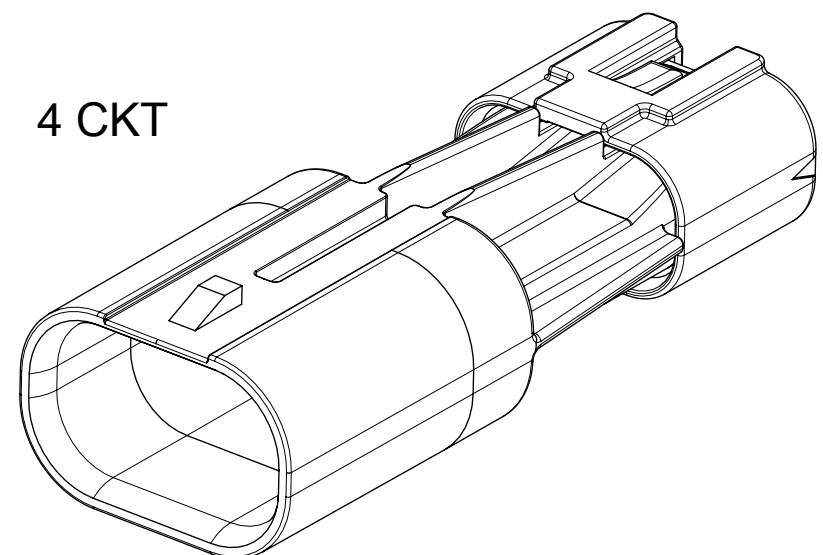
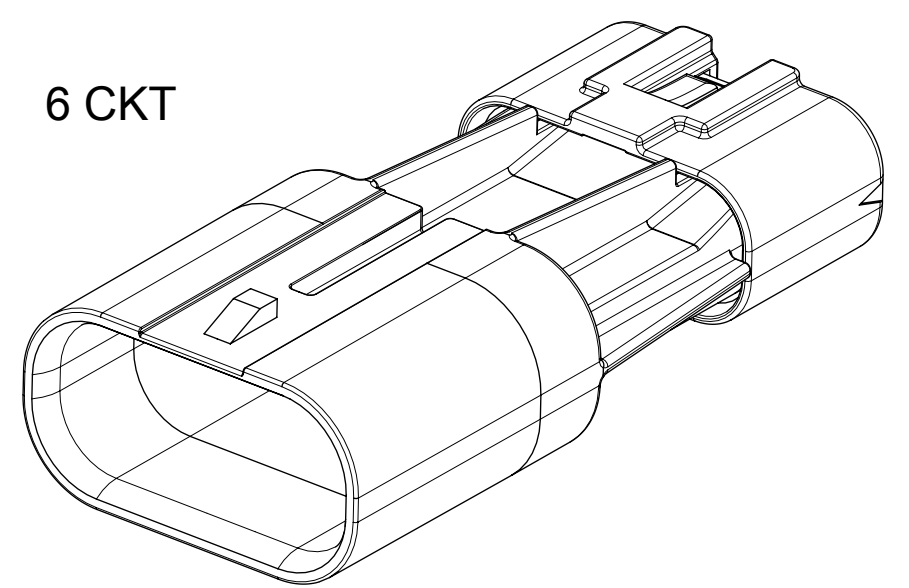
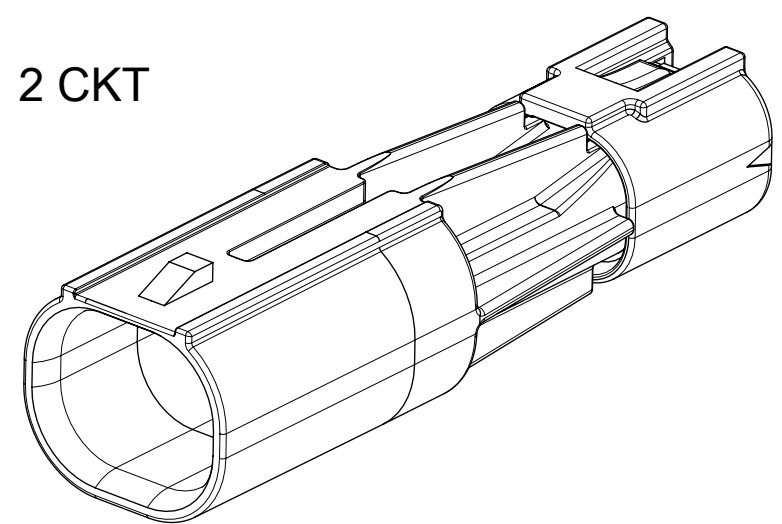
1. MATERIAL:
HOUSING & REAR SEAL CAP: NYLON, UL94V-0, BLACK
SEALS: INHERENTLY LUBRICATED SILICONE
2. FINISH: NONE
3. PRODUCT SPECIFICATION: 2042200000-PS
4. APPLICATION SPECIFICATION: 2042200000-AS
- ⓑ1 5. PACKAGING SPECIFICATION: 2042230000-PK, 2042230100-PK
6. THIS PART MATES WITH RECEPTACLE SERIES 204220.
7. THIS PART USES TERMINAL PART NUMBER 2042261001.
8. THIS PART CONFORMS TO CLASS 'C' REQUIREMENTS OF COSMETIC SPECIFICATION PS-45499-002.
9. VOIDED CIRCUITS HAVE A PLUG IN THE MATTE SEAL TO SEAL THE CIRCUIT AND WILL NOT ACCEPT TERMINALS.
10. THE 7MM CLIP SLOT CONFORMS TO EWCAP-005 REV D



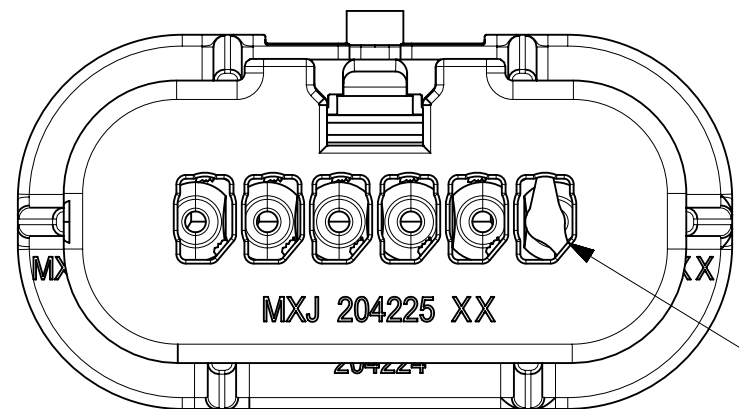
CIRCUIT SIZE	DIM A
2	11.7
4	15.3
6	18.9
8	22.5
10	26.1

FUNCTIONAL SYMBOLS $\nabla_A = 0$ $\nabla_C = 0$ $\nabla_P = 0$	THIS DRAWING CONTAINS INFORMATION THAT IS PROPRIETARY TO MOLEX ELECTRONIC TECHNOLOGIES, LLC AND SHOULD NOT BE USED WITHOUT WRITTEN PERMISSION	SCALE		CURRENT REV DESC:											
	DIMENSION UNITS	mm	3:1	EC NO: 724638											
	GENERAL TOLERANCES (UNLESS SPECIFIED)				DRWN: VENKAS5				2022/10/13						
	ANGULAR TOL ± °				CHK'D: VENKAS5				2022/10/13						
DIVISIONAL SYMBOLS 4 PLACES ± 3 PLACES ± 2 PLACES ± 1 PLACE ± 0.2 0 PLACES ±	DRAFT WHERE APPLICABLE MUST REMAIN WITHIN DIMENSIONS				THIRD ANGLE PROJECTION				DRAWING SERIES						
	C-SIZE				204223				MATERIAL NUMBER						
	SEE TABLE				CUSTOMER				GENERAL MARKET						
	SHEET NUMBER				1 OF 3				DOCUMENT NUMBER						
2042230000-SD				PSD				000				B1			

CIRCUIT SIZE	MATERIAL NUMBER	VOIDED CIRCUIT SEE NOTE 9	CLIP SLOT VERSION
2	204223-0002	NONE	NO
4	204223-0004	NONE	NO
6	204223-0006	NONE	NO
8	204223-0008	NONE	NO
10	204223-0010	NONE	NO
2	204223-9902	ALL CIRCUITS VOIDED	NO
4	204223-9904	ALL CIRCUITS VOIDED	NO
6	204223-9906	ALL CIRCUITS VOIDED	NO
8	204223-9908	ALL CIRCUITS VOIDED	NO
10	204223-9910	ALL CIRCUITS VOIDED	NO
4	204223-4004	4	NO
6	204223-6006	6	NO
8	204223-8008	8	NO
10	204223-1110	10	NO
8	204223-9808	1,2,5,6	NO
8	204223-9708	5	NO
8	204223-9608	3,6	NO
2	204223-0102	NONE	YES
4	204223-0104	NONE	YES
6	204223-0106	NONE	YES
8	204223-0108	NONE	YES
10	204223-0110	NONE	YES



AVAILABLE CIRCUIT SIZES

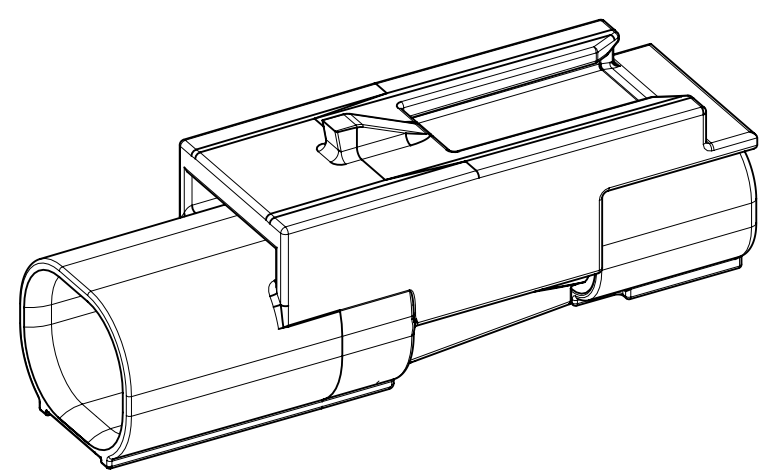


VOIDED CIRCUIT(S)
HAVE PLUG(S) PRESENT
SEE NOTE 9

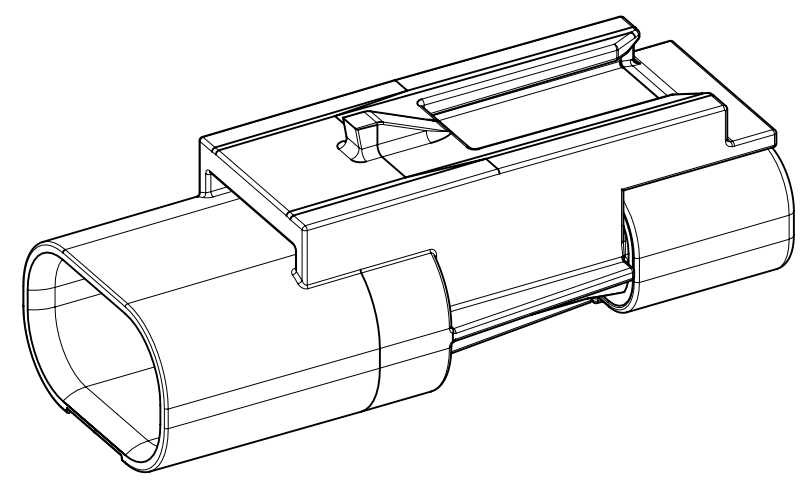
FUNCTIONAL SYMBOLS $\nabla_A = 0$ $\nabla_C = 0$ $\nabla_P = 0$ DIVISIONAL SYMBOLS	THIS DRAWING CONTAINS INFORMATION THAT IS PROPRIETARY TO MOLEX ELECTRONIC TECHNOLOGIES, LLC AND SHOULD NOT BE USED WITHOUT WRITTEN PERMISSION		CURRENT REV DESC:		
	DIMENSION UNITS	SCALE	EC NO: 724638		
	mm	3:1	DRWN: VENKAS5 2022/10/13		
	GENERAL TOLERANCES (UNLESS SPECIFIED)		CHK'D: VENKAS5 2022/10/13		
ANGULAR TOL ± °		APPR: MRAMAKRISHNA 2022/10/19		PRODUCT CUSTOMER DRAWING	
4 PLACES ±		INITIAL REVISION:		DOCUMENT NUMBER	DOC TYPE DOC PART REVISION
3 PLACES ±		DRWN: TGREGORI 2017/05/03		2042230000-SD	PSD 000 B1
2 PLACES ±		APPR: RHODGE 2018/01/26			
1 PLACE ± 0.2		DRAFT WHERE APPLICABLE MUST REMAIN WITHIN DIMENSIONS		MATERIAL NUMBER	CUSTOMER
0 PLACES ±		THIRD ANGLE PROJECTION	DRAWING	SERIES	SHEET NUMBER
			C-SIZE	204223	SEE TABLE GENERAL MARKET 2 OF 3

CONFIGURATIONS
SCALE : 3:1

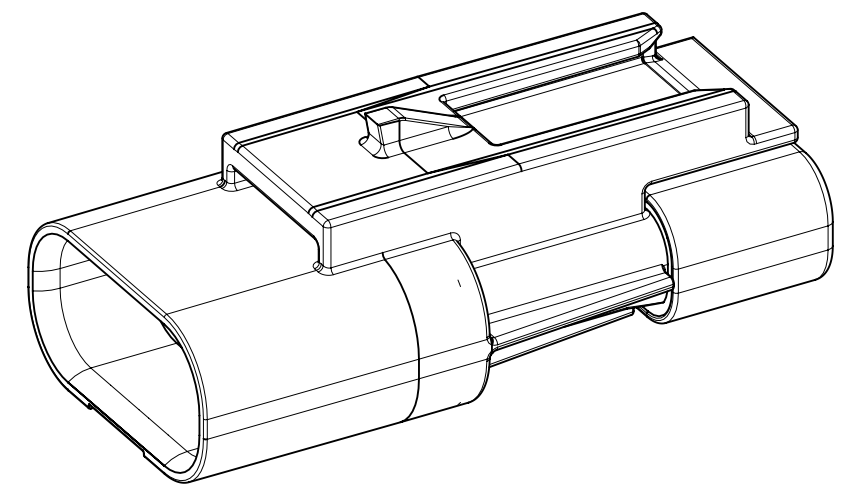
CIRCUIT SIZE	DIM A
2	11.7
4	15.3
6	18.9
8	22.5
10	26.1



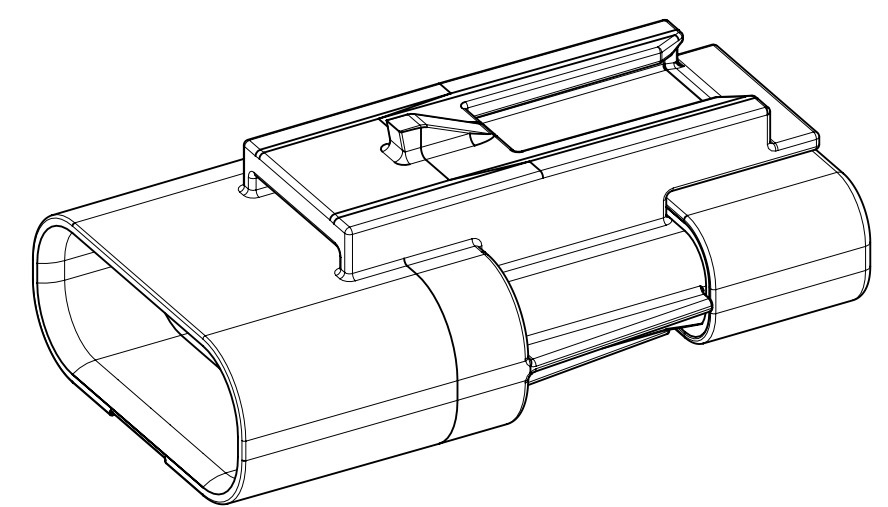
2 CIRCUIT



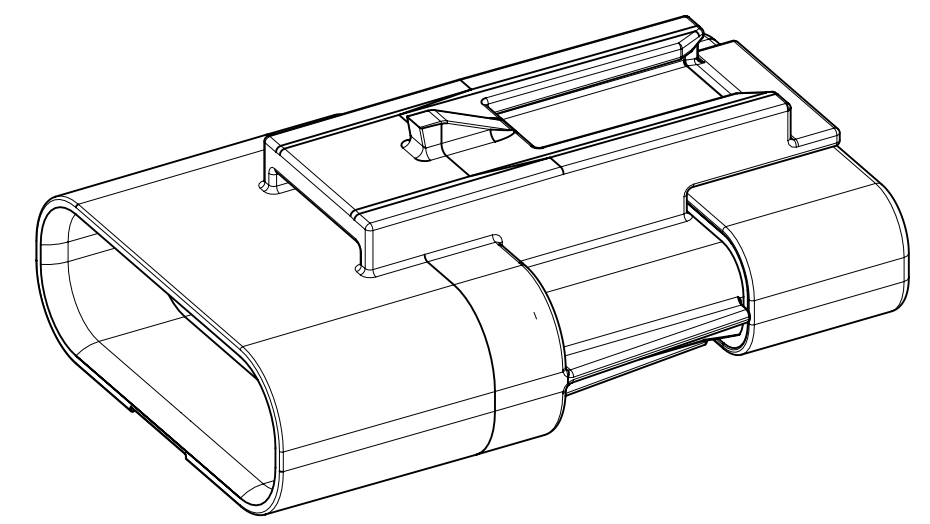
4 CIRCUIT



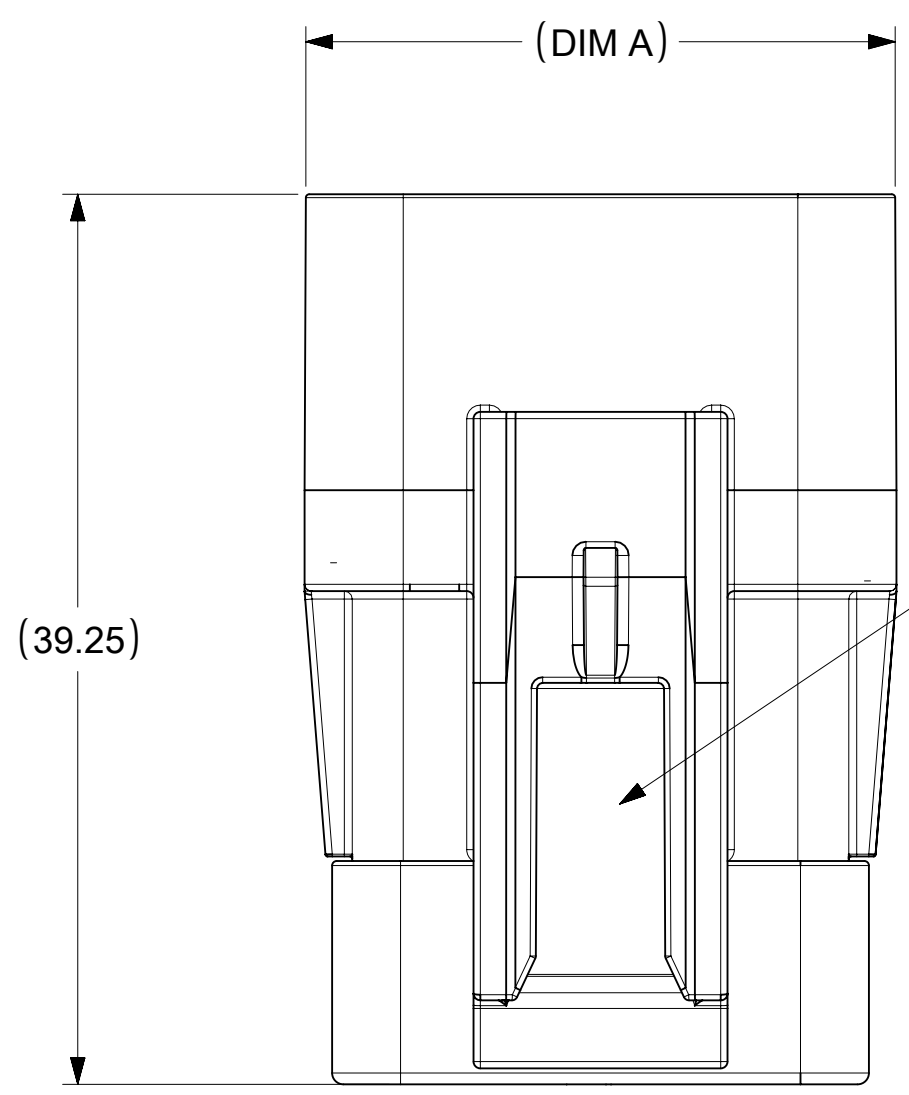
6 CIRCUIT



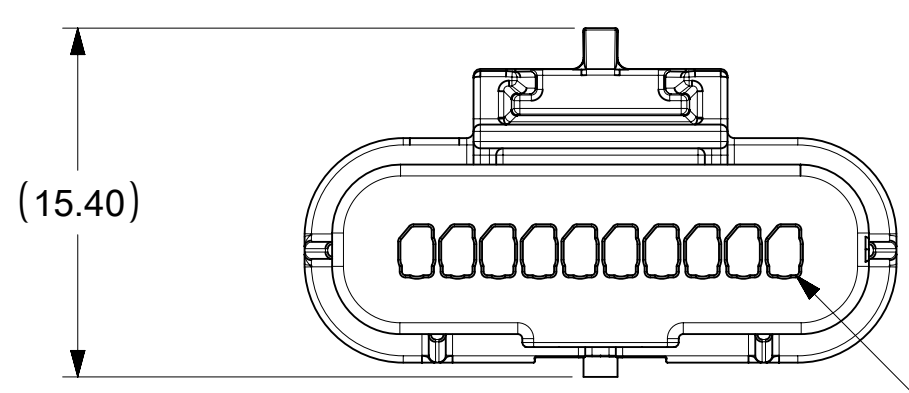
8 CIRCUIT



10 CIRCUIT

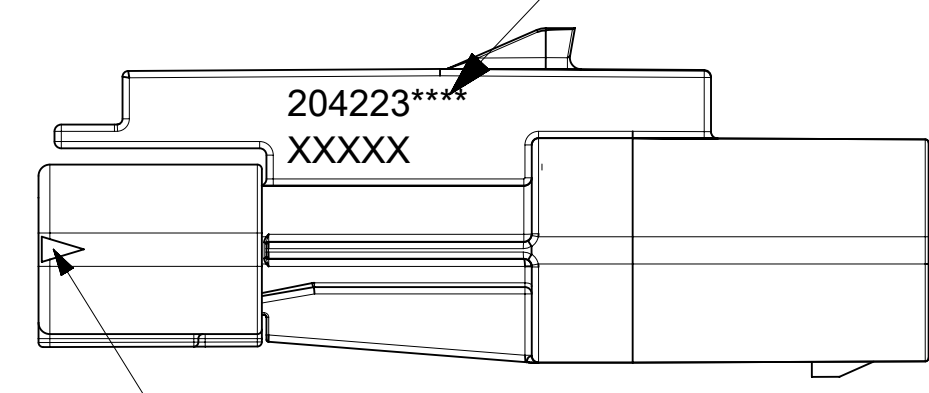


EWCAP-005 7MM CLIP SLOT



CKT 1

LASER MARKED THIS SURFACE WITH MOLEX PART NUMBER AND JULIAN DATE CODE: DDDYY



CKT 1 ID

FUNCTIONAL SYMBOLS $\nabla_A = 0$ $\nabla_C = 0$ $\nabla_P = 0$ DIVISIONAL SYMBOLS	THIS DRAWING CONTAINS INFORMATION THAT IS PROPRIETARY TO MOLEX ELECTRONIC TECHNOLOGIES, LLC AND SHOULD NOT BE USED WITHOUT WRITTEN PERMISSION		CURRENT REV DESC:				
	FUNCTIONAL DIMENSION UNITS mm	SCALE 3:1	EC NO: 724638 DRWN: VENKAS5 2022/10/13 CHK'D: VENKAS5 2022/10/13 APPR: MRAMAKRISHNA 2022/10/19			PLUG ASSEMBLY SQUBA 1.8	
	GENERAL TOLERANCES (UNLESS SPECIFIED) ANGULAR TOL ± °		INITIAL REVISION: DRWN: TGREGORI 2017/05/03 APPR: RHODGE 2018/01/26				PRODUCT CUSTOMER DRAWING
	4 PLACES ± 3 PLACES ± 2 PLACES ± 1 PLACE ± 0.2 0 PLACES ±		THIRD ANGLE PROJECTION 			DOCUMENT NUMBER 2042230000-SD	DOC TYPE PSD
DRAFT WHERE APPLICABLE MUST REMAIN WITHIN DIMENSIONS		DRAWING C-SIZE	SERIES 204223	MATERIAL NUMBER SEE TABLE	CUSTOMER GENERAL MARKET	SHEET NUMBER 3 OF 3	

DOCUMENT STATUS	P1	RELEASE DATE	2022/10/19	08:39:04
-----------------	----	--------------	------------	----------