



ANATECH ELECTRONICS INC
RF & Microwave Filters & Products

1732.5 MHz Ceramic Bandpass Filter

Part Number: AM1732B1194



Electrical specifications

Center Frequency: 1732.5 MHz

Bandwidth: $F_0 \pm 22.5$ MHz

VSWR: 1.7 : 1

Input / Output Impedance: 50 Ohms

Passband: 1721.247-1743.75 MHz

Passband Insertion Loss: 2.0 dB max

Passband Ripple: 0.7 dB max

Rejection: 50 dB min 2017.2-2062 MHz

Rejection 2: 50 dB min 3420-3510 MHz

Power Handling: 2 watt min

Mechanical

Mounting Method: SMT

Dimensions: 18.2 x 14 x 5 mm

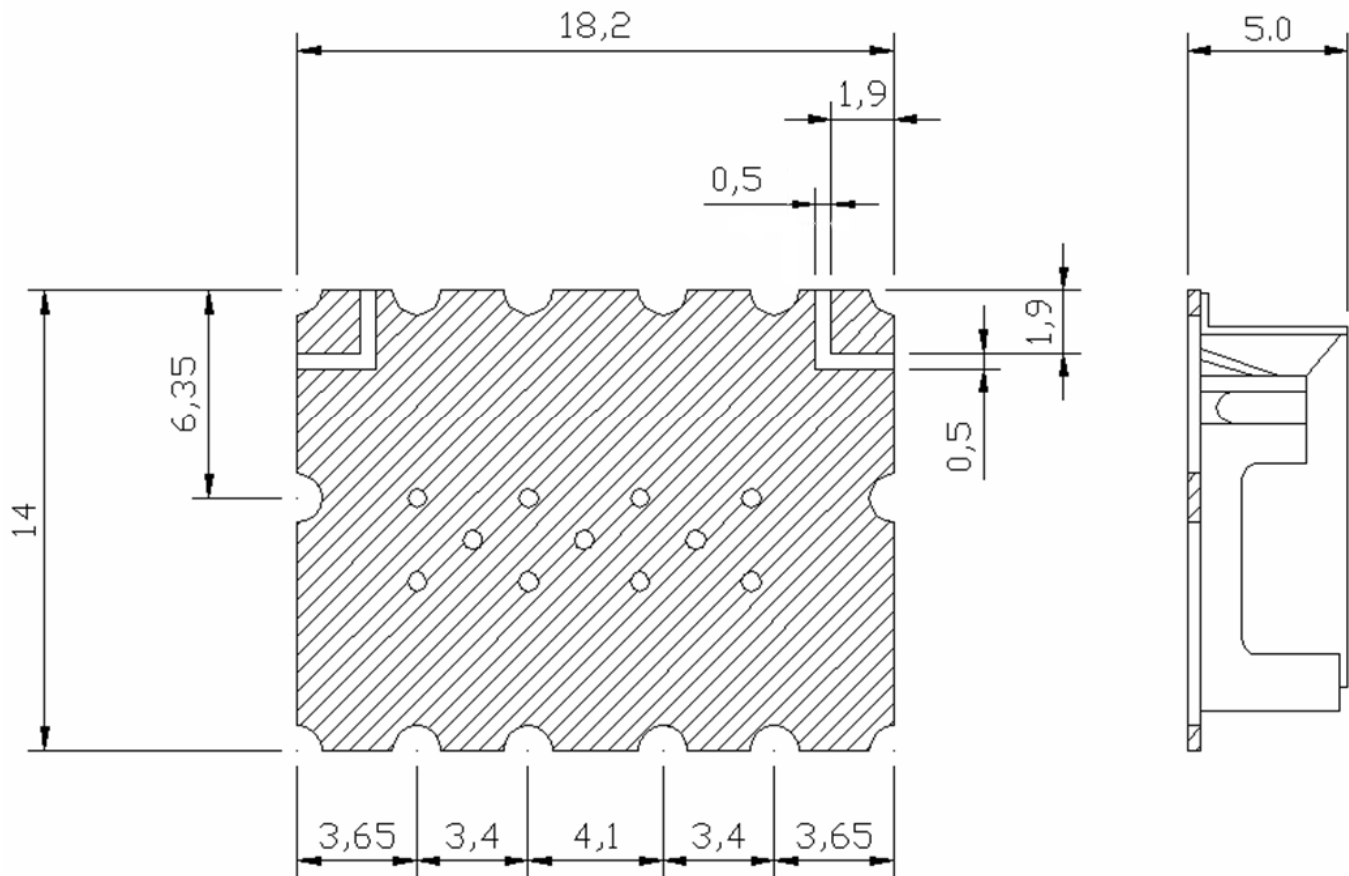
Environmental

Operating Temperature: -20°C to 70°C

Storage Temperature: -50°C to +90°C

This product is RoHs compliant.

Outline Drawing:



Unit : mm

Tolerance : ± 0.3