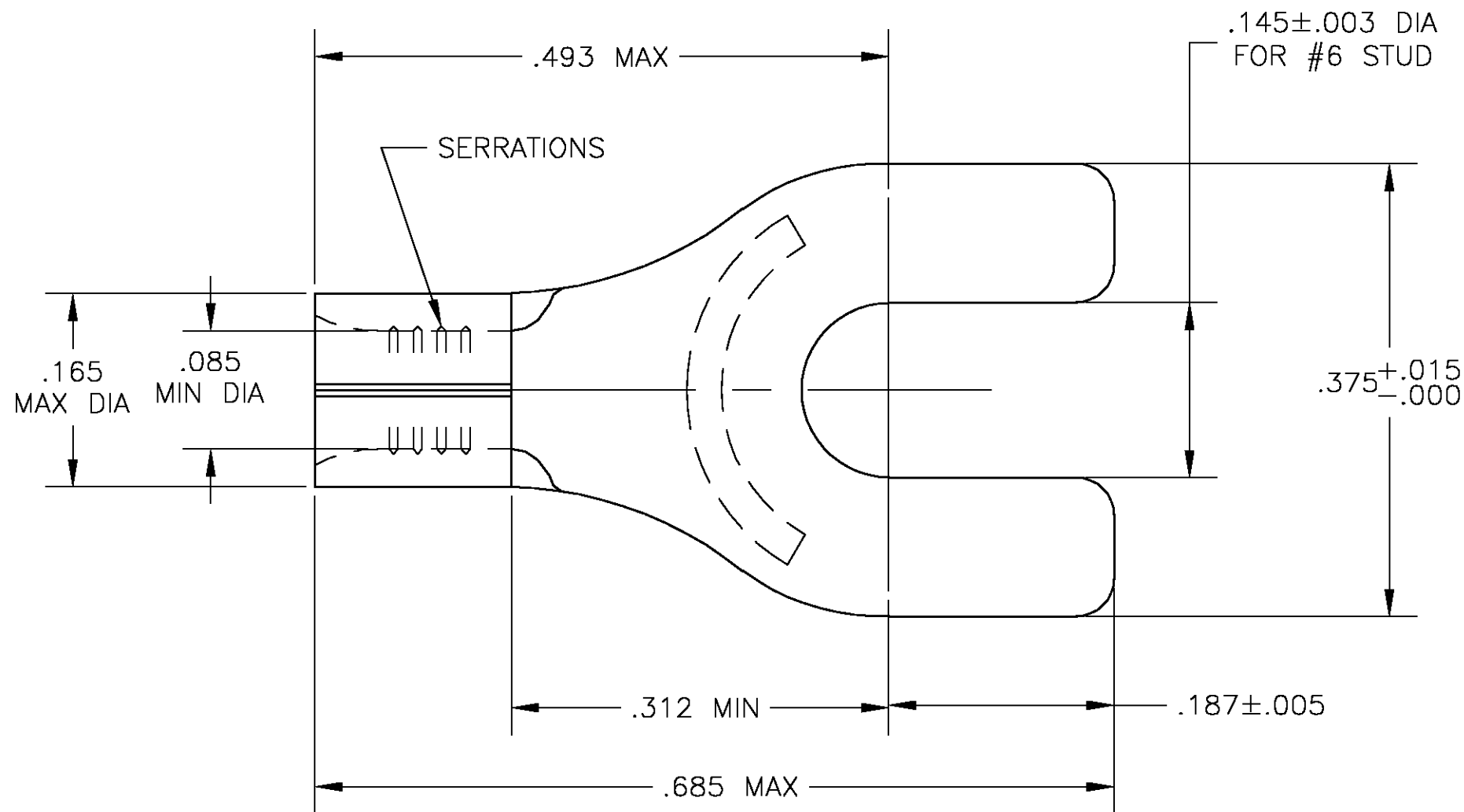


THIS DRAWING IS UNPUBLISHED. RELEASED FOR PUBLICATION  
 © COPYRIGHT BY TYCO ELECTRONICS CORPORATION. ALL RIGHTS RESERVED.

LOC	DIST	REVISIONS			
P	LTR	DESCRIPTION	DATE	DWN	APVD
G	14				
		D	REDRAWN PER 0G3A-0601-03	30SEPT03	JR MS

- 1 FOREIGN PRODUCTION ONLY
- 2 TIN PLATE PER ASTM B545, ANNEALED.
- 3 TONGUE THK IS  $.031 \pm .002$



34127-0  
PART NO

THIS DRAWING IS A CONTROLLED DOCUMENT.		DWN jr_ruth	30SEPT03	Tyco Electronics Corporation Harrisburg, PA 17105	
DIMENSIONS: INCHES		CHK MJ SPICER	30SEPT03		
		APVD MJ SPICER	30SEPT03	NAME	
TOLERANCES UNLESS OTHERWISE SPECIFIED:		PRODUCT SPEC		TERMINAL	
0 PLC	± -	APPLICATION SPEC		SOLISTRAND, SPADE	
1 PLC	± -	WEIGHT		WIRE SIZE: 16-14	
2 PLC	± -	SIZE		CAGE CODE	DRAWING NO
3 PLC	± .008	A3		00779	C-34127
4 PLC	± -	CUSTOMER DRAWING		SCALE	SHEET
ANGLES	± 5'	RESTRICTED TO		8:1	1 OF 1
FINISH	- 2	REV		D	
MATERIAL COPPER ASTM B152					