

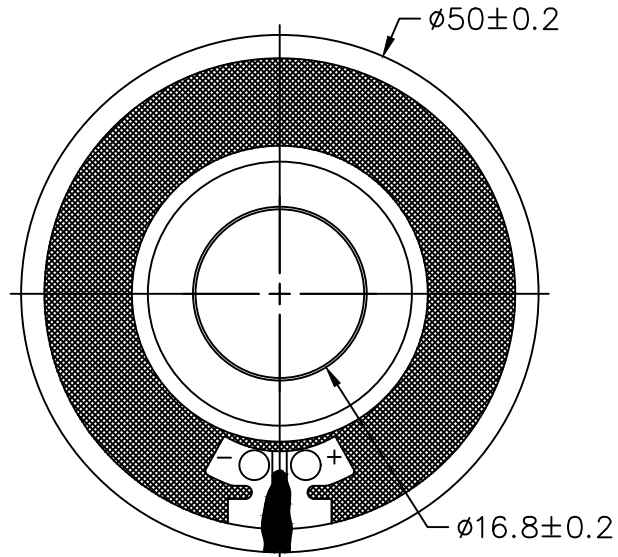
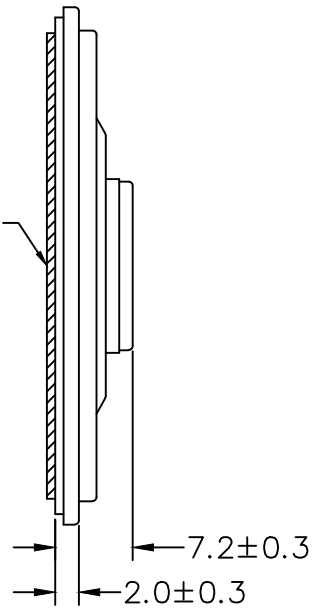
THIS DOCUMENT CONTAINS DATA PROPRIETARY TO PROJECTS UNLIMITED, INC. ANY USE OR REPRODUCTION, IN ANY FORM, WITHOUT PRIOR WRITTEN PERMISSION OF PROJECTS UNLIMITED, INC. IS PROHIBITED.  
© 2005, Projects Unlimited Inc.

### SPECIFICATIONS

PARAMETERS	VALUES	UNITS
RATED INPUT POWER	1.0	W
MAX INPUT POWER	1.5	W
IMPEDANCE	45±15%	OHM
OUTPUT SPL @ 1.5W/0.1M (AT 0.6, 0.8, 1.0, 1.2kHz)	102±3	dB
DISTORTION (MAX.)	5%	-
RESONANT FREQUENCY	350±20%	Hz
FREQUENCY RANGE	230 ~ 15,000	Hz
HOUSING MATERIAL	METAL	-
CONE MATERIAL	MYLAR	-
MAGNET MATERIAL	NdFeB	-
OPERATING TEMPERATURE	-20 ~ +60	°C
WEIGHT	11.6	grams

REVISIONS			
LTR	DESCRIPTION	DATE	APPROVED
-	RELEASED FROM ENGINEERING	11/9/15	


ALLOW AT LEAST 0.8mm FOR DIAPHRAGM MOVEMENT



**NOTES:**

1. ALL DIMENSIONS ARE IN MILLIMETERS.
2. SPECIFICATION SUBJECT TO CHANGE OR WITHDRAWAL WITHOUT NOTICE.
3. THIS PART IS RoHS 2011/65/EU COMPLIANT.

FILE NAME  
AS05045MR-R.DWG

UNLESS OTHERWISE SPECIFIED: ALL PURCHASES ARE SUBJECT TO THE PUI AUDIO TERMS AND CONDITIONS SALE FOUND AT <a href="http://www.puiaudio.com/pdf/terms_conditions.pdf">http://www.puiaudio.com/pdf/terms_conditions.pdf</a> (paper copy available upon request). DIMENSIONS ARE IN MILLIMETERS, TOLERANCES ARE ±0.5 AND ANGLES ARE ±3°.		 <p><b>pui audio</b><sup>inc</sup> a projects unlimited company</p>	3541 Stop Eight Road Dayton, Ohio 45414
APPROVALS	DATE		
DRAWN	M.L.	11/15	<b>SPEAKER</b> DRAWING NO. AS05045MR-R
CHECKED	M.L.	11/15	
APPROVED	B.R.	11/15	
SIZE		A	SCALE: N.T.S.
SHEET 1 OF 1			