

NOTES:

1. MATERIALS AND FINISHES:

- HEX NUT - BRASS, GOLD PLATING
- LOCK WASHER - BRASS, GOLD PLATING
- BODY - BRASS, GOLD PLATING
- CONTACT - BERYLLIUM COPPER, GOLD PLATING
- INSULATOR - PTFE, NATURAL

2. ELECTRICAL:

- A. IMPEDANCE: 50 OHM
- B. FREQUENCY RANGE: 0-6 GHz
- C. D.W.V.: 1000 VRMS, MIN.

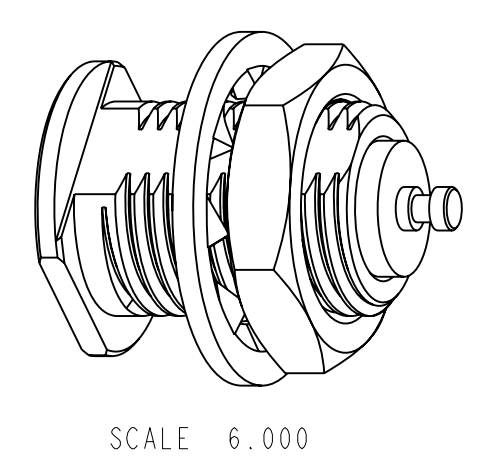
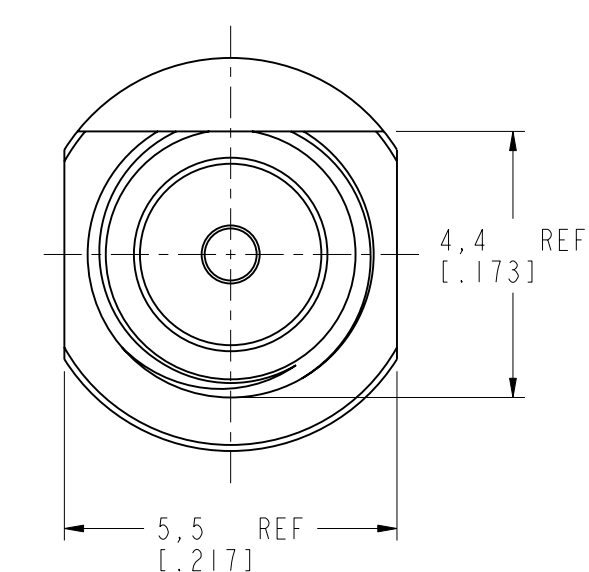
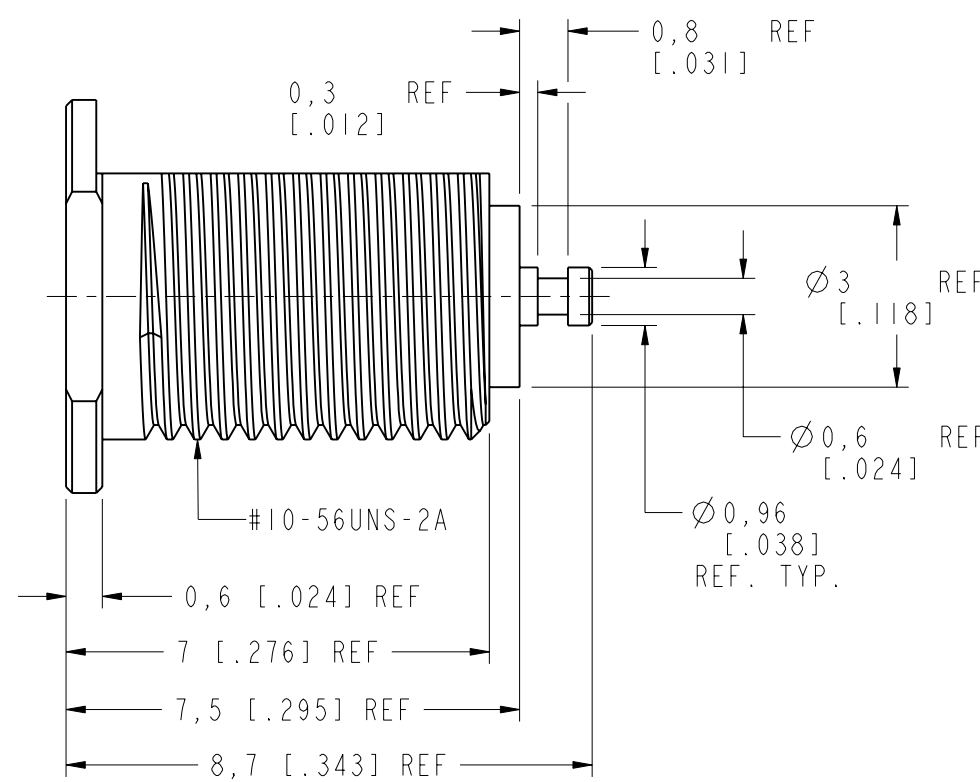
3. MECHANICAL:

- A. DURABILITY: 500 CYCLES MIN.
- B. TEMPERATURE RANGE: -55°C TO +155°C

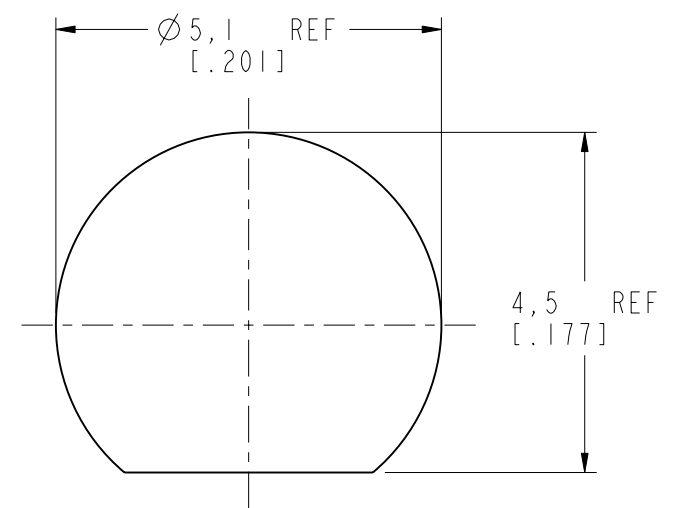
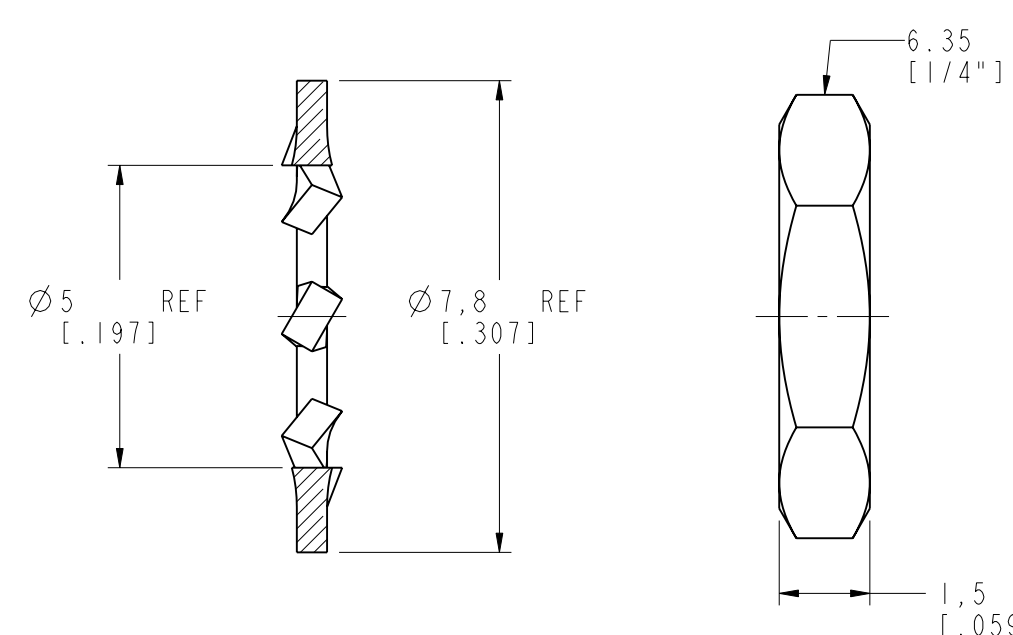
THIRD ANGLE PROJ.

REVISIONS

REV	DESCRIPTION	DATE	ECO	APPR
C	ADDED COD DRAWING	28-Jul-17	04561	RM



LOCK WASHER & HEX NUT
ARE NOT SHOWN IN THIS VIEW



RECOMMENDED
MOUNTING HOLE
SCALE 10.000

CUSTOMER OUTLINE DRAWING
ALL OTHER SHEETS ARE FOR INTERNAL USE ONLY

<p>UNLESS OTHERWISE SPECIFIED, DIMENSIONS ARE IN METRIC AND TOLERANCES ARE: <0.5mm ±0.05mm 0.5 - 6mm ±0.1mm 6 - 30mm ±0.2mm 30 - 120mm ±0.3mm ANGLES ±1°</p>	MATERIAL	DRAWN R. MAO	DATE 14-Jul-17	<p>TITLE MCX BULKHEAD RECEPT. JACK</p>	<p>Amphenol RF www.amphenolrf.com</p>	
	REFERENCE AND CONFIGURATION LEVEL: In Work	ENGINEER R. MAO	DATE 14-Jul-17			DRAWING NO. MCX6351B9-3GT30G-50
<p>NOTICE - These drawings, specifications, or other data (1) are, and remain the property of Amphenol corp. (2) must be returned upon request; and (3) are confidential and not to be disclosed to any person other than those to whom they are given by Amphenol Corp. the furnishing of these drawings, specifications, or other data by Amphenol Corp., or to any other person to anyone for any purpose is not to be regarded by implication or otherwise in any manner licensing, granting rights to permitting such holder or any other person to manufacture, use or sell any product, process or design, patented or otherwise, that may in any way be related to or disclosed by said drawings, specifications, or other data.</p>	FINISH	APPROVED S. HSIEH	DATE 28-Jul-17	SCALE: 8.0:1.0	SHEET 2 OF 2	
			CAD FILE		DWG SIZE B	REV C
						PART NO. 252133