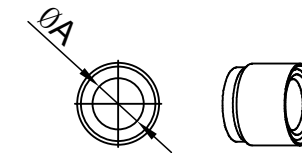
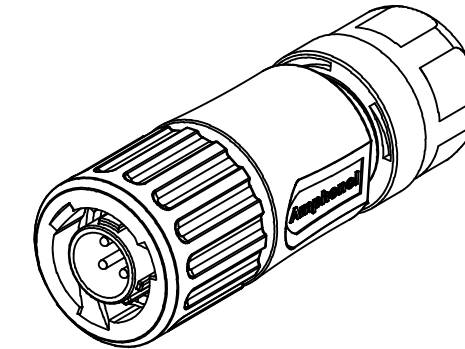
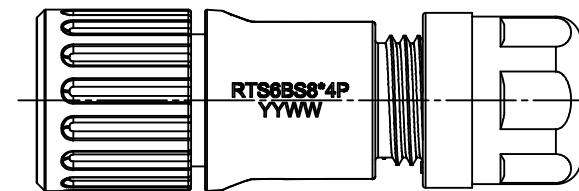
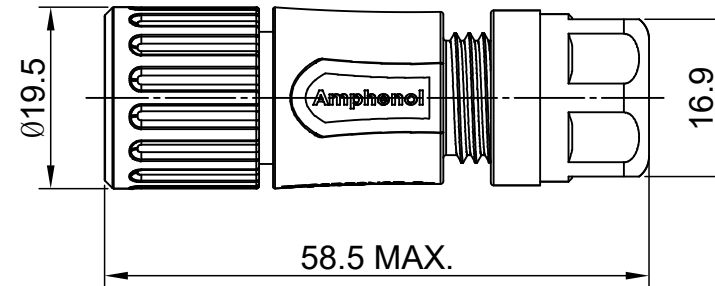
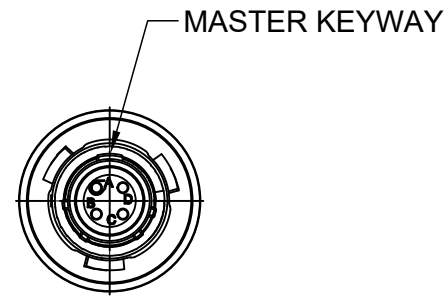


REVISIONS					
REV	ECO	DESCRIPTION	DATE	BY	APPR
A1	--	RELEASED DRAWING	Aug-09-2016	Sullen	Tommy
A2	--	UPDATE NOTES	Jun-20-2017	Nick	Tommy
A3	--	UPDATE DRAWING	Mar-16-2018	White	Tommy



NOTES : (UNLESS OTHERWISE SPECIFIED)

- MATERIAL :
  - SHELL : THERMOPLASTIC , UL94 V-0.
  - INSERT : CHLOROPRENE RUBBER.
  - COUPLING NUT : THERMOPLASTIC , UL94 V-0.
  - O-RING : NBR.
  - WASHER : SILICONE RUBBER.
  - BACK SHELL : THERMOPLASTIC , UL94 V-0.
  - CLAMP NUT : THERMOPLASTIC , UL94 V-0.
  - CLAMP RING : THERMOPLASTIC , UL94 V-0.
  - CABLE SEAL : EPDM.
  - CONTACT : COPPER ALLOY , GOLD PLATED.
- SPECIFICATIONS :
  - 2.1 RATED CURRENT : 7A (MAX).
  - 2.2 RATED VOLTAGE : 250V(AC/DC).
  - 2.3 OPERATING TEMPERATURE : -40°C ~ +105°C .
  - 2.4 DIELECTRIC WITHSTANDING VOLTAGE : LESS THAN 2 MILLIAMPS CURRENT LEAKAGE@1500 VOLTS AC.
  - 2.5 INSULATION RESISTANCE : 5000 MEGOHMS MIN.
  - 2.6 IP--CLASS : IP67 AND IP69K IN THE MATED CONDITION.
  - 2.7 MATING CYCLES DURABILITY : 500 CYCLES MIN.
  - 2.8 RoHS COMPLIANT.
- ALL DIMENSIONS ARE FOR REFERENCE USE ONLY.

KEY	DIMENSION ØA	CABLE OD RANGE
N	5.5MM	Ø1.5-5.0MM
	6.8MM	Ø2.5-6.5MM

QUANTITY	PART NUMBER	DESCRIPTION	ITEM
<b>MATERIALS LIST</b>			
UNLESS OTHERWISE SPECIFIED 1) All dimensions are in metric(mm). 2) Tolerances are as follows: 1 PL DEC ±0.30 2 PL DEC ±0.15 3 PL DEC ±0.08 3) Note reference =		SIGNATURES DRAWN: White CHECKED: Tod ENGINEER: APPROVAL: Tommy	DATE Mar-16-2018 Mar-16-2018 Mar-16-2018
MATERIAL SPECIFICATIONS:		<b>Amphenol</b> Sine Systems - www.amphenol-sine.com 44724 Morley Drive Clinton Township, MI 48036	
PROCESS SPECIFICATIONS:		ECO-MATE,PLUG CONNECTOR SIZE 8,4POS,PIN	
NEXT ASSY:		THIS DRAWING IS SUPPLIED FOR INFORMATION ONLY. DESIGN FEATURES, SPECIFICATIONS AND PERFORMANCE DATA SHOWN HEREON ARE THE PROPERTY OF THE AMPHENOL CORPORATION. NO RIGHTS OF REPRODUCTION ARE IMPLIED. ALL DIMENSIONS ARE SUBJECT TO NORMAL MANUFACTURING VARIATIONS.	SIZE: B C- TYPE: NONE DWG NO: RTS6BS8*4P REVISION: A3
		SCALE: NONE	SHEET 1 OF 1

TITLE: ECO-MATE,PLUG CONNECTOR,SIZE 8,4POS,PIN  
DWG NO: RTS6BS8\*4P  
REV: A3  
SH: 1  
OF: 1