

1

2

3

4

5

6

7

A

B

C

D

E

F

A

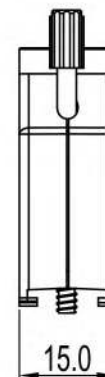
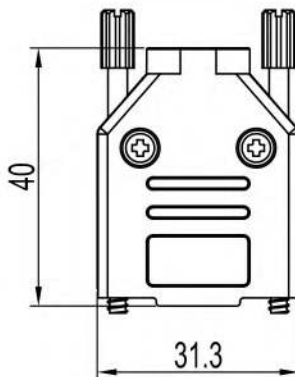
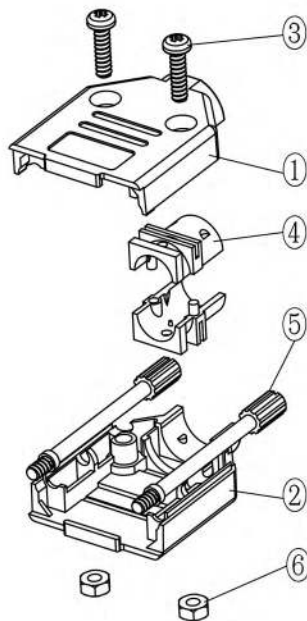
B

C

D

E

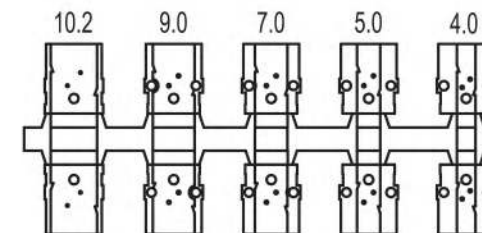
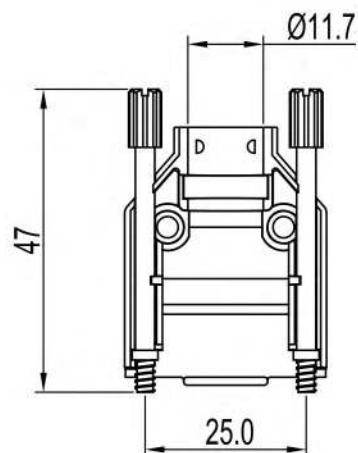
F



TECHNICAL SPECIFICATIONS

Material: ABS Plastic, UL94-HB
 Plating: Nickel over copper
 Operating Temperature: -55°C to +110°C
 Thumbscrews: UNC 4-40

No. of contacts: 09-15-25-37



Grommet Set

Item	QTY	Part description
1	1	Upper Cover
2	1	Lower Cover
3	2	M3x11 Screw
4	1	Grommet Set
5	2	Thumbscrews UNC4-40 x 47mm
6	2	M3 Nut

RoHS compliant
 Unit: mm

Scale	Free				Date	Name	Customer-No.	
TOLERANCE					Drawn	17.08.2017	S.Bölling	
0~6	±0.10				Approved	17.08.2017	S.Bölling	
6~30	±0.20							
30~120	±0.30							
120~400	±0.50							
DIM	Tol							
Angle	±1°	Ⓢ	Drawn	17.08.2017				S.Bölling
Angle	Tol	Id.	Modification	Date				Name

Customer-No.
 ASSMANN WSW-No.
ACOV-SUB-09MB28

Drawing-No.
ASS_5269_CO rev00
 Replace
 Sheet 1/4

1

2

3

4

5

6

7

SV4382

1

2

3

4

5

6

7

A

B

C

D

E

F

A

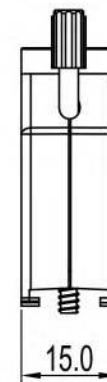
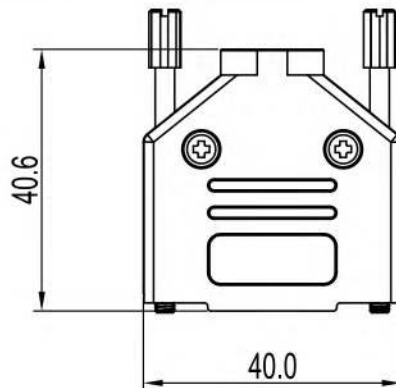
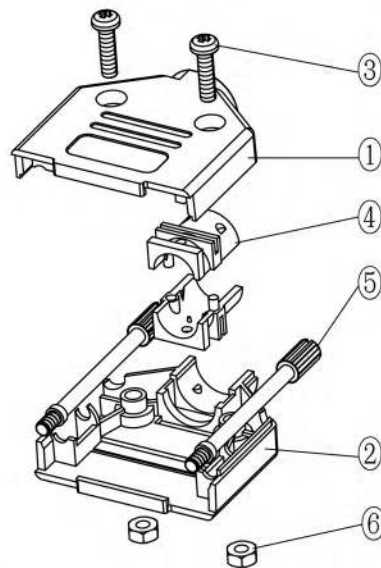
B

C

D

E

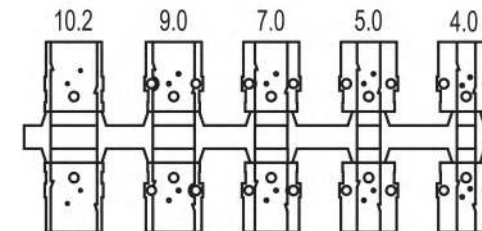
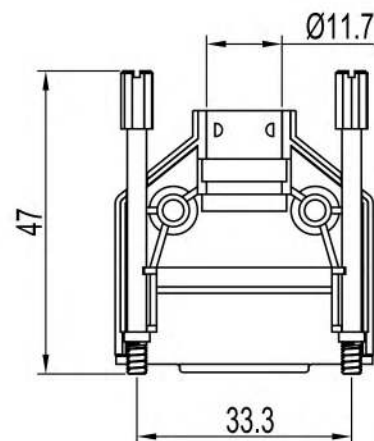
F



TECHNICAL SPECIFICATIONS

Material: ABS Plastic, UL94-HB
 Plating: Nickel over copper
 Operating Temperature: -55°C to +110°C
 Thumbscrews: UNC 4-40

No. of contacts: 09-15-25-37



Grommet Set

Item	QTY	Part description
1	1	Upper Cover
2	1	Lower Cover
3	2	M3x11 Screw
4	1	Grommet Set
5	2	Thumbscrews UNC4-40 x 47mm
6	2	M3 Nut

RoHS compliant
 Unit: mm

Scale	Free				Date	Name	Customer-No.	
TOLERANCE					Drawn	17.08.2017	S.Bölling	
0~6	±0.10				Approved	17.08.2017	S.Bölling	
6~30	±0.20							
30~120	±0.30							
120~400	±0.50							
DIM	Tol							
Angle	±1°	Ⓢ	Drawn	17.08.2017				S.Bölling
Angle	Tol	Id.	Modification	Date				Name

Customer-No.
 ASSMANN WSW-No.
ACOV-SUB-15MB28

Drawing-No.
ASS_5269_CO rev00
 Replace
 Sheet 2/4

1

2

3

4

5

6

7

SV4382

1

2

3

4

5

6

7

A

A

B

B

C

C

D

D

E

E

F

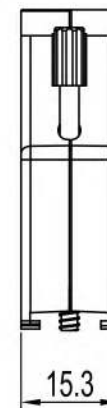
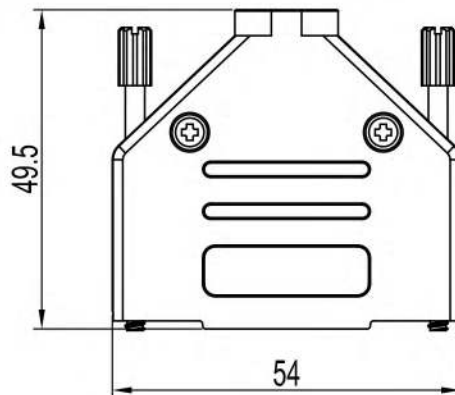
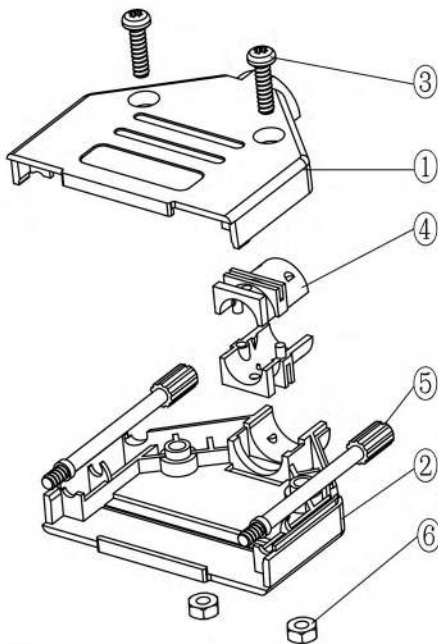
F

G

G

H

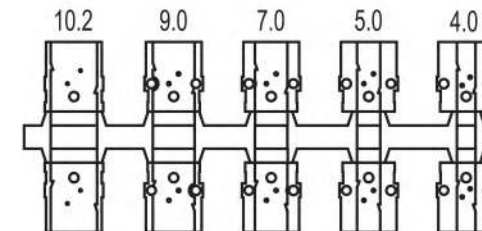
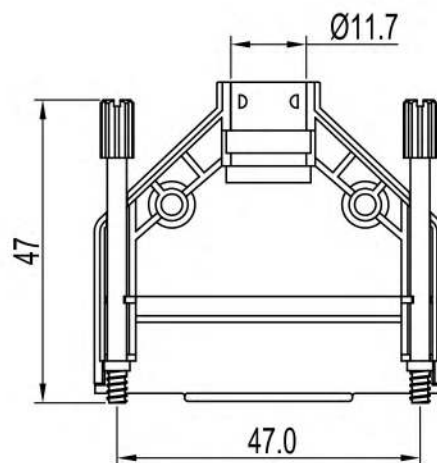
H



TECHNICAL SPECIFICATIONS

Material: ABS Plastic, UL94-HB
 Plating: Nickel over copper
 Operating Temperature: -55°C to +110°C
 Thumbscrews: UNC 4-40

No. of contacts: 09-15-25-37



Grommet Set

Item	QTY	Part description
1	1	Upper Cover
2	1	Lower Cover
3	2	M3x11 Screw
4	1	Grommet Set
5	2	Thumbscrews UNC4-40 x 47mm
6	2	M3 Nut

RoHS compliant
 Unit: mm

Scale	Free				Date	Name	Customer-No.	
TOLERANCE					Drawn	17.08.2017	S.Bölling	
0~6	±0.10				Approved	17.08.2017	S.Bölling	
6~30	±0.20							
30~120	±0.30							
120~400	±0.50							
DIM	Tol							
Angle	±1°	Ⓢ	Drawn	17.08.2017				S.Bölling
Angle	Tol	Id.	Modification	Date				Name

Customer-No.

ASSMANN WSW-No.
ACOV-SUB-25MB28

Drawing-No.

ASS_5269_CO

rev00

Replace

Sheet 3/4

1

2

3

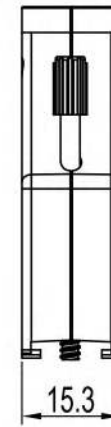
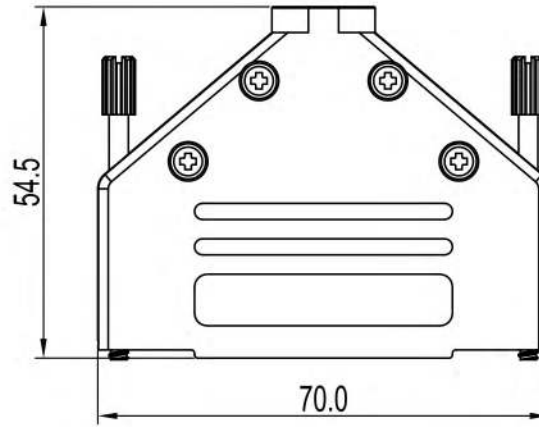
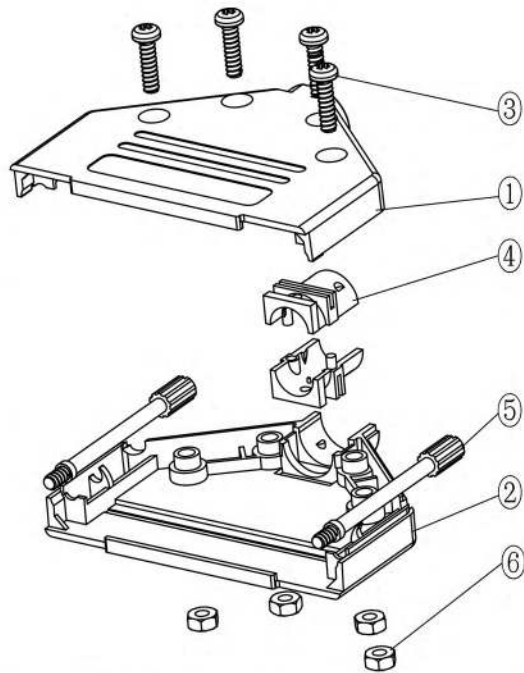
4

5

6

7

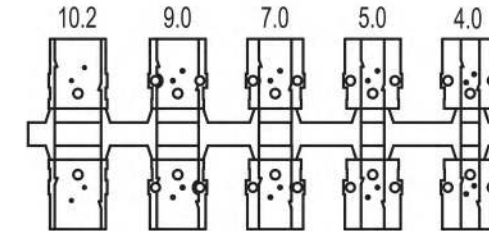
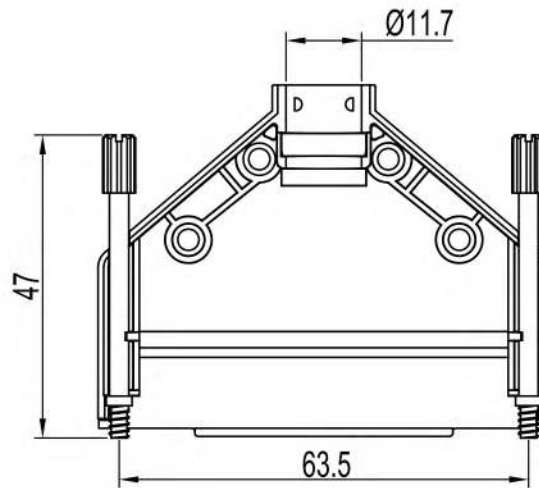
SV4382



TECHNICAL SPECIFICATIONS

Material: ABS Plastic, UL94-HB
 Plating: Nickel over copper
 Operating Temperature: -55°C to +110°C
 Thumbscrews: UNC 4-40

No. of contacts: 09-15-25-37



Grommet Set

Item	QTY	Part description
1	1	Upper Cover
2	1	Lower Cover
3	4	M3x11 Screw
4	1	Grommet Set
5	2	Thumbscrews UNC4-40 x 47mm
6	4	M3 Nut

RoHS compliant
 Unit: mm

Scale	Free					Date	Name	Customer-No.
TOLERANCE						Drawn	17.08.2017	S.Bölling
0~6	±0.10					Approved	17.08.2017	S.Bölling
6~30	±0.20							
30~120	±0.30							
120~400	±0.50							
DIM	Tol							
Angle	±1°	Ⓞ	Drawn	17.08.2017	S.Bölling			
Angle	Tol	Id.	Modification	Date	Name			



Customer-No.
 ASSMANN WSW-No.
ACOV-SUB-37MB28

Drawing-No.
ASS_5269_CO rev00
 Replace Sheet 4/4