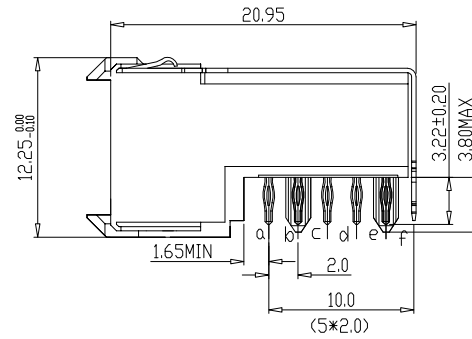
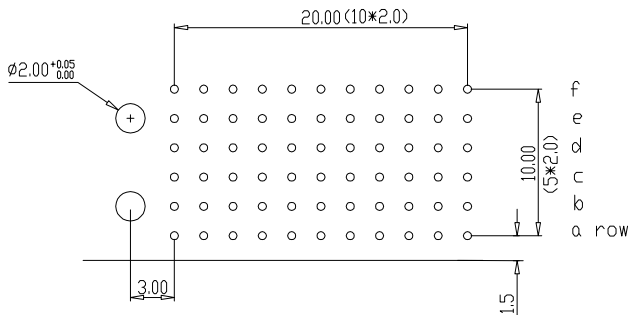
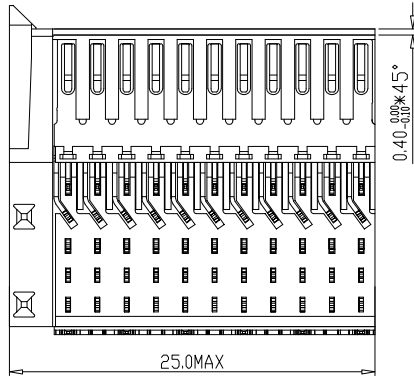
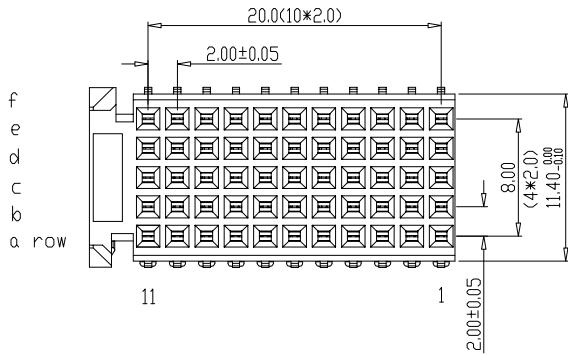




Tous droits strictement réservés. Reproduction ou communication à des tiers interdite sous quelque forme que ce soit sans autorisation écrite du propriétaire. Propriété de c FCI. Droits de reproduction FCI.

All rights strictly reserved. Reproduction or issue to third parties in any form whatever is not permitted without written authority from the proprietor. Property of FCI. Copyright FCI.



PERFORMANCE CHARACTERISTICS

- CURRENT RATING 1.5A AT 20°C (FULLY LOADED)
- 1 A AT 70°C (FULLY LOADED)
- RATED VOLTAGE : 500 V AC (CONT /CONT)
- OPERATING TEMPERATURE : -55°C TO 125°C
- CONTACT RESISTANCE 20 MΩ MAX
- INSERTION FORCE : 0.75N MAX/CONT
- EXTRACTION FORCE : 0.15N MIN/CONT
- INSULATION RESISTANCE : 10⁴ MΩ MIN

- NOTES 1: LEAD FREE INDICATOR (LF=LEAD FREE)
- PERFORMANCE LEVEL INDICATOR (REF DWG NO.BSC 201844.003)
- THIS PRODUCT IS CSA APPROVED. THIS PRODUCT IS UL RECOGNIZED.
 - FOR RECOMMENDED PTH DIMENSIONS REFER DRAWING : BS.A.201572.001
 - THIS PRODUCT (LF) MEETS EUROPEAN UNION DIRECTIVES AND OTHER COUNTRY REGULATIONS AS DESCRIBED IN GS-22-008

rev	ecn no	dr	date
A	CONVERSION REVISION 05	KN	14-09-01
B	105-0081	ALEX	30-05-05
C	DG05-0278	Kason	02-08-05
D	DG07-0362	Kason	05-09-07
E	DG10-0110	NZ	05-30-10
-	-	-	-

Material		Spec ref		
Mat code		 tolerance 1DEC ± 0.2 1DEC 2DEC ± 0.1 2DEC ANGLES ± 1° HOEKEN	 projection size A4	
Heattreat				MM
Plating/Finish				Scale 2.000
Dr	W.Panis	07-04-92		
Eng			Product family MILLIPACS	
Chr			Model Name	
Appr			Model Revision	
			REL Level	
	title	MPACS 5+2R RA RCP CONN TYPE C	dwg no BSC201444048	
Pro/E file	catalog no	HM2R03PA5108----	Rev. E	
		CUSTOMER DRAWING	sheet 1 of 1	