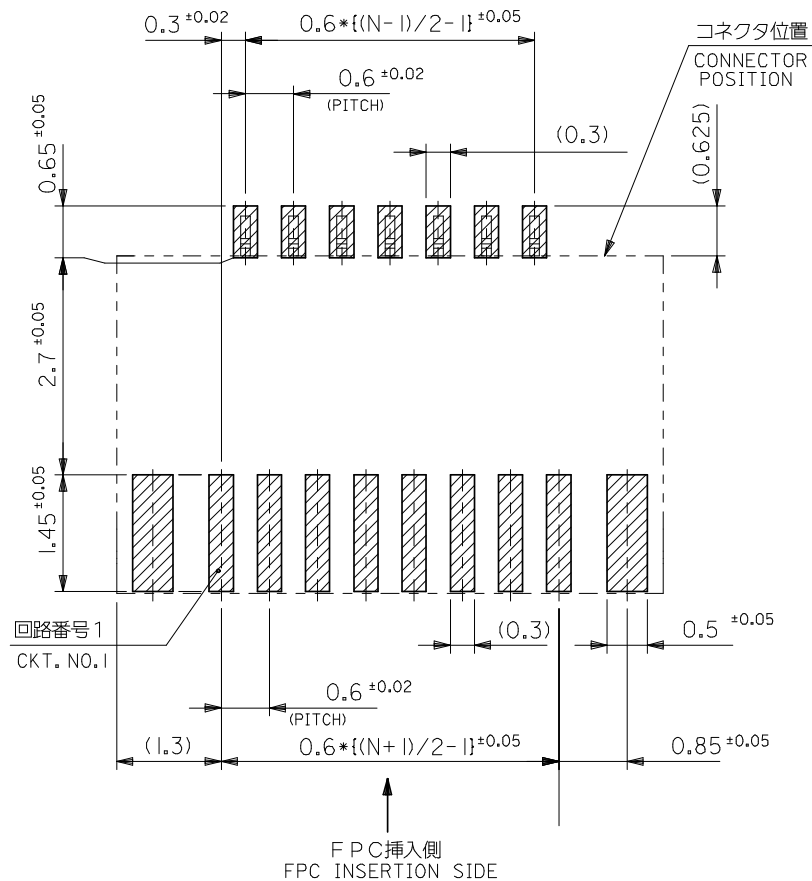


注記 NOTES

- 使用材料 MATERIAL
 ハウジング HOUSING : LCP , UL94V-0
 アクチュエータ ACTUATOR : PA46 , UL94V-0
 ターミナル : リン青銅 (t=0.12)、ニッケル下地 金メッキ
 TERMINAL PHOSPHOR BRONZE, GOLD OVER NICKEL PLATING.
 金具 : リン青銅 (t=0.2)、ニッケル下地 錫メッキ
 STOPPER PHOSPHOR BRONZE, TIN OVER NICKEL PLATING.
- △ ソルダーテール半田付け面のズレ量は、基準面 **R** に対し、
 上方向0MAX.、下方向0.1MAXIMUMとする。
 又、相互のバツキ量は0.1MAXIMUMとする。
 MISALIGNMENT OF SOLDER TAILS AND FITTING NAILS FROM **R**
 UPPER DIRECTION : 0 MAX., LOWER DIRECTION : 0.1 MAXIMUM
 OFFSET BETWEEN SOLDER TAILS AND FITTING NAILS : 0.1 MAXIMUM
- 一般公差 : ±0.3
 GENERAL TOLERANCES : ±0.3
- 本製品は 54809-**67 の鉛フリー品である。
 THIS PRODUCT IS LEAD FREE OF 54809-**67.

18.6	18.0	17.4	20.6	54809-6175	54809-6169	61
15.6	15.0	14.4	17.6	54809-5175	54809-5169	51
13.8	13.2	12.6	15.8	54809-4575	54809-4569	45
12.0	11.4	10.8	14.0	54809-3975	54809-3969	39
11.4	10.8	10.2	13.4	54809-3775	54809-3769	37
10.8	10.2	9.6	12.8	54809-3575	54809-3569	35
10.2	9.6	9.0	12.2	54809-3375	54809-3369	33
9.6	9.0	8.4	11.6	54809-3175	54809-3169	31
8.4	7.8	7.2	10.4	54809-2775	54809-2769	27
7.8	7.2	6.6	9.8	54809-2575	54809-2569	25
6.6	6.0	5.4	8.6	54809-2175	54809-2169	21
6.0	5.4	4.8	8.0	54809-1975	54809-1969	19
4.8	4.2	3.6	6.8	54809-1575	54809-1569	15
3.6	3.0	2.4	5.6	54809-1175	54809-1169	11
D	C	B	A	EMBOSSED TAPE		
				ORDER No. オーダー番号		
				54809-**69	MODEL NO.	
				SCALE ---	DESIGN UNITS METRIC	THIRD ANGLE PROJECTION

REVISED EC NO: J2008-4034 DRW: MNABEI 2008/05/28 CHK: THARUYAMA 2008/05/28 APPR: NUKITA 2008/05/28	GENERAL TOLERANCES (UNLESS SPECIFIED)		DIMENSION STYLE MM ONLY		SCALE ---	DESIGN UNITS METRIC	THIRD ANGLE PROJECTION
	10 UNDER	±0.2	DRAWN BY	DATE	TITLE		
	10 OVER 30 UNDER	±0.25	TUENO	'04/02/10	0.3 FPC CONN E/O HSG ASSY GOLD PLT H=1.3 -LEAD FREE-		
	30 OVER	±0.3	CHECKED BY	DATE	MOLEX INCORPORATED		
	ANGULAR	±3 °	MSASAO	'04/02/10	MATERIAL NO.	DOCUMENT NO.	SHEET NO.
DRAFT WHERE APPLICABLE MUST REMAIN WITHIN DIMENSIONS			SEE TABLE		SD-54809-038	1 OF 3	
THIS DRAWING CONTAINS INFORMATION THAT IS PROPRIETARY TO MOLEX INCORPORATED AND SHOULD NOT BE USED WITHOUT WRITTEN PERMISSION							

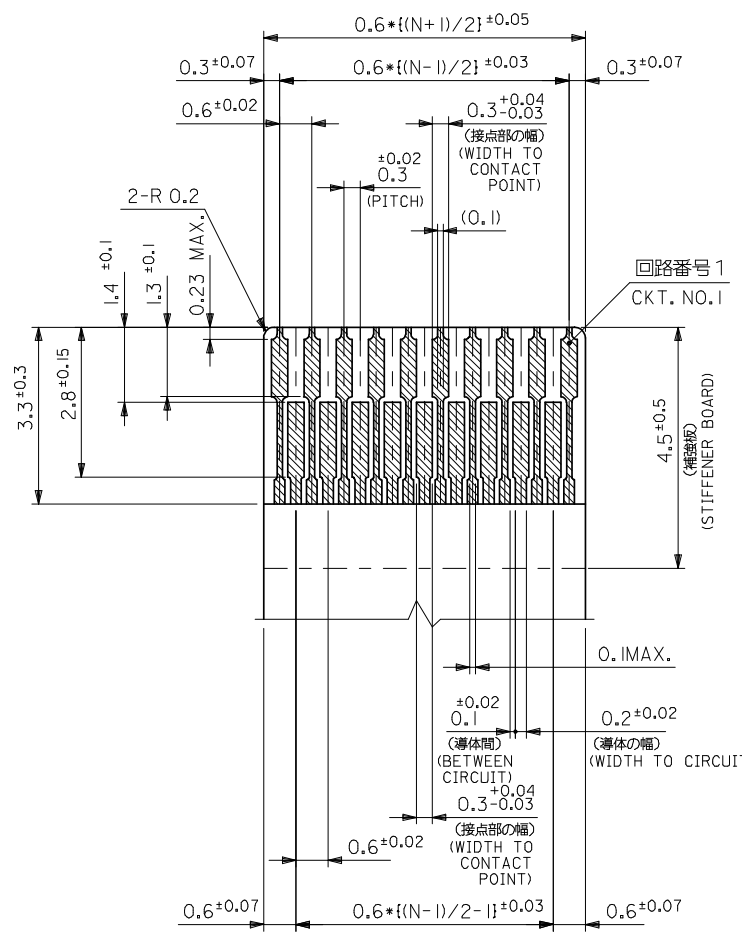


FPC挿入側
FPC INSERTION SIDE

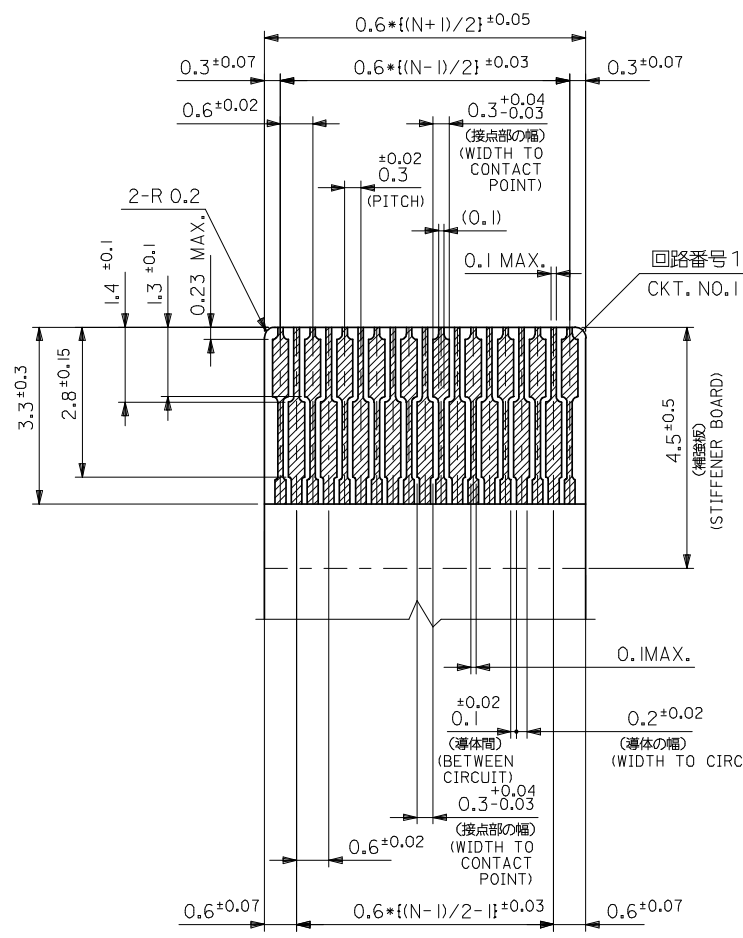
参考基板レイアウト
RECOMMENDED P.C.BOARD
PATTERN DIM. (REF.)

(マウント面)
(MOUNTING SIDE)

REVISED EC NO: J2008-4034 DRWN: NABEI CHKD: THARUYAMA APPR: NUKITA 2008/05/28 2008/05/28 2008/05/28	GENERAL TOLERANCES (UNLESS SPECIFIED)		DIMENSION STYLE MM ONLY		54809-***69		MODEL NO.	
	10 UNDER ±0.2		DRAWN BY DATE TUENO '04/02/10		SCALE ---	DESIGN UNITS METRIC	THIRD ANGLE PROJECTION	
	10 OVER 30 UNDER ±0.25		CHECKED BY DATE MSASAO '04/02/10		TITLE 0.3 FPC CONN E/O HSG ASSY GOLD PLT H=1.3 -LEAD FREE-			
	30 OVER ±0.3		APPROVED BY DATE MSASAO '04/02/10		MOLEX INCORPORATED			
	ANGULAR ±--- °		MATERIAL NO.		DOCUMENT NO.		SHEET NO.	
	DRAFT WHERE APPLICABLE MUST REMAIN WITHIN DIMENSIONS		SEE SHEET 1		SD-54809-038		2 OF 3	
THIS DRAWING CONTAINS INFORMATION THAT IS PROPRIETARY TO MOLEX INCORPORATED AND SHOULD NOT BE USED WITHOUT WRITTEN PERMISSION								



適合FPC推奨寸法 1
 APPLICABLE FPC
 RECOMMENDED DIM. NO.1
 (仕上がり厚さ: 0.2 ± 0.03)
 (THICKNESS : 0.2 ± 0.03)



適合FPC推奨寸法 2
 APPLICABLE FPC
 RECOMMENDED DIM. NO.2
 (仕上がり厚さ: 0.2 ± 0.03)
 (THICKNESS : 0.2 ± 0.03)

FPCについて:
 打抜き方向は導体側から補強板側を推奨致します。
 補強フィルム材質はポリイミドを推奨致します。
 接着剤は熱硬化接着剤を推奨致します。

ABOUT FPC :
 RECOMMENDED PUNCHER DIRECTION :
 FROM CONDUCTOR SIDE TO STIFFENER BOARD SIDE.
 RECOMMENDED MATERIAL :
 STIFFENER FILM : POLYIMIDE
 BONDING AGENT : THERMOSETTING BONDING AGENT

REVISED
 EC NO: J2008-4034
 DRWN: MWABEI
 CHKD: THARUYAMA
 APPR: NUKITA

DESCRIPTION
 GENERAL TOLERANCES (UNLESS SPECIFIED)
 10 UNDER ±0.2
 10 OVER 30 UNDER ±0.25
 30 OVER ±0.3
 ANGULAR ±3 °
 DRAFT WHERE APPLICABLE MUST REMAIN WITHIN DIMENSIONS

DIMENSION STYLE
 MM ONLY
 DRAWN BY DATE
 YSAKIYAM '04/06/15
 CHECKED BY DATE
 MHAYASHI '04/06/15
 APPROVED BY DATE
 MSASAO '04/06/15
 MATERIAL NO.
 SEE SHEET 1
 SIZE
 A3

54809-***69		MODEL NO.	
SCALE ---	DESIGN UNITS METRIC	THIRD ANGLE PROJECTION	
TITLE 0.3 FPC CONN E/O HSG ASSY GOLD PLT H=1.3 -LEAD FREE-			
DOCUMENT NO. SD-54809-038			SHEET NO. 3 OF 3
MATERIAL NO. SEE SHEET 1			
MOLEX INCORPORATED			
THIS DRAWING CONTAINS INFORMATION THAT IS PROPRIETARY TO MOLEX INCORPORATED AND SHOULD NOT BE USED WITHOUT WRITTEN PERMISSION			

F

E

D

C

B

A

F

E

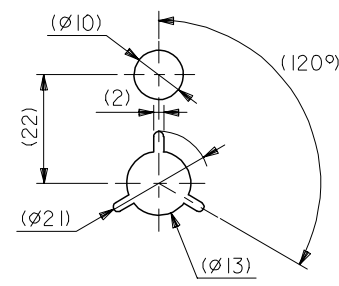
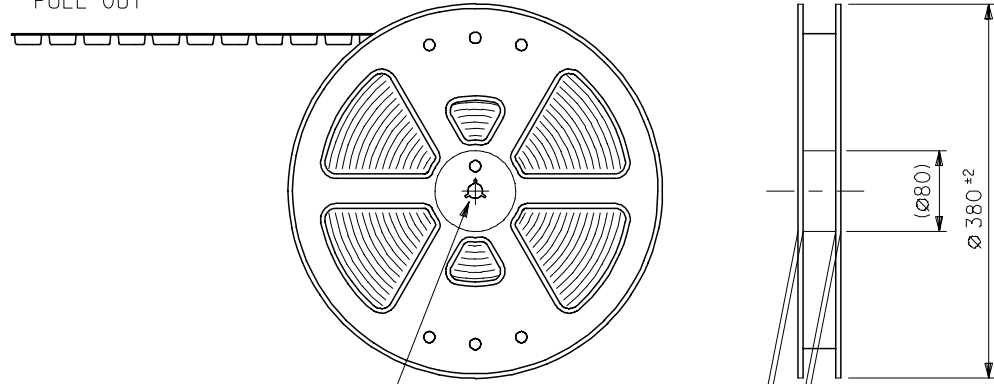
D

C

B

A

引き出し方向
PULL OUT

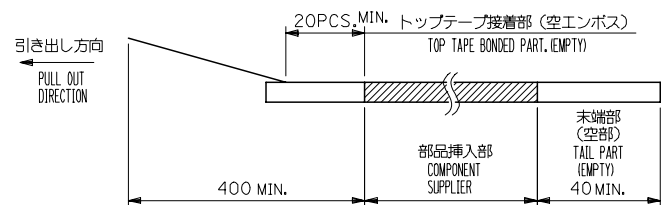


DETAIL "F"

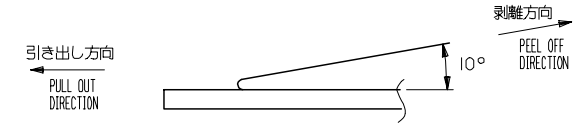
D ± 1
E ± 1

注記 NOTES

- 製品詳細寸法については、図面SD-54809-038を参照下さい。
RE DETAILED DIMENSION, SEE SD-54809-038.
- 梱包数量：2500個/リール
NUMBER OF CONNECTORS : 2500PCS/REEL
- リードテープ長さ LEAD TAPE LENGTH



- トップテープの剥離強度：0.1N~1.3N (10gf~130gf)
(剥離方向は下図参照)
尚、本規格値は出荷時に適用。(但し、輸送時に剥離が発生しないこと。)
PEELING OFF FORCE OF TOP TAPE : 0.1N ~ 1.3N (10gf ~ 130gf)
(PEELING DIRECTION AS SHOWN IN FOLLOWING FIG.)
THIS REQUIREMENT SHOULD BE APPLIED AT SHIPMENT.
PEEL OFF SHOULD NOT BE ALLOWED, DURING TRANSPORTATION.



- 材料 (MATERIAL)
キャリアテープ (CARRIER TAPE) : ポリプロピレン (POLYPROPYLENE)
トップテープ (TOP TAPE) : PET, PE, PEF
リール (REEL) : ポリスチレン (PS) <リサイクル材を含む>
POLYSTYRENE (PS) <RECYCLE MATERIAL CONTAINED>
- 本製品は 54809-**95 の鉛フリー品である。
THIS PRODUCT IS LEAD FREE OF 54809-**95.

REVISED EC NO: J2006-0662 DRWN: NABEI 2005/08/31 CHKDK: TOYODA 2005/09/01 APPR: NUKITA 2005/09/06 B REV	GENERAL TOLERANCES (UNLESS SPECIFIED)		DIMENSION STYLE MM ONLY		54809-**75 MODEL NO.	
	10 UNDER ± 0.2		DRAWN BY DATE TUENO '04/02/10		SCALE ---	DESIGN UNITS METRIC
	10 OVER 30 UNDER ± 0.25		CHECKED BY DATE MSASAO '04/02/10		THIRD ANGLE PROJECTION	
	30 OVER ± 0.3		APPROVED BY DATE MSASAO '04/02/10		TITLE EMBSTP PKG FOR 0.3 FPC CONN E/O GOLD PLT H=1.3 -LEAD FREE-	
	ANGULAR ± 3 °		MATERIAL NO. SEE CHART		DOCUMENT NO. SD-54809-039	
DRAFT WHERE APPLICABLE MUST REMAIN WITHIN DIMENSIONS		SIZE A3		SHEET NO. 1 OF 4		
THIS DRAWING CONTAINS INFORMATION THAT IS PROPRIETARY TO MOLEX INCORPORATED AND SHOULD NOT BE USED WITHOUT WRITTEN PERMISSION						

10 9 8 7 6 5 4 3 2 1

F

E

D

C

B

A

F

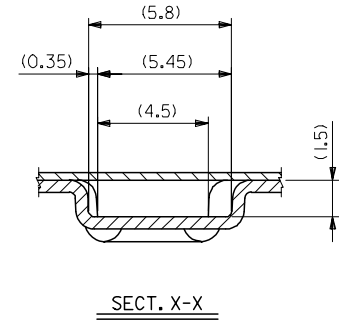
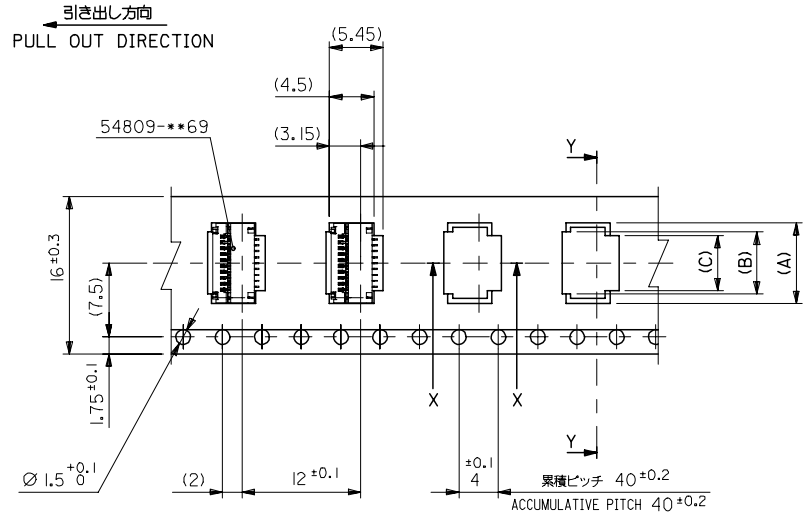
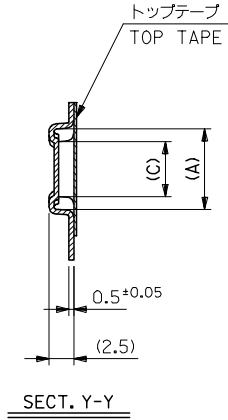
E

D

C

B

A



1.6mm幅キャリアテープ
16mm WIDTH CARRIER TAPE

16	21.4	17.4	6.2	6.9	8.8	54809-2175	21
			5.6	6.3	8.2	54809-1975	19
			4.4	5.1	7.0	54809-1575	15
			3.2	3.9	5.8	54809-1175	11
キャリアテープ幅 CARRIER TAPE WIDTH	E	D	C	B	A	MATERIAL NO.	部品 CKT.

REVISED EC NO: J2006-0662 DRWN: NABE 2005/08/31 CHKDK: TOYODA 2005/09/01 APPR: NUKITA 2005/09/06	GENERAL TOLERANCES (UNLESS SPECIFIED)		DIMENSION STYLE MM ONLY		SCALE ---	DESIGN UNITS METRIC	THIRD ANGLE PROJECTION
	10 UNDER	± 0.2	DRAWN BY TUENO	DATE '04/02/10	TITLE EMBSTP PKG FOR 0.3 FPC CONN E/O GOLD PLT H=1.3 -LEAD FREE-		
	10 OVER 30 UNDER	± 0.25	CHECKED BY MSASAO	DATE '04/02/10	MOLEX INCORPORATED		
	30 OVER	± 0.3	APPROVED BY MSASAO	DATE '04/02/10	MATERIAL NO. SEE CHRAT	DOCUMENT NO. SD-54809-039	SHEET NO. 2 OF 4
	ANGULAR	± 3 °	DRAFT WHERE APPLICABLE MUST REMAIN WITHIN DIMENSIONS		THIS DRAWING CONTAINS INFORMATION THAT IS PROPRIETARY TO MOLEX INCORPORATED AND SHOULD NOT BE USED WITHOUT WRITTEN PERMISSION		

9

8

7

6

5

4

3

2

10 9 8 7 6 5 4 3 2 1

F

E

D

C

B

A

F

E

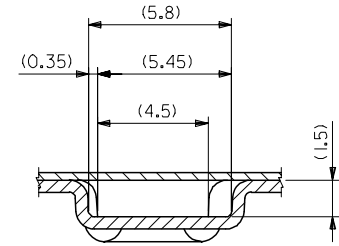
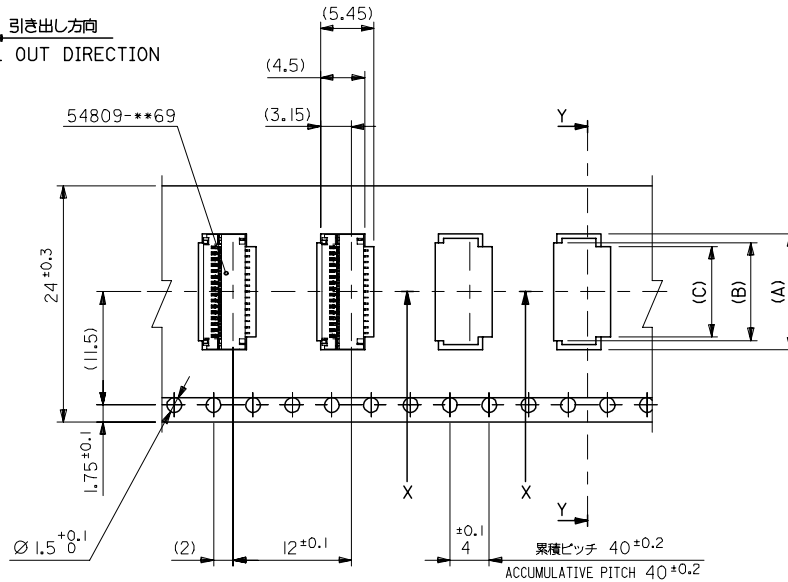
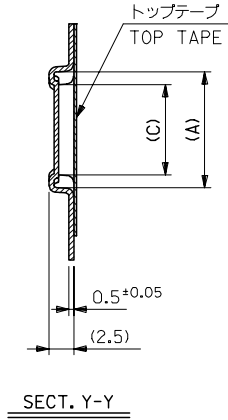
D

C

B

A

引き出し方向
PULL OUT DIRECTION



SECT. X-X

24mm幅キャリアテープ
24mm WIDTH CARRIER TAPE

24	29.4	25.4	13.4	14.1	16.0	54809-4575	45
			11.6	12.3	14.2	54809-3975	39
			11.0	11.7	13.6	54809-3775	37
			10.4	11.1	13.0	54809-3575	35
			9.8	10.5	12.4	54809-3375	33
			9.2	9.9	11.8	54809-3175	31
			8.0	8.7	10.6	54809-2775	27
7.4	8.1	10.0	54809-2575	25			
キャリアテープ幅 CARRIER TAPE WIDTH	E	D	C	B	A	MATERIAL NO.	機種 CKT.

REVISED EC NO: J2006-0662 DRWN: NABEI 2005/08/31 CHKDK: TOYODA 2005/09/01 APPR: NUKITA 2005/09/06	GENERAL TOLERANCES (UNLESS SPECIFIED)		DIMENSION STYLE MM ONLY		SCALE ---	DESIGN UNITS METRIC	MODEL NO. 54809-***75	
	10 UNDER	± 0.2	DRAWN BY TUENO	DATE '04/02/10	TITLE EMBSTP PKG FOR 0.3 FPC CONN E/O GOLD PLT H=1.3 -LEAD FREE-			
	10 OVER 30 UNDER	± 0.25	CHECKED BY MSASAO	DATE '04/02/10	THIRD ANGLE PROJECTION			
	30 OVER	± 0.3	APPROVED BY MSASAO	DATE '04/02/10	MOLEX INCORPORATED			
	ANGULAR	± 3 °	MATERIAL NO. SEE CAHRT	DOCUMENT NO. SD-54809-039	SHEET NO. 3 OF 4			
DRAFT WHERE APPLICABLE MUST REMAIN WITHIN DIMENSIONS		THIS DRAWING CONTAINS INFORMATION THAT IS PROPRIETARY TO MOLEX INCORPORATED AND SHOULD NOT BE USED WITHOUT WRITTEN PERMISSION						

9

8

7

6

5

4

3

2

10 9 8 7 6 5 4 3 2 1

F

F

E

E

D

D

C

C

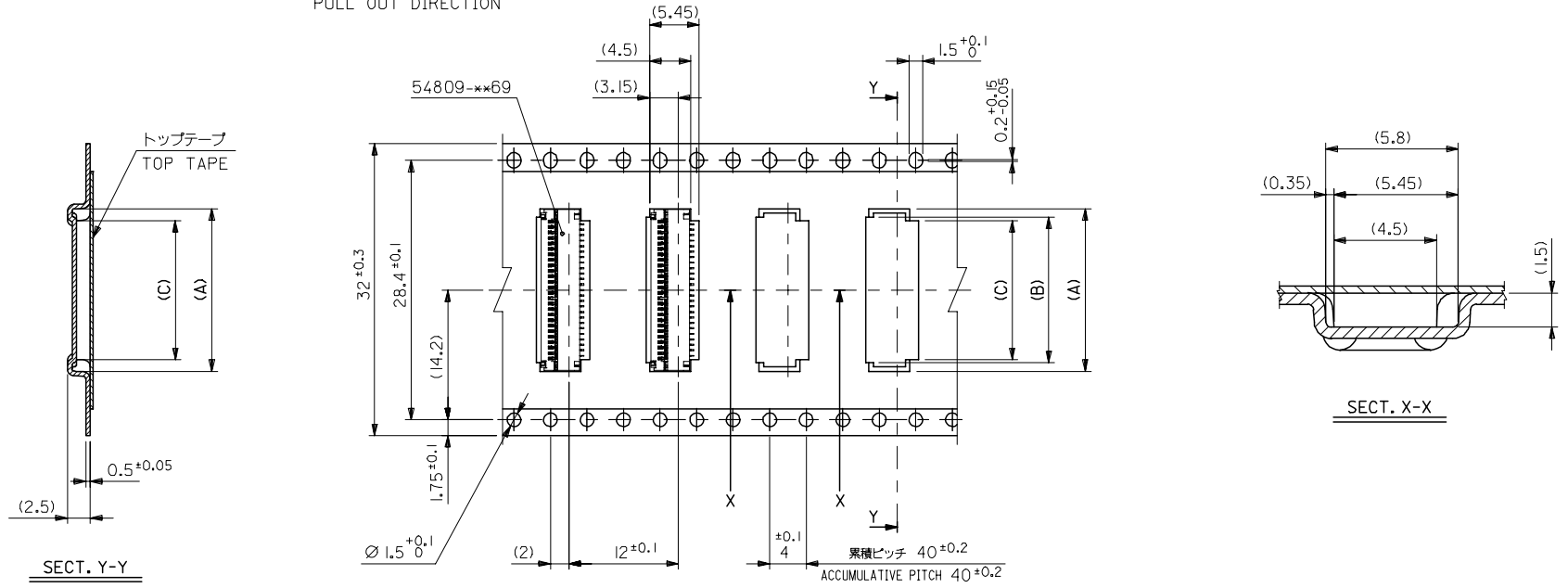
B

B

A

A

引き出し方向
PULL OUT DIRECTION



32mm幅キャリアテープ
32mm WIDTH CARRIER TAPE

32	37.4	33.4	18.2	18.9	20.8	54809-6175	61
キャリアテープ幅 CARRIER TAPE WIDTH	E	D	C	B	A	MATERIAL NO.	極数 CIRCUITS
						54809-***75	MODEL NO.

REVISED EC NO: J2006-0662 DRWN: NABEI CHKDK: TOYODA APPR: NUKITA	DESCRIPTION 2005/08/31 2005/09/01 2005/09/06	GENERAL TOLERANCES (UNLESS SPECIFIED)		DIMENSION STYLE MM ONLY		SCALE ---	DESIGN UNITS METRIC	THIRD ANGLE PROJECTION		
		10 UNDER	±0.2	DRAWN BY TUENO	DATE '04/02/10	TITLE EMBSTP PKG FOR 0.3 FPC CONN E/O GOLD PLT H=1.3 -LEAD FREE-				
		10 OVER 30 UNDER	±0.25	CHECKED BY MSASAO	DATE '04/02/10	MOLEX INCORPORATED				
		30 OVER	±0.3	APPROVED BY MSASAO	DATE '04/02/10	DOCUMENT NO. SD-54809-039				
ANGULAR ±3 °		DRAFT WHERE APPLICABLE MUST REMAIN WITHIN DIMENSIONS		MATERIAL NO. SEE CHART		SHEET NO. 4 OF 4				
SIZE A3		THIS DRAWING CONTAINS INFORMATION THAT IS PROPRIETARY TO MOLEX INCORPORATED AND SHOULD NOT BE USED WITHOUT WRITTEN PERMISSION								