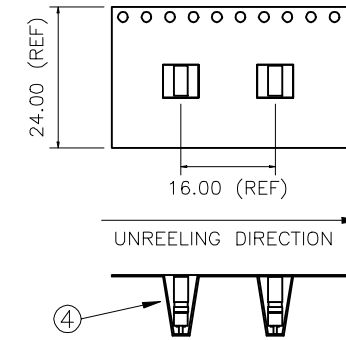
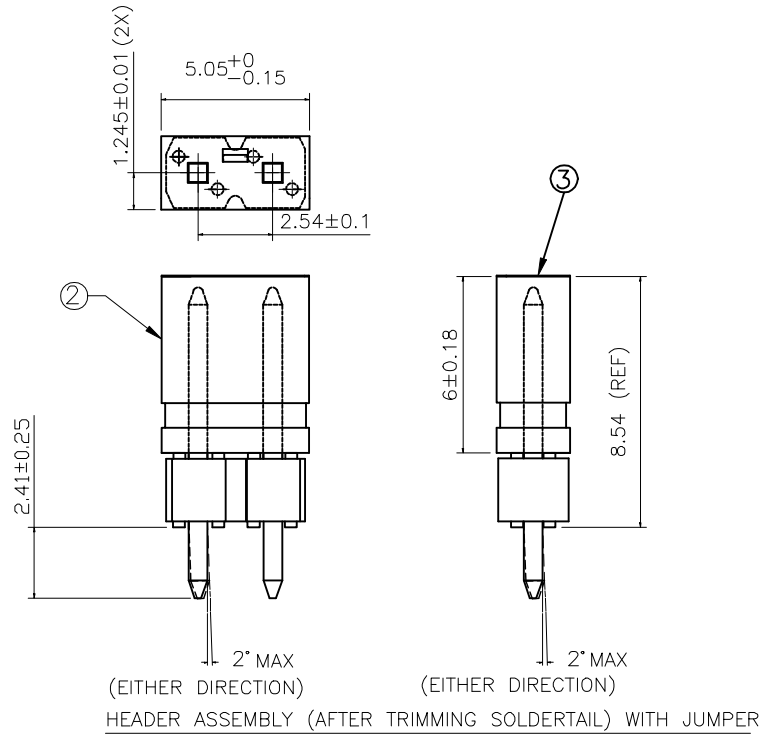
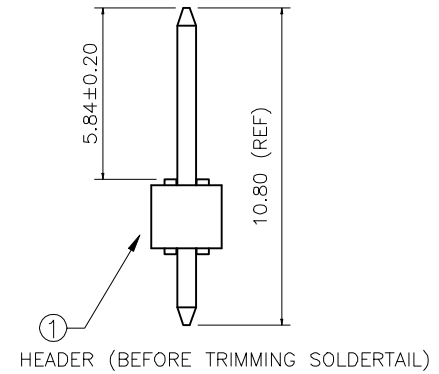


PART NO.  
10103269-001LF



\* RANDOM ORIENTATION OF CONNECTORS ALLOWED IN EMBOSSED TAPE.

TAPE AND REEL PACKAGING DETAILS



HEADER (BEFORE TRIMMING SOLDER TAIL)

NOTES:

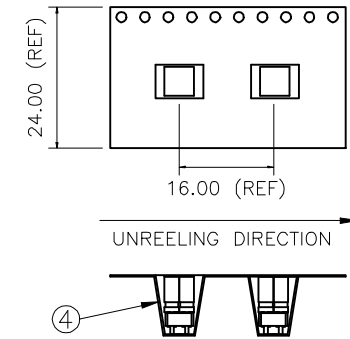
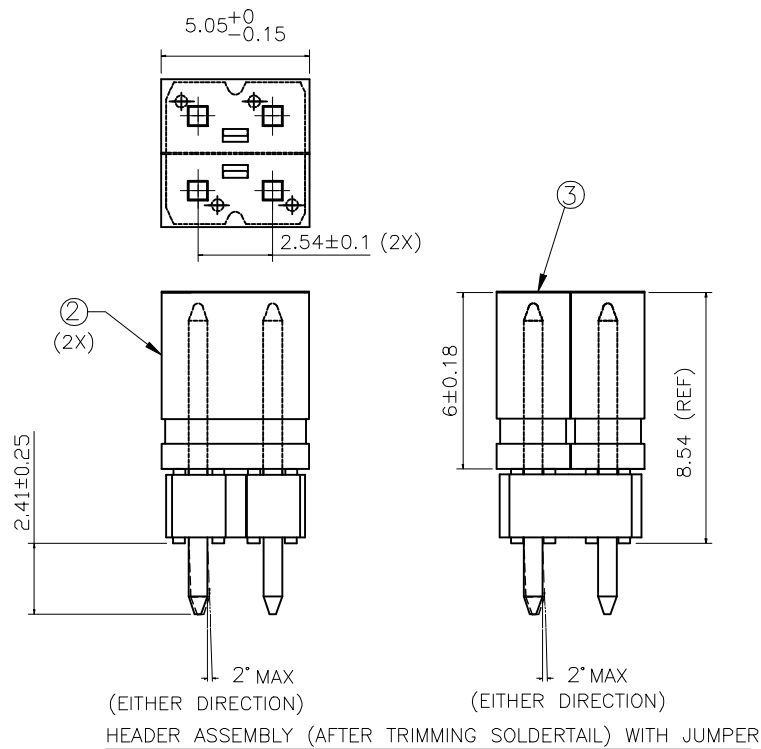
- 1) INSERTION FORCE - 12N MAX
- 2) WITHDRAWAL FORCE - 2N MIN
- 3) THIS PRODUCT MEETS THE EUROPEAN UNION DIRECTIVES AND OTHER COUNTRY REGULATIONS AS DESCRIBED IN GS-22-008.
- 4). MAY BE EITHER GOLD OR GXT PLATED AT MANUFACTURER'S OPTION

LIST OF MATERIAL

NO.	ITEM	PART NUMBER	MATERIAL
1	HEADER	77311-101-02LF	HOUSING: HIGH TEMPERATURE THERMOPLASTIC (BLACK)
			TERMINAL: PHOSPHOR BRONZE
			PLATING: 0.76 $\mu$ m GOLD/GXT ON CONTACT AND 2 $\mu$ m TIN MIN ON SOLDER TAILS.
2	JUMPER	63429-142LF	HOUSING: POLYESTER (BLACK)
			TERMINAL: PHOSPHOR BRONZE
			PLATING: 0.38 $\mu$ m GOLD OR GXT ON CONTACT AREA OVER 1.27 $\mu$ m Ni (note 4)
3	KAPTON TAPE	10103270-001	POLYAMIDE
4	EMBOSS TAPE	10103271-001	CONDUCTIVE POLYMER
-	-	-	-

mat'l. code				surface ISO 1302 <input checked="" type="checkbox"/>		tolerance ISO 406 ISO 1101		projection 		product family BERGSTIK		
ltr	ecn no	dr	date	tolerances unless otherwise specified		.xx±0.01/0.25		INCH/mm		title		
C	ELX-N-14097	GM	2013/02/25	angles	linear	.xxx±0.005/.xx±0.13		scale 1:1		HEADER /JUMPER ASSEMBLY (2.54mm)		
D	ELX-N-14750	ZK	2013/05/14							dwg no sheet 1 of 3 size		
E	ELX-N-36037	MZ	2020/02/14	X*±2°						10103269 A4		
F	ELX-N-42423	MK	2021/09/23	dr	KH LEE	2009/03/25					type Product Customer Drawing	
				enr	ANDREW YONG	2010/07-19						
				chr	ANDREW YONG	2010/07-19						
				appd	JOEY NG	2010/07-19						
sheet index	revision sheet	F	F	F								
		1	2	3								

PART NO.  
10103269-002LF



\* RANDOM ORIENTATION OF CONNECTORS ALLOWED IN EMBOSSED TAPE.

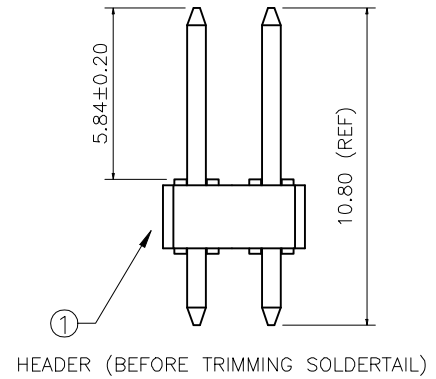
TAPE AND REEL PACKAGING DETAILS

NOTES:

- 1) INSERTION FORCE - 24N MAX PER CONNECTOR PAIR
- 2) WITHDRAWAL FORCE - 4N MIN PER CONNECTOR PAIR
- 3) THIS PRODUCT MEETS THE EUROPEAN UNION DIRECTIVES AND OTHER COUNTRY REGULATIONS AS DESCRIBED IN GS-22-008.
- 4). MAY BE EITHER GOLD OR GXT PLATED AT MANUFACTURER'S OPTION

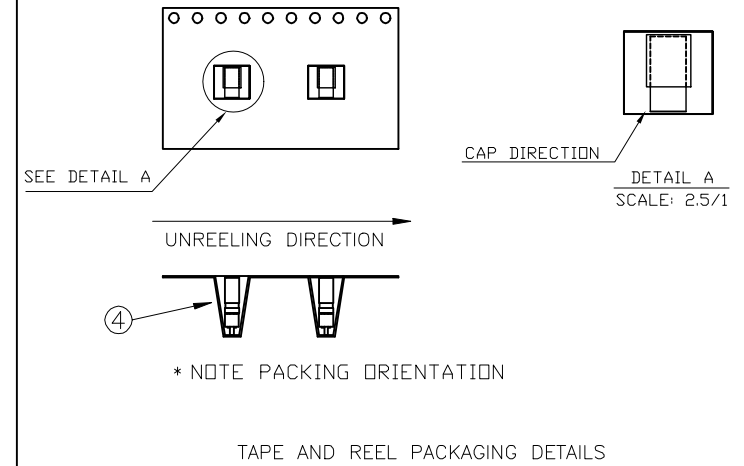
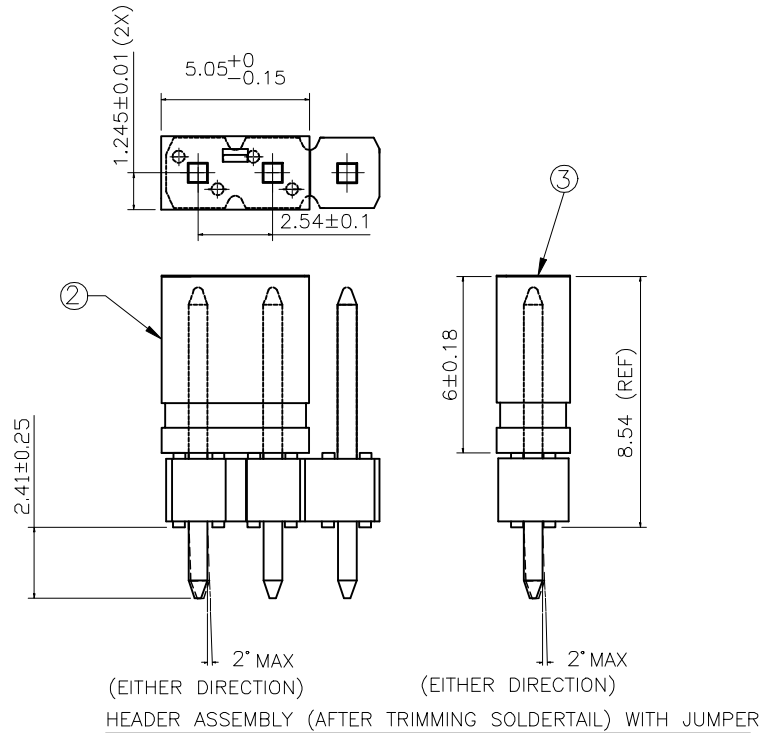
LIST OF MATERIAL

NO.	ITEM	PART NUMBER	MATERIAL
1	HEADER	77313-101-04LF	HOUSING: HIGH TEMPERATURE THERMOPLASTIC (BLACK)
			TERMINAL: PHOSPHOR BRONZE
			PLATING: 0.76 um GOLD/GXT ON CONTACT AND 2 um TIN MIN ON SOLDER TAILS.
2	JUMPER	63429-142LF	HOUSING: POLYESTER (BLACK)
			TERMINAL: PHOSPHOR BRONZE
			PLATING: 0.38 um GOLD OR GXT ON CONTACT AREA OVER 1.27um Ni (note 4)
3	KAPTON TAPE	10103270-002	POLYAMIDE
4	EMBOSS TAPE	10103271-002	CONDUCTIVE POLYMER
-	-	-	-



mat'l. code		surface	tolerance	projection	product family
		ISO 1302 ✓	ISO 406 ISO 1101		BERGSTIK
ltr	ecn no	dr	date	tolerances unless otherwise specified	title
F				linear .xx±0.01/0.25 .xxx±0.005/.xx±0.13	HEADER /JUMPER ASSEMBLY (2.54mm)
				angles X°±2°	scale 1:1
				dr KH LEE 2009/03/25	dwg no sheet 2 of 3 size
				enr ANDREW YONG 2010/07-19	10103269 A4
				chr ANDREW YONG 2010/07-19	type Product Customer Drawing
				appd JOEY NG 2010/07-19	
sheet index	revision sheet				

PART NO.  
10103269-003LF

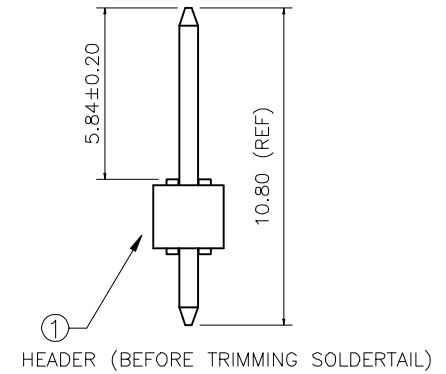


NOTES:

- 1) INSERTION FORCE - 12N MAX
- 2) WITHDRAWAL FORCE - 2N MIN
- 3) THIS PRODUCT MEETS THE EUROPEAN UNION DIRECTIVES AND OTHER COUNTRY REGULATIONS AS DESCRIBED IN GS-22-008.
- 4). MAY BE EITHER GOLD OR GXT PLATED AT MANUFACTURER'S OPTION

LIST OF MATERIAL

NO.	ITEM	PART NUMBER	MATERIAL
1	HEADER	77311-101-03LF	HOUSING: HIGH TEMPERATURE THERMOPLASTIC (BLACK)
			TERMINAL: PHOSPHOR BRONZE
			PLATING: 0.76 $\mu$ m GOLD/GXT ON CONTACT AND 2 $\mu$ m TIN MIN ON SOLDERTAILS.
2	JUMPER	63429-142LF	HOUSING: POLYESTER (BLACK)
			TERMINAL: PHOSPHOR BRONZE
			PLATING: 0.38 $\mu$ m GOLD OR GXT ON CONTACT AREA OVER 1.27 $\mu$ m Ni (note 4)
3	KAPTON TAPE	10103270-001	POLYAMIDE
4	EMBOSS TAPE	TBD	CONDUCTIVE POLYMER
-	-	-	-



mat'l. code		surface ISO 1302 <input checked="" type="checkbox"/>		tolerance ISO 406 ISO 1101		projection 		product family BERGSTIK	
ltr	ecn	no	dr	date	tolerances unless otherwise specified	title			
F					angles linear	title			
					X $\pm$ 2°	title			
					dr	scale			
					engr	scale			
					chr	scale			
					appd	scale			
sheet index		revision sheet				Amphenol FCI		dwg no sheet 3 of 3 size	
								10103269 A4	
								type Product Customer Drawing	