

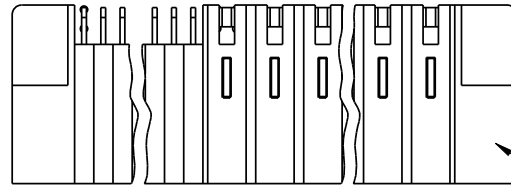
Tous droits strictement réservés. Reproduction ou communication o des liers interdite sous quelque forme que ce soit sans autorisation écrite du propriétaire. Propriété de c FCI. Droits de reproduction FCI.

All rights strictly reserved. Reproduction or issue to third parties in any form whatever is not permitted without written authority from the proprietor. Property of FCI. Copyright FCI.

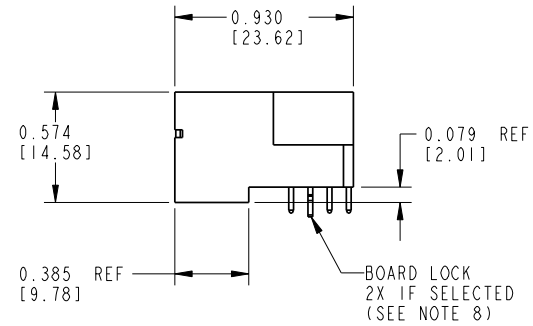
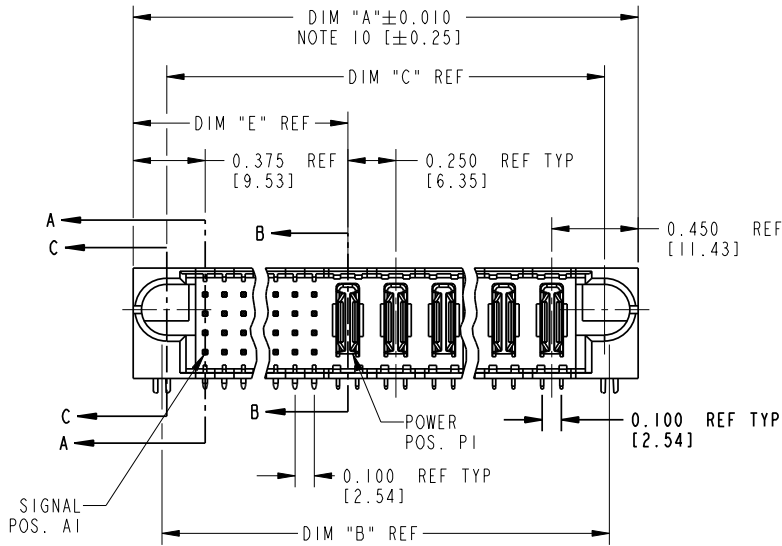
FCI

PRODUCT NUMBER

51731- YYY--
NOTE: 3



SEE NOTE 9



mat'l code				NOTE 2		tolerances unless otherwise specified		CUSTOMER COPY		 www.fciconnect.com	
lir	ecn no.	dr	date	linear	.XX±.01/.X±.3	projection				title	
A	V02387	JRW	10-03-00		.XXX±.005/.XX±.13	INCH / MM		A		RIGHT ANGLE HEADER w/GUIDE PIN SIGNAL / POWER SPECIAL	
B	V02550	JWS	11-1-00	angles	.XXX±.0020/.XXX±.051	scale		1:1		product family	
C	V20495	JWS	03-21-02		0°±2°	A		A		PwrBlade	
D	DG05-0531	GuoJM	12/15/05	dr	C. BAROT 06-12-00	size		A		code	
				enrg	J. BROWN 06-12-00	dwg no		51731		213	
				chr	J. BROWN 06-12-00					SHEET	
				appd	J. BROWN 06-12-00					1 OF 4	
sheet index	revision sheet	D 1	D 2	D 3	D 4						

Tous droits strictement réservés. Reproduction ou communication a des tiers interdite sous quelque forme que ce soit sans autorisation écrite du propriétaire. Propriété de c FCI. Droits de reproduction FCI.

All rights strictly reserved. Reproduction or issue to third parties in any form whatever is not permitted without written authority from the proprietor. Property of FCI. Copyright FCI.



PRODUCT NUMBER	DIM	LENGTH FORMULAS (SEE NOTE 10)
51731-YYY-- NOTE: 3	DIM "A"	.100 [2.54] x (CCC/4) + .250 [6.35] x DD + .650 [16.51](NOTE 10)
	DIM "B"	.100 [2.54] x (CCC/4) + .250 [6.35] x DD + .350 [8.89]
	DIM "C"	.100 [2.54] x (CCC/4) + .250 [6.35] x DD + .300 [7.62]
	DIM "E"	.100 [2.54] x (CCC/4) + .450 [11.43]
	DIM "F"	.100 [2.54] x (CCC/4) + .250 [6.35] x DD + .680 [17.27]
	DIM "H"	.100 [2.54] x (CCC/4) + .250 [6.35]

CODE	DIM "M"	DIM "T"	TAIL TYPE	CONTACT TYPE
E	0.220 [5.59]	0.135 [3.43]	SOLDER	SIGNAL
F	0.220 [5.59]	0.135 [3.43]	SOLDER	SIGNAL
G	0.220 [5.59]	0.135 [3.43]	SOLDER	SIGNAL
H	0.220 [5.59]	0.135 [3.43]	SOLDER	SIGNAL
R	0.270 [6.86]	0.135 [3.43]	SOLDER	SIGNAL
S	0.270 [6.86]	0.135 [3.43]	SOLDER	SIGNAL
T	0.270 [6.86]	0.135 [3.43]	SOLDER	SIGNAL
U	0.270 [6.86]	0.135 [3.43]	SOLDER	SIGNAL
PA	N/A	0.135 [3.43]	SOLDER	POWER
HA	N/A	N/A	N/A	HOLD-DOWN
X	OMITTED	OMITTED	OMITTED	OMITTED

mat'l code		NOTE 2		tolerances unless otherwise specified		CUSTOMER COPY		 www.fciconnect.com	
lir	ecn no.	dr	date	linear	.XX±.01/.X±.3		projection	title	
D					.XXX±.005/.XX±.13			RIGHT ANGLE HEADER w/GUIDE PIN	
				angles	.XXX±.0020/.XXX±.051		 INCH / MM	SIGNAL / POWER SPECIAL	
					0°±2°			product family	
				dr	C. BAROT	06-12-00	scale	PwrBlade	
				enrg	J. BROWN	06-12-00		1:1	code
				chr	J. BROWN	06-12-00	A		213
				appd	J. BROWN	06-12-00		size	
sheet index		revision sheet						51731	
								2	

Tous droits strictement réservés. Reproduction ou communication o des liers interdite sous quelque forme que ce soit sans autorisation écrite du propriétaire. Propriété de c FCI. Droits de reproduction FCI.

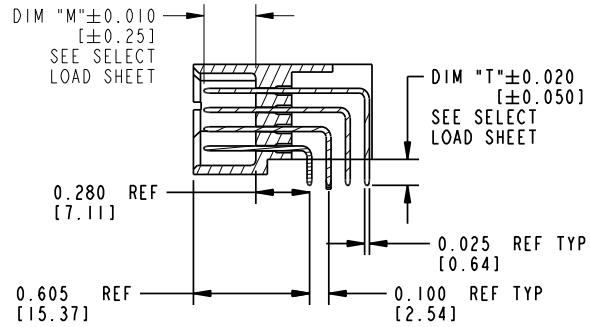
All rights strictly reserved. Reproduction or issue to third parties in any form whatever is not permitted without written authority from the proprietor. Property of FCI. Copyright FCI.

FCI

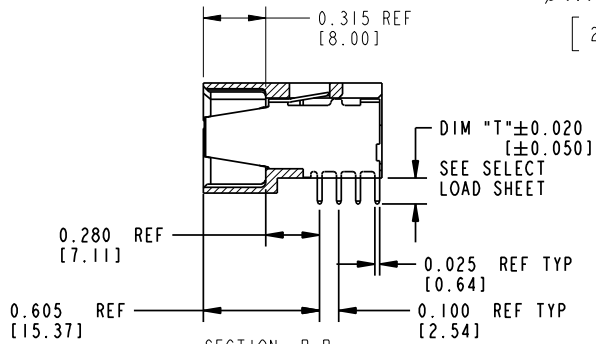
PRODUCT NUMBER

51731-YYY__

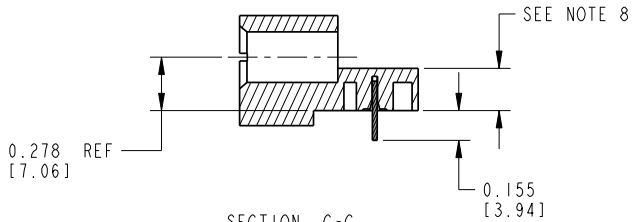
NOTE: 3



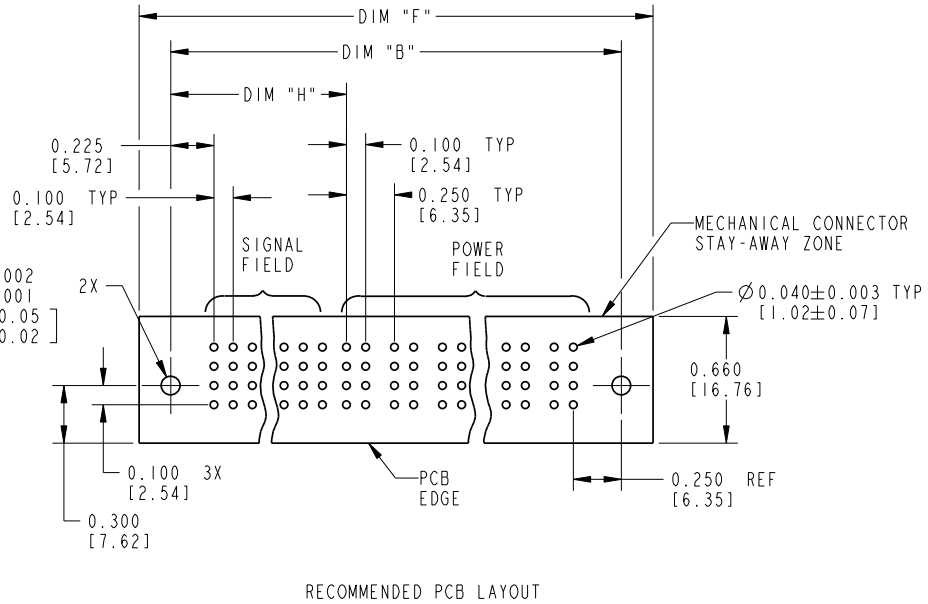
SECTION A-A



SECTION B-B



SECTION C-C



RECOMMENDED PCB LAYOUT

mat'l code		NOTE 2		tolerances unless otherwise specified		CUSTOMER COPY		 www.fciconnect.com	
lfr	ecn no.	dr	date	linear	.XX±.01/.X±.3	projection	title		
D				angles	.XXX±.005/.XX±.13		RIGHT ANGLE HEADER w/GUIDE PIN		
				dr	.XXX±.0020/.XXX±.051	INCH / MM	SIGNAL / POWER SPECIAL		
				enrg	0°±2°	scale	product family	PwrBlade	code
				chr	C. BAROT 06-12-00	1:1	size	dwg no	213
				appd	J. BROWN 06-12-00		A	51731	SHEET 3
sheet index	revision sheet								

Tous droits strictement réservés. Reproduction ou communication à des tiers interdite sous quelque forme que ce soit sans autorisation écrite du propriétaire. Propriété de c FCI. Droits de reproduction FCI.

All rights strictly reserved. Reproduction or issue to third parties in any form whatever is not permitted without written authority from the proprietor. Property of FCI. Copyright FCI.

FCI

<p>PRODUCT NUMBER</p> <p>51731-YYY-- NOTE: 3</p>	<p>CONNECTOR NOTES:</p> <p>1. PRODUCT NUMBER CODE FOR SELECT LOAD PART NUMBERS 51731 - YYY--</p> <p style="margin-left: 40px;">NO THIS SUFFIX: 100u"/2.54um SnPb ON PCB INTERFACE ADD THIS SUFFIX: 78u"/2.00um Sn OR 5u" Au ON PCB INTERFACE</p> <p style="margin-left: 40px;">SEQUENCE NUMBER (NOTE 12)</p> <p style="margin-left: 40px;">BASE NUMBER</p> <p>2. HOUSING MATERIAL: UL 94 V-0 GLASS FILLED HIGH TEMP THERMOPLASTIC. SIGNAL CONTACT MATERIAL: COPPER ALLOY POWER CONTACT MATERIAL: COPPER ALLOY</p> <p>3. PLATING:</p> <p style="margin-left: 40px;">51731-YYY Signal Pin: 30u"/0.76um Au OVER 50u"/1.27um Ni ON THE CONTACT AREA. AND 100u"/2.54um SnPb PLATING OVER 50u"/1.27um Ni ON THE TERMINATION SECTION. Power Pin: 30u"/0.76um Au OVER 50u"/1.27um Ni ON THE CONTACT AREA, AND 100u"/2.54um SnPb PLATING OVER 50u"/1.27um Ni ON THE TERMINATION SECTION.</p> <p style="margin-left: 40px;">51731-YYLFF Signal Pin: 30u"/0.76um Au OVER 50u"/1.27um Ni ON THE CONTACT AREA. AND 78u"/2.00um Sn PLATING OVER 50u"/1.27um Ni ON THE TERMINATION SECTION. Power Pin: 30u"/0.76um Au OVER 50u"/1.27um Ni ON THE CONTACT AREA, AND 78u"/2.00um Sn PLATING OVER 50u"/1.27um Ni ON THE TERMINATION SECTION.</p> <p>4. THIS PART NOT AVAILABLE WITH LEFT SIDE POWER CONTACTS.</p> <p>5. SIGNAL CONTACTS, 004 TO 148 AVAILABLE.</p> <p>6. RIGHT END POWER CONTACTS, 01 TO 20 AVAILABLE. MAXIMUM OF 20 POWER CONTACTS PER CONNECTOR.</p> <p>7. TAIL LENGTH: 0.135 ±0.020 [3.43 ±0.50] SOLDER TO BOARD</p> <p>8. RETENTION TO PCB OPTIONS: BOARD LOCK (REQUIRES Ø0.098 +0.002/-0.001 [2.49 +0.05/-0.03] THRU HOLE IN PCB). MOUNTING FOOT THICKNESS: 0.220 [5.59] OR Ø0.150 [3.81] THRU HOLE (REQUIRES Ø0.158±0.003 [4.01±0.07] THRU HOLE IN PCB). MOUNTING FOOT THICKNESS: 0.160 [4.06]</p> <p>9. MANUFACTURE'S NAME, P/N, AND DATE CODE TO APPEAR ON THIS SURFACE.</p> <p>10. THE MAXIMUM OVERALL LENGTH (DIM A) OF A PART IS 8.00 [203.2]</p> <p>11. PRODUCT SPECIFICATION GS-12-149</p> <p>12. REFERENCE 51697 FOR SELECT LOAD/FMLB WORKSHEET. SEE PRODUCT SPECIFIC DRAWING 51731-YYY FOR SELECT LOAD/FMLB PRODUCT INFORMATION.</p> <p>PCB NOTES:</p> <p>13. ALL DIMENSIONS ARE BASIC UNLESS OTHERWISE SPECIFIED.</p> <p>14. ALL THROUGH HOLES ARE LOCATED WITH A TRUE POSITION OF 0.004 [0.10]</p> <p>15. ALL HOLE DIAMETERS ARE FINISHED HOLE SIZE.</p> <p>16. Ø0.098 [2.49] THROUGH HOLES ARE UNPLATED</p> <p>17. Ø0.0453 ±0.0010 [1.151 ±0.025] DRILLED HOLES PLATED WITH 0.0003 [0.007] MIN SnPb OVER 0.001 [0.03] TO 0.003 [0.08] Cu PLATING TO ACHIEVE A Ø0.040±0.003 [1.02±0.07] HOLE.</p>
---	---

mat'l code		NOTE 2		tolerances unless otherwise specified		CUSTOMER		FCI www.fciconnect.com			
lir	ecr no.	dr	date	linear	.XX±.01/.X±.3	COPY		title			
D				angles	.XXX±.005/.XX±.13	projection		RIGHT ANGLE HEADER w/GUIDE PIN SIGNAL / POWER SPECIAL			
				dr	.XXX±.0020/.XXX±.051	 INCH / MM scale 1:1		product family			
				enrg	0°±2°			PwrBlade		code	
				chr	C. BAROT 06-12-00			size			
				appd	J. BROWN 06-12-00			dwg no		sheet	
					J. BROWN 06-12-00			A 51731		4	
sheet index	revision sheet										