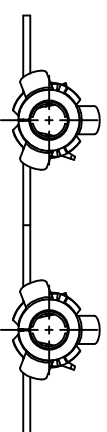
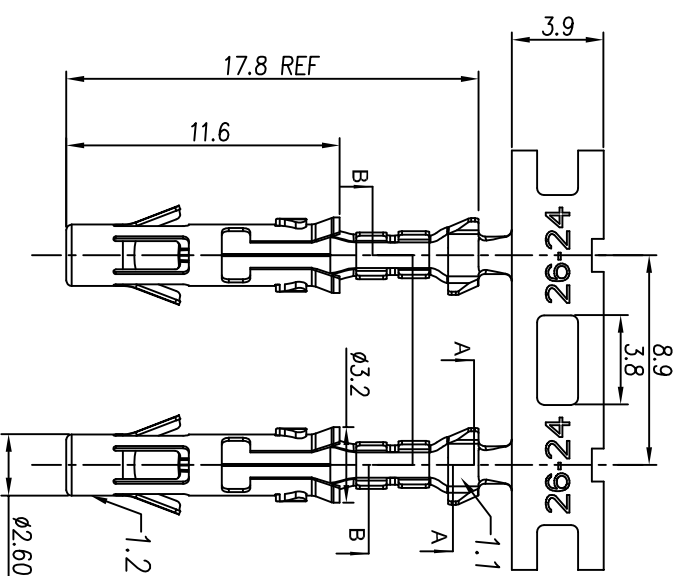
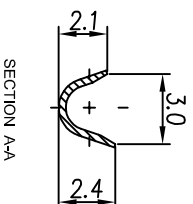
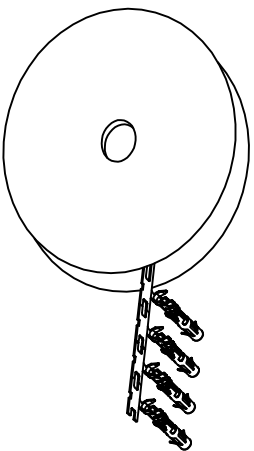


REVISIONS				
REV	ECO	DESCRIPTION	DATE	BY APPR
A1	-	RELEASED DRAWING	Jul-16-18	Flan Tommy



CONTACT ORIENTATION ON ROLL(3000PCS/COIL)

NOTES : (UNLESS OTHERWISE SPECIFIED)

- MATERIAL :
 - CONTACT BODY : COPPER ALLOY.
 - OUTER SPRING : STAINLESS STEEL.
- SPECIFICATIONS :
 - CURRENT RATING : 13A MAX.
 - TERMINATION TYPE : CRIMPING.
 - WIRE RANGE : 26~24AWG.
 - WIRE INSULATION DIA(MAX) : ϕ 2.1mm.
- RoHS COMPLIANT.
- ALL DIMENSIONS ARE FOR REFERENCE USE ONLY.
- AVAILABLE TOOLS :
 - HAND CRIMPER : MFX-3954.
 - CRIMP APPLICATOR : MFX-3957.
 - EXTRACTION TOOL : QXRT16.

P/N	CONTACT PLATING(MATING AREA)
SS24M2T	TIN PLATING OVER NICKEL.
SS24M2N	NICKEL PLATING OVER COPPERIZE.
SS24M2F	GOLD FLASH PLATING OVER NICKEL.
SS24M2G5	5 μ "GOLD PLATING OVER NICKEL.
SS24M2G10	10 μ "GOLD PLATING OVER NICKEL.
SS24M2G15	15 μ "GOLD PLATING OVER NICKEL.
SS24M2G30	30 μ "GOLD PLATING OVER NICKEL.

QUANTITY	PART NUMBER	DESCRIPTION	ITEM
MATERIALS LIST			
UNLESS OTHERWISE SPECIFIED 1) All dimensions are in millimeters. 2) Tolerances are as follows: 1 PL DEC 20.30 Fractions .1"=1/4 3 PL DEC 20.08 Angles .1°			
3) Note reference =		MATERIAL SPECIFICATIONS: CUSTOMER: Tommy Jul-16-18	
PROCESS SPECIFICATIONS: NEXT ASSY:		INSPECTION SPECIFICATIONS: SPECIFICATIONS AND PERFORMANCE DATA THE MANUFACTURING CORPORATION. NO RIGHTS OF REPRODUCTION ARE GRANTED. ALL MANUFACTURING VARIATIONS.	
SIZE TYPE B C-		DRAWING NO SS24M2XX	
SCALE: NONE		SHEET 1 OF 1	
Amphenol Sine Systems - www.amphenol-sine.com 44724 Morley Drive Clinton Township, MI 48036			
ECO-MATE SOCKET CONTACT, STAMPED, 26-24AWG, SIZE 16			