

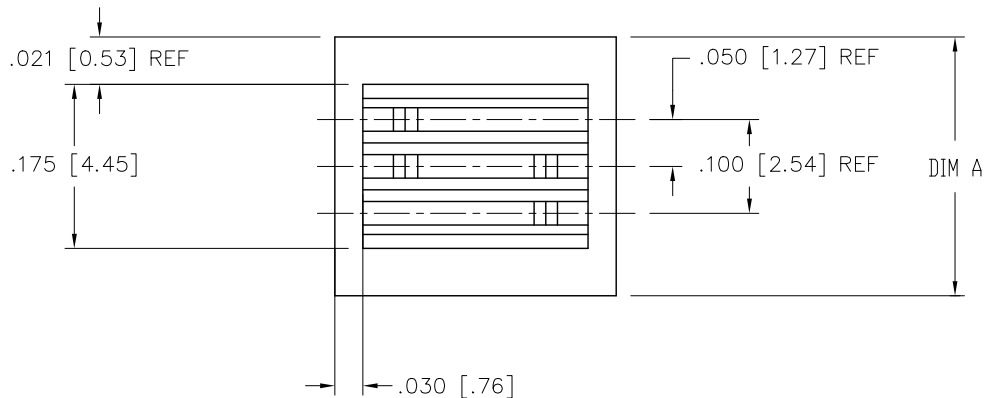
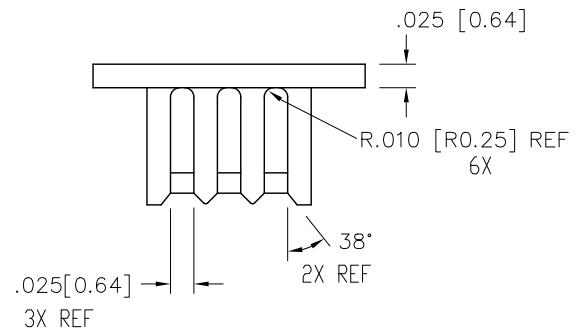
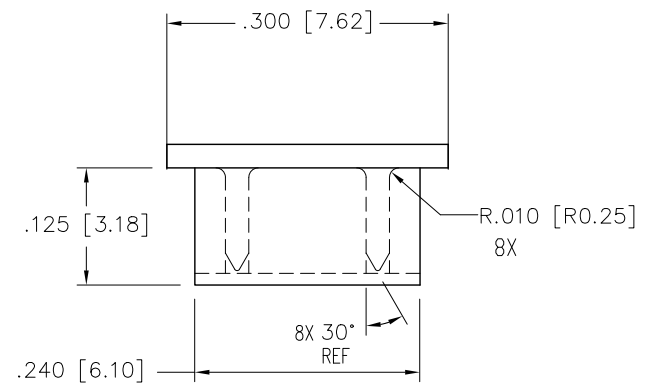
AFCI CONFIDENTIAL

Amphenol
FCI

This document is the property of and embodies CONFIDENTIAL and PROPRIETARY information of AFCI. No part of the information shown on this document may be used in any way or disclosed to others without the written consent of AFCI.

PRODUCT NO.	DIM A	COLOR
95730-001	INTERNAL USE ONLY	
95730-002	.2760/7.010	NATURAL
95730-003	.2170/5.512	BLACK

OBSOLETE



NOTES:

1. MATERIAL: 100% REGRIND PCT DR PA9T.
2. PACKAGE IN POLYBAGS.

mat'l. code				surface		tolerance		projection		product family	
				ISO 1302 ✓		ISO 406 ISO 1101				BERGSTIK	
ltr	ecn no	dr	date	tolerances unless otherwise specified						title	
A	V03-0128	HTB	1/29/03	linear	.X±0.3	MM				BERGSTIK® II HEADER	
B	V03-1069	PJ	10/2/03	angles	.XX±0.13					PICK-UP CAP	
C	M06-0271	AGS	7/15/06	0±2'	.XXX±0.051	scale 1:1				dwg no	
D	M07-0385	MHT	8/28/07	dr	T.BREWBAKER	1/29/03				sheet 1 of 1	
E	ELX-N-41277	MKX	6/24/21	chr	H.SUNDY	1/29/03				size	
				appd	H.SUNDY	1/29/03				95730	
										A3	
										type Product Customer Drawing	
sheet	revision	E									
index	sheet	1									