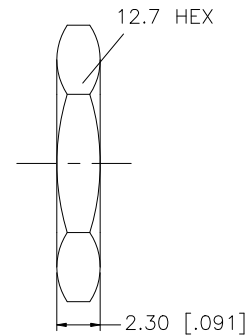
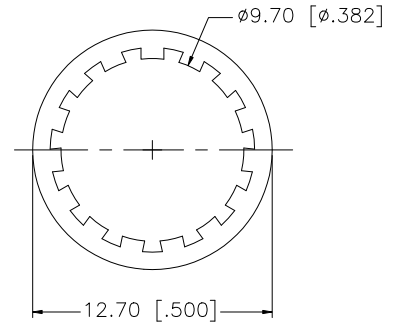
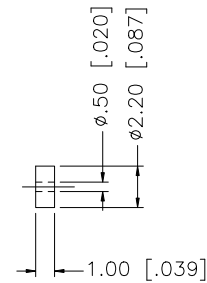
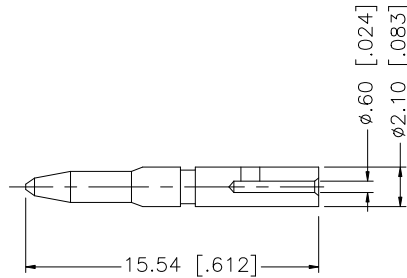
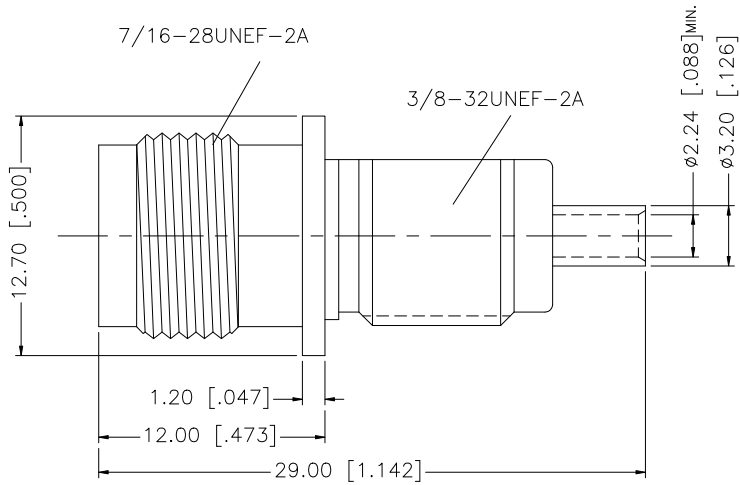
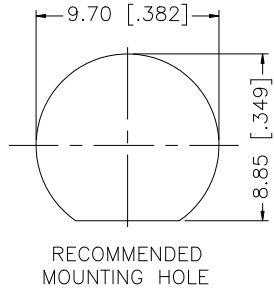
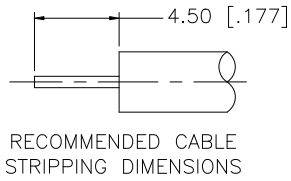


REV.	DATE	DESCRIPTION
NC	03/04/08	INITIAL RELEASE



UNLESS OTHERWISE SPECIFIED DIMENSIONS ARE IN MILLIMETERS. DIMENSIONS IN [] ARE IN INCHES AND FOR CUSTOMER REFERENCE ONLY.

UNLESS OTHERWISE SPECIFIED TOLERANCES FOR MILLIMETERS ARE:
0.5 - 8mm ± 0.20mm
8 - 30mm ± 0.40mm
30 - 120mm ± 0.50mm

UNLESS OTHERWISE SPECIFIED TOLERANCES FOR INCHES ARE:
.020 - .315 ± 0.007"
.315 - 1.180 ± 0.015"
1.180 - 4.724 ± 0.020"

DO NOT SCALE DRAWING

APPROVALS	DATE
DRAWN G.R.S.	03/04/08
CHECKED	
ISSUED	
SHEET 1 OF 1	
CAD FILE C:/122/122463RP-50.DWG	

Amphenol Connex

PART DESCRIPTION
TNC REVERSE POLARIZED BULKHEAD DIRECT SOLDER JACK (.085", .086" CABLE 50ohms)

PART NO. **122463RP-50**

DESCRIPTION	MATERIAL	FINISH	QTY	
8				
7				
6	INSULATOR	TEFLON	NATURAL	1
5	HEX NUT	BRASS	NICKEL	1
4	LOCK WASHER	BRASS	NICKEL	1
3	CONTACT PIN	BRASS	GOLD	1
2	INSULATOR	TEFLON	NATURAL	1
1	BODY	BRASS	NICKEL	1

DWG. NO.	REV.	SIZE	SCALE
122463RP-50.DWG	NC	A	NA