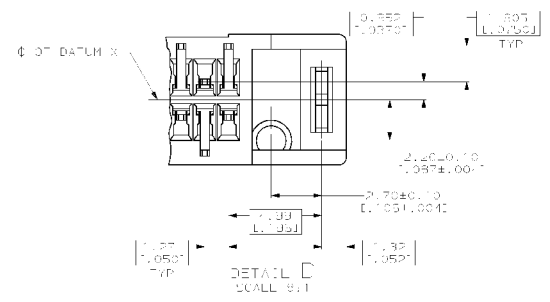
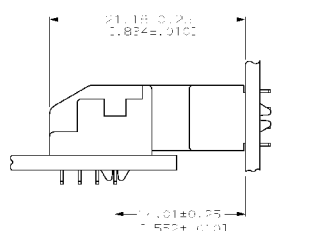
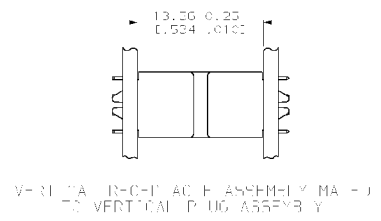
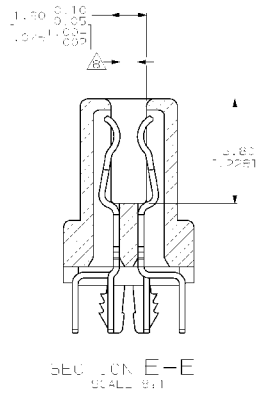
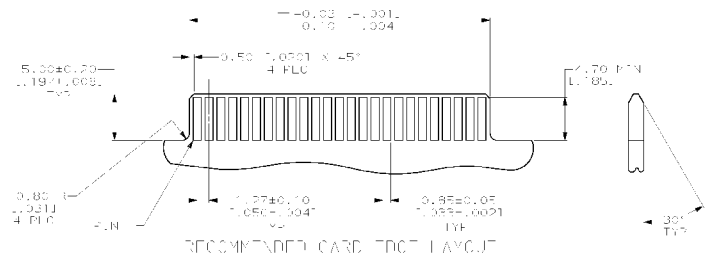


RECOMMENDED PCB BOARD MOUNTING DIMENSIONS COMMON STYLE

OR 20, 25, 30, 35, 40, 45, 50, 55, 60, 65, 70, 75, 80, 85, 90, 95, 100, 110, 120 AMP 200 POSITIONS ONLY



U.S. PAT. OFFICE DESIGN UNLESS SPECIFIED DIMENSIONS IN INCHES TOLERANCES UNLESS OTHERWISE SPECIFIED FINISH UNLESS OTHERWISE SPECIFIED MATERIAL UNLESS OTHERWISE SPECIFIED	OR 20-200 0107 010 15-4-89 010-85 AMP-10-2000 0107-3 0107-3	AMP REF. INCORPORATED AMP 100 P. AC. 50-100 V. VERTICAL CARD-TYPEBOARD, CHAMP. 1003, SER. 5-1
FINISH UNLESS OTHERWISE SPECIFIED	AMP-10-2000 0107-3 0107-3	0107-3 0107-3 0107-3