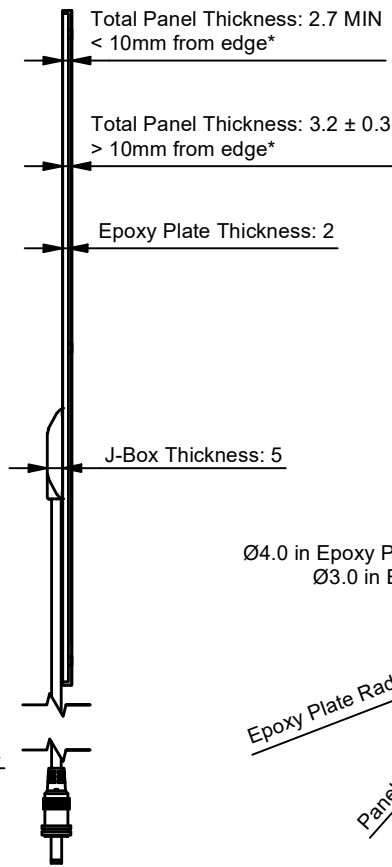
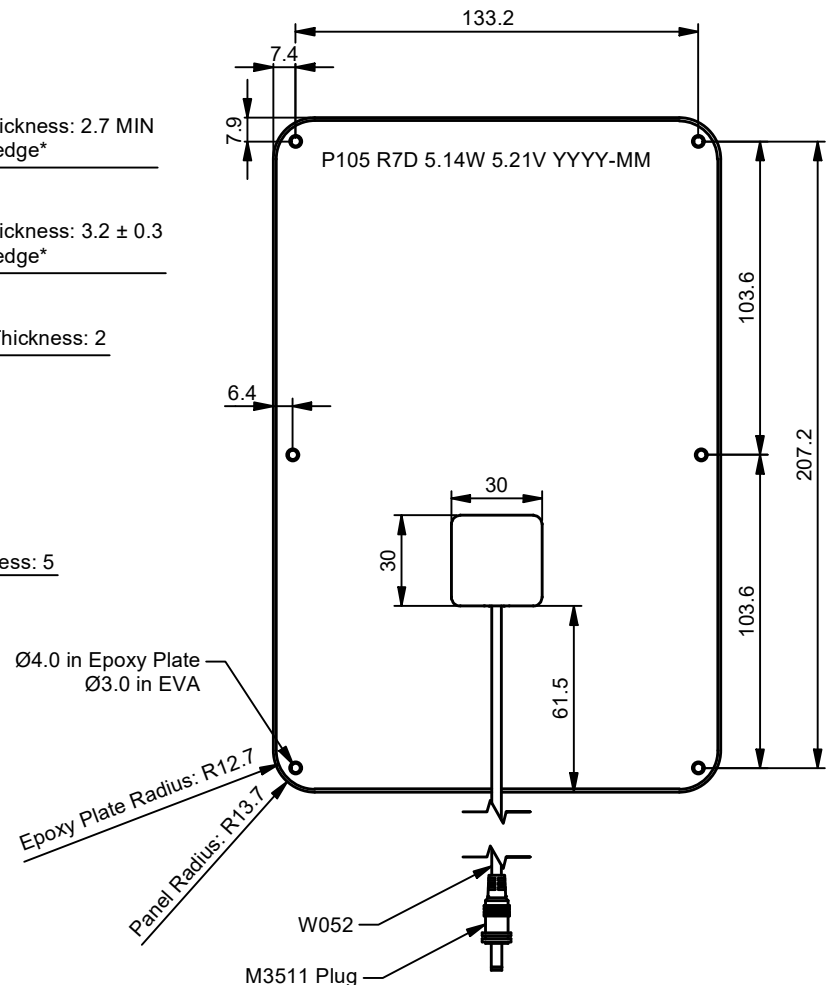


Front



Side



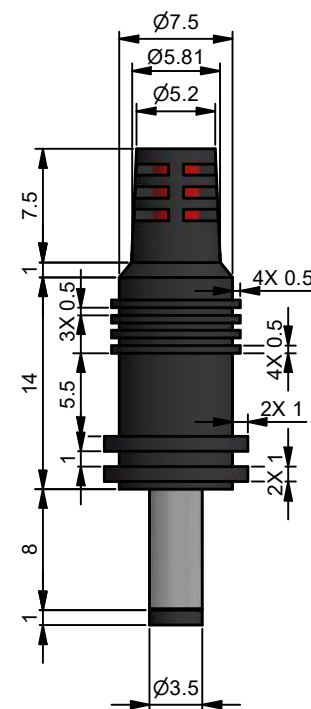
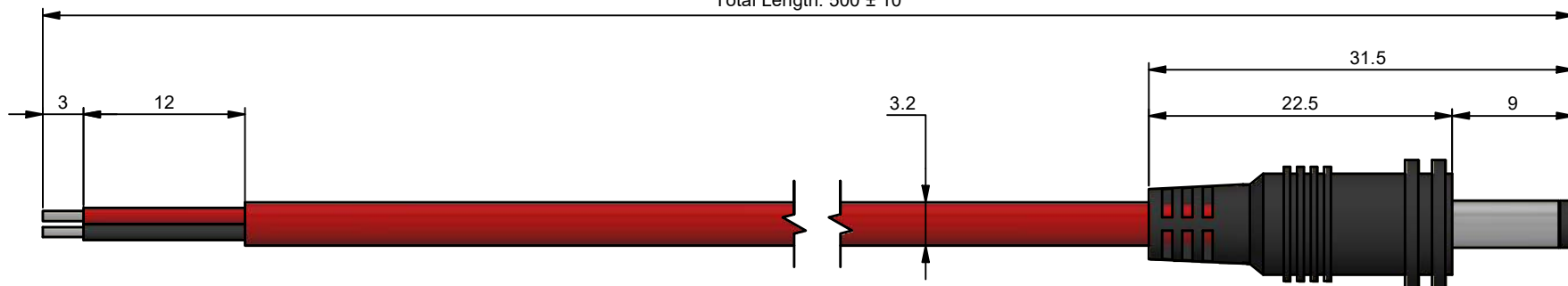
Back



Drawing Details		Construction		Power Specifications			
Panel Number:	P105	All Materials RoHS Compliant		Output Tolerance: ± 10% of Voltage and Current			
Revision:	R7D	Substrate:	Black Epoxy Plate	Solar Cell: SunPower Maxeon Gen II Kp2			
Engineer:	ME	Encapsulant:	EVA F806P	Nominal Efficiency: ≥ 21.9%		Cell Pieces: 10	
Checked By:	SM	Top Layer:	ETFE Minimal	Panel Electrical Ratings		Nominal	Expected
Date Created:	2018-09-11	Wire Number:	W052	Open-Circuit Voltage	Voc	6.61	5.94
Date Modified:	2020-07-30	Wire Length:	500 ± 10	Voltage at Max Power	Vp	5.21	4.69
Changes:	Cell Spec	Strain Relief	30 mm Junction Box	Short-Circuit Current	Isc	0.96	0.99
Tolerance:	± 0.3	Units:	mm	Current at Max Power	Ip	0.99	0.92
Scale:	1 : 2.5	Sheet:	1/3	Waterproof Rating:	IP67	Maximum Power	Wp
						5.14	4.30
							W

This document contains proprietary information and may not be copied or shared without the consent of Voltaic Systems

Total Length: 500 ± 10

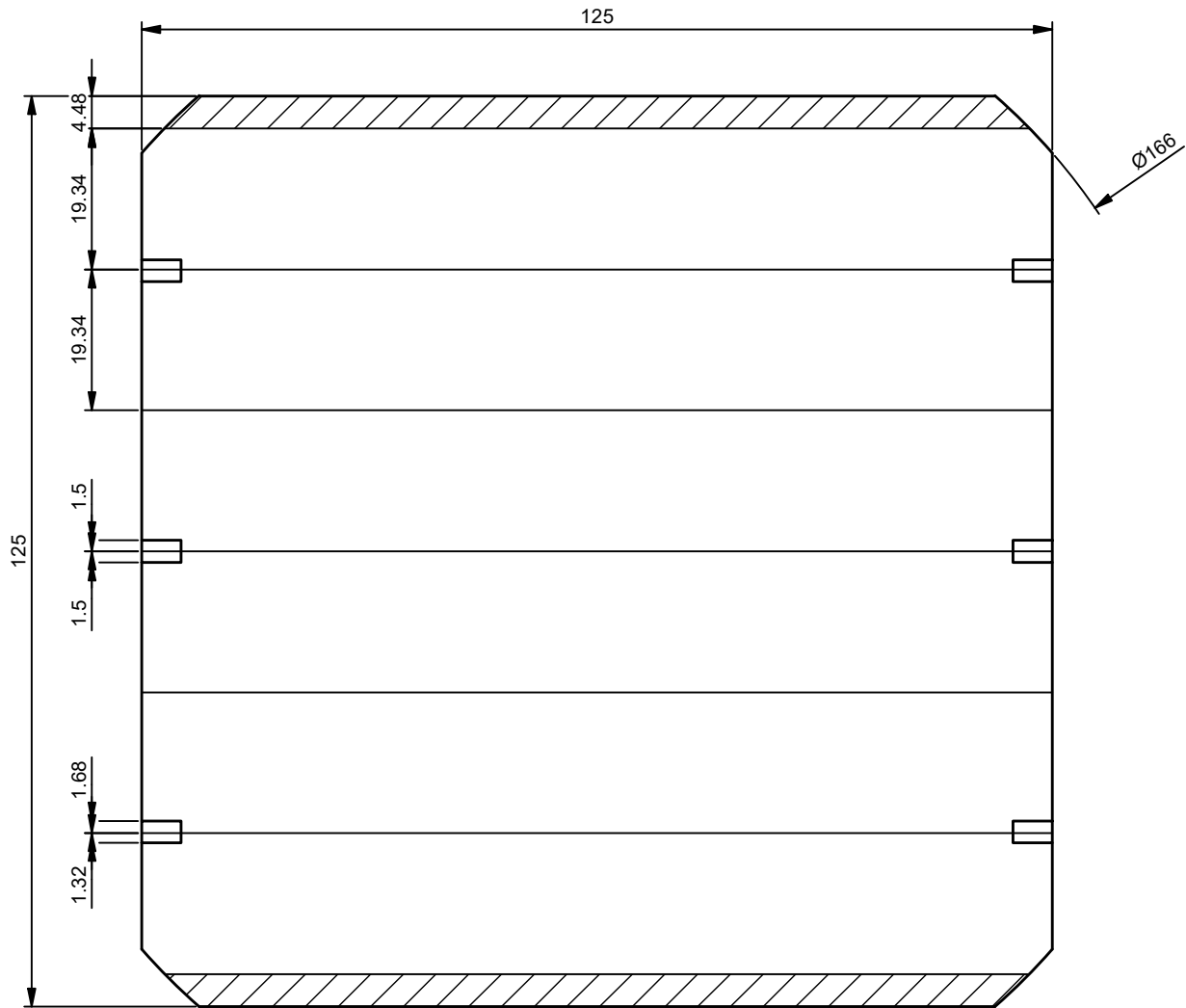


Drawing Details

Wire Number:	W052
Revision:	R1C
Engineer:	ME
Checked By:	SM
Date Created:	2016-10-19
Date Modified:	2020-04-07
Changes:	Stripped Length
Tolerance:	± 0.3
Units:	mm
Scale:	2
Sheet:	2/3

Wire Details

All Materials RoHS Compliant	
Length:	500 ± 10
Conductor Gauge:	22 AWG
Connector:	M3511
Crimp:	N/A
Jacket Color:	Red
Jacket Material:	PU
Insulator Colors:	Black and Red
Insulator Material:	PVC



Cell Cut Diagram

Cell:	SunPower Maxeon Gen II Kp2	
Cell Efficiency:	≥ 21.9%	
Panel Number:	P105	
Panel Revision:	R7D	
Panel Date:	2020-07-30	
Engineer:	ME	
Checked By:	SM	
Tolerance:	± 0.3	Units: mm
Scale:	1 : 1	Sheet: 3/3