

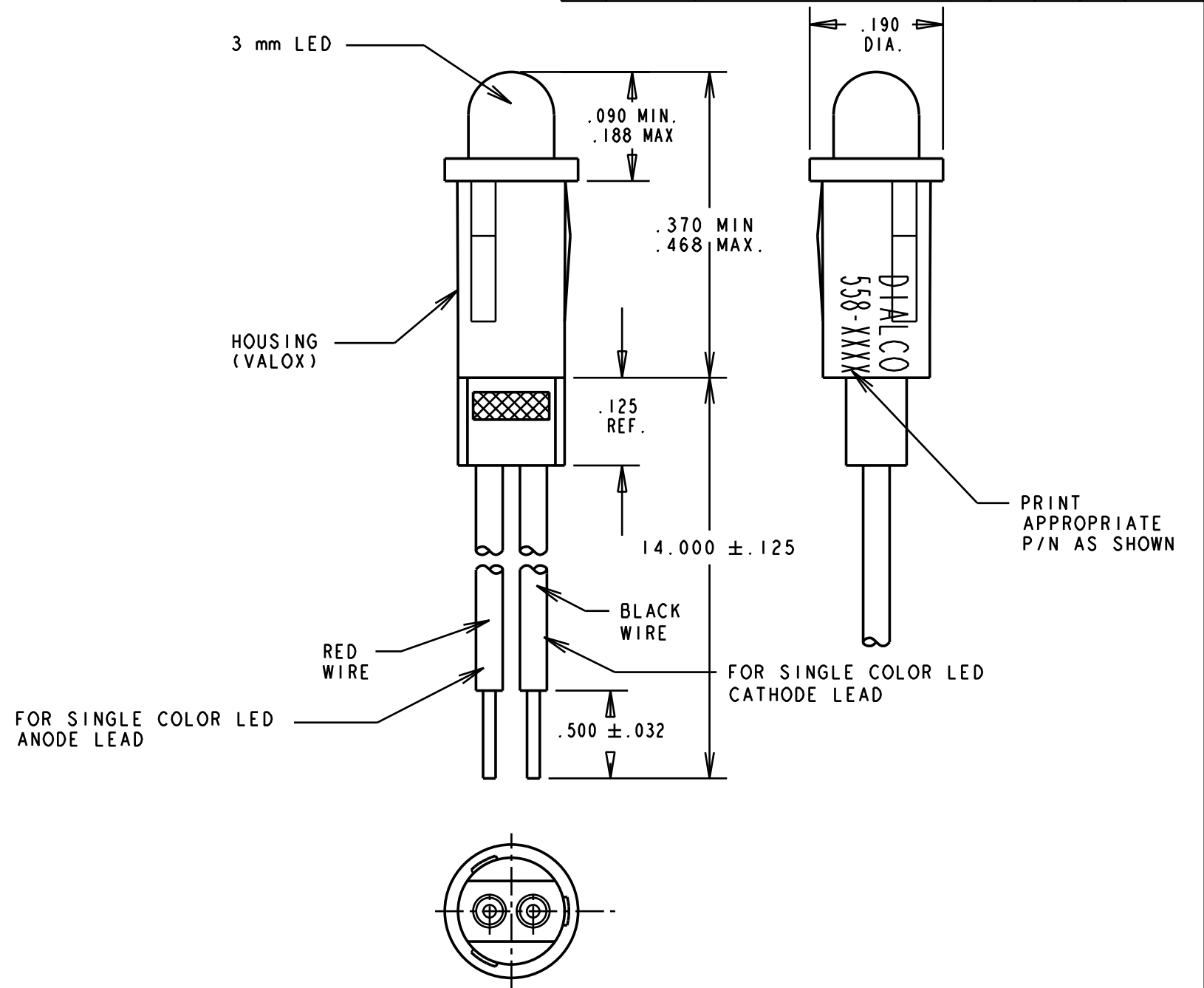
ASSEMBLY NO.	V _f (V)		I _f (mA)		LED EPOXY COLOR	LED CHIP	PEAK WAVELENGTH λ _p (nm)	LUM. INT. I _f (mcd)	
	TYP.	MAX.	TYP.	MAX.				MIN.	TYP.
558-0101-007	2.0	3.0	10*	20	RED DIFF.	GaAs	650		10.0
558-0102-007	5.0		10	15	RED DIFF.	GaAsP/GaP	635		4.0
558-0201-007	2.1	3.0	10*	25	GREEN DIFF.	GaP	563		16.0
558-0202-007	5.0		12	15	GREEN DIFF.	GaP	565		8.0
558-0301-007	2.1	3.0	10*	20	YELLOW DIFF.	GaAsP/GaP	585		6.3
558-0302-007	5.0		10	15	YELLOW DIFF.	GaAsP/GaP	583		8.0
558-0401-007	1.5	2.2	10*	25	ORANGE DIFF.	GaAsP/GaP	600		6.5
558-0501-007	2.1	2.8	20*	40	WATER CLEAR	GaP	565		70.0
558-0601-007	1.9	2.4	20*	50	WATER CLEAR	AlInGaP	594		200.0
558-0701-007	1.8	2.4	20*	40	WATER CLEAR	AlGaAs	660		170.0
558-0803-007	3.5	4.2	10*	20	WHITE DIFF.	GaN(BLUE)	428	6.3	13.0
558-1101-007	1.8	2.2	2**	7	RED DIFF.	GaAsP/GaP	635		1.8
558-1201-007	1.9	2.7	2**	7	YELLOW DIFF.	GaAsP/GaP	583		1.6
558-1301-007	1.8	2.2	2**	7	GREEN DIFF.	GaP	565		1.6
558-1501-007	2.1	2.8	10*	30	GREEN TINTED NON-DIFF.	GaP	565		70.0
558-1601-007	2.1	2.8	10*	20	YELLOW TINTED NON-DIFF.	GaAsP/GaP	585		19.0
558-1701-007	1.8	2.4	20*	40	RED TINTED NON-DIFF.	AlGaAs	660		135.0
558-1801-007	1.8	2.4	20*	40	RED DIFF.	AlGaAs	660		60.0
558-6003-007	3.5	4.0	20*	30	WATER CLEAR	GaN(BLUE)	464		460
558-6403-007	3.6	4.0	20*	30	WATER CLEAR	GaN(WHITE)	SEE X, Y COOR.		850

X, Y COLOR COORDINATES		
PART NUMBER	X	Y
558-6403-007	.31	.32

NOTES:

- * REQUIRES EXTERNAL RESISTOR.
** REQUIRES EXTERNAL RESISTOR, MAX. FORWARD D.C. CURRENT 7 mA.
- LEAD WIRES: AWG #26 PRE-TINNED, STRANDED.
- RECOMMENDED MOUNTING HOLE: .155/.158 DIA. ON PANELS
.031 THRU .062 THICK.
- * 4. ATTENTION: OBSERVE PRECAUTIONS FOR HANDLING ELECTROSTATIC SENSITIVE DEVICES.
FOR EYE SAFETY DO NOT STARE DIRECTLY INTO THE LIGHT BEAM OF THESE LED DEVICES AT CLOSE RANGE.
- DIALIGHT PART NUMBERS: 558-XXXX-007.

REV.	ECN NO.	REVISIONS	DRN.	CKD.	APP.	DATE
C	—	ADDED P/N 558-0803-007, NOTE 4 AND 5. REDRAWN TO PRO-E.	DC	AM	NO	12-17-01
D	—	ADDED P/N 558-6003-007 & 558-6403-007	JAV			



THIS DRAWING AND THE CONTENTS HEREIN ARE CONFIDENTIAL AND THE SOLE PROPERTY OF DIALIGHT. REPRODUCTION OF THIS DRAWING OR CONSTRUCTION OF ANY PARTS WITHIN THIS DRAWING ARE FORBIDDEN WITHOUT THE WRITTEN CONSENT OF DIALIGHT.		
SCALE: NONE	DRAWING NUMBER	REV
ALL DIM'S IN: INCHES (MM)	C-16266	D
TOLERANCES: UNLESS OTHERWISE SPECIFIED	TITLE	
FRACTIONS: ±1/64	.156" MOUNTING HOLE, SNAP-IN PMI	
DECIMALS (.XX): ±.020	MATERIAL	
DECIMALS (.XXX): ±.015		
ANGLES: ±3°		
FINISH:		
FSCM 83330	Dialight	1501 ROUTE 34 SOUTH FARMINGDALE, NJ 07727
	SHEET OF	FAMILY TABLE: