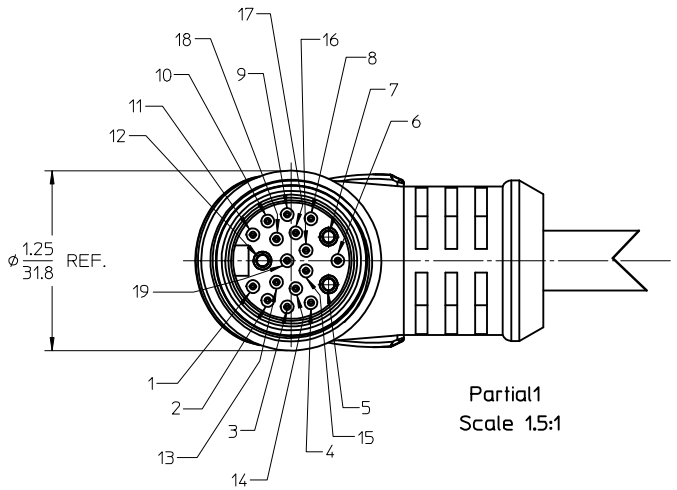


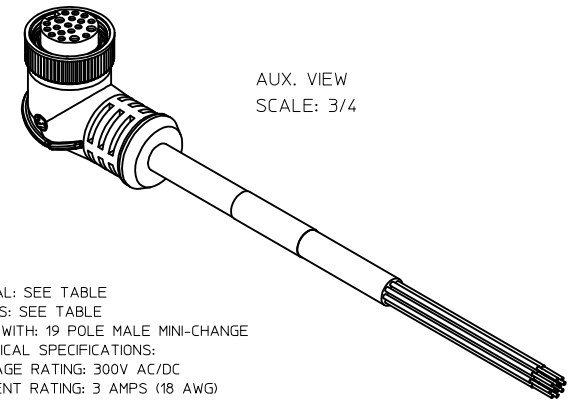
MATERIAL NO.	ENGINEERING NO.	LENGTH
1300080312	303001B20M050	16' 5" +6.50-0 (5M +16.5cm-0)
1300080313	303001B20M100	32' 10" +12.50-0 (10M +31.8cm-0)



Partial1
Scale 1.5:1

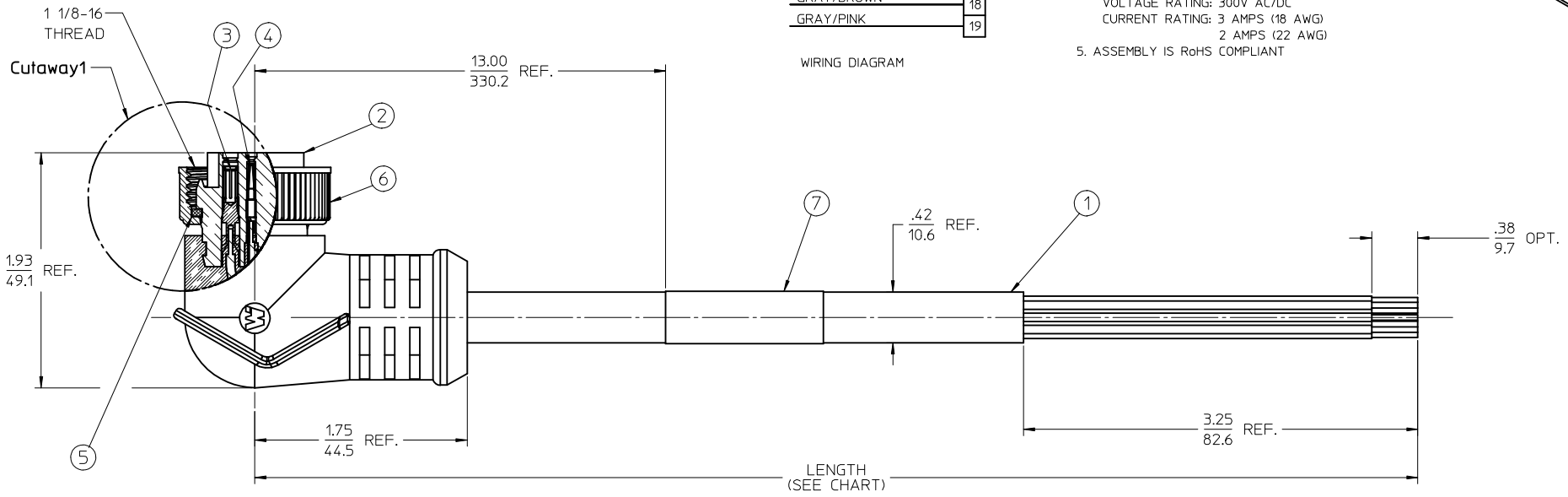
VIOLET	P1
RED	2
GRAY	3
RED/BLUE	4
BLUE (-VE)	5
GREEN	6
BROWN (+VE)	7
WHITE/GREEN	8
WHITE/YELLOW	9
WHITE/GRAY	10
BLACK	11
YELLOW/GREEN (GRD)	12
YELLOW/BROWN	13
BROWN/GREEN	14
WHITE	15
YELLOW	16
PINK	17
GRAY/BROWN	18
GRAY/PINK	19

WIRING DIAGRAM



AUX. VIEW
SCALE: 3/4

- NOTES:
1. MATERIAL: SEE TABLE
 2. FINISHES: SEE TABLE
 3. MATES WITH: 19 POLE MALE MINI-CHANGE
 4. ELECTRICAL SPECIFICATIONS:
VOLTAGE RATING: 300V AC/DC
CURRENT RATING: 3 AMPS (18 AWG)
2 AMPS (22 AWG)
 5. ASSEMBLY IS RoHS COMPLIANT



LENGTH
(SEE CHART)

7	1	OVERMOLD	PVC	YELLOW
6	1	COUPLING NUT, C-SIZE	DIE CAST ZINC	BLACK
5	1	FRICITION RING, C-SIZE	NYLON	WHITE
4	16	FEMALE CONTACT	Cu ALLOY	GOLD PLATED
3	3	FEMALE CONTACT/SLEEVE ASSY	BRASS/SS	GOLD PLATED
2	2	INSERT, FEMALE, 19 POLE	PVC	YELLOW
1	1	CABLE, 3 X 0.75mm ² (18 AWG) + 16 X 0.34mm ² (22 AWG)	PUR OUTER JACKET	BLACK
ITEM	QTY.	DESCRIPTION	MATERIAL	FINISH

RELEASED
EC NO: MNAZ010-0046
DRWINSTONE 2009/07/21
CHKD:
APPR: J. MURPHY 2009/08/10

QUALITY SYMBOLS
▽=0
▽=0

GENERAL TOLERANCES (UNLESS SPECIFIED)

	mm	INCH
4 PLACES	± .005	± .0005
3 PLACES	± .002	± .0002
2 PLACES	± .001	± .0001
1 PLACE	± 0.3	± .012

ANGULAR ±1/2°

DRAFT WHERE APPLICABLE
MUST REMAIN
WITHIN DIMENSIONS

DIMENSION STYLE
IN/MM

DRAWN BY DATE
R. STONE 2009/07/20

CHECKED BY DATE
B. WOODMAN 2009/07/22

APPROVED BY DATE
J. MURPHY 2009/07/25

MATERIAL NO.
SEE CHART

SIZE
C

SCALE 1.5:1

DESIGN UNITS INCH

THIRD ANGLE PROJECTION

TITLE
MINI-CHANGE 19 POLE
FEMALE, STRAIGHT
CABLE ASSEMBLY

MOLEX MOLEX INCORPORATED

DOCUMENT NO. SD-130008-008

SHEET NO. 1 OF 1

THIS DRAWING CONTAINS INFORMATION THAT IS PROPRIETARY TO MOLEX INCORPORATED AND SHOULD NOT BE USED WITHOUT WRITTEN PERMISSION