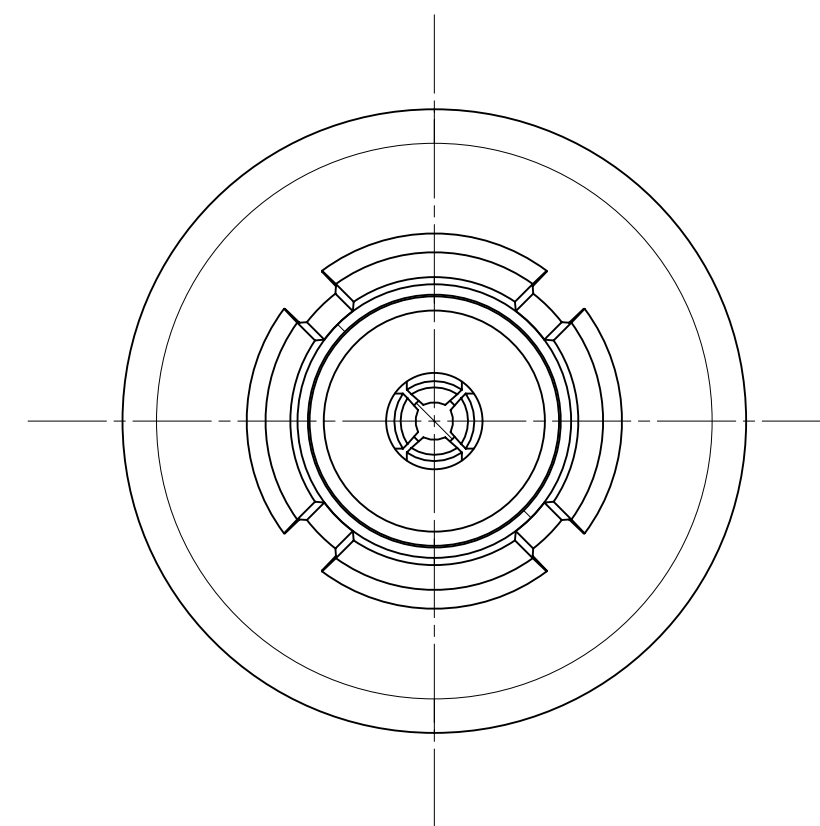
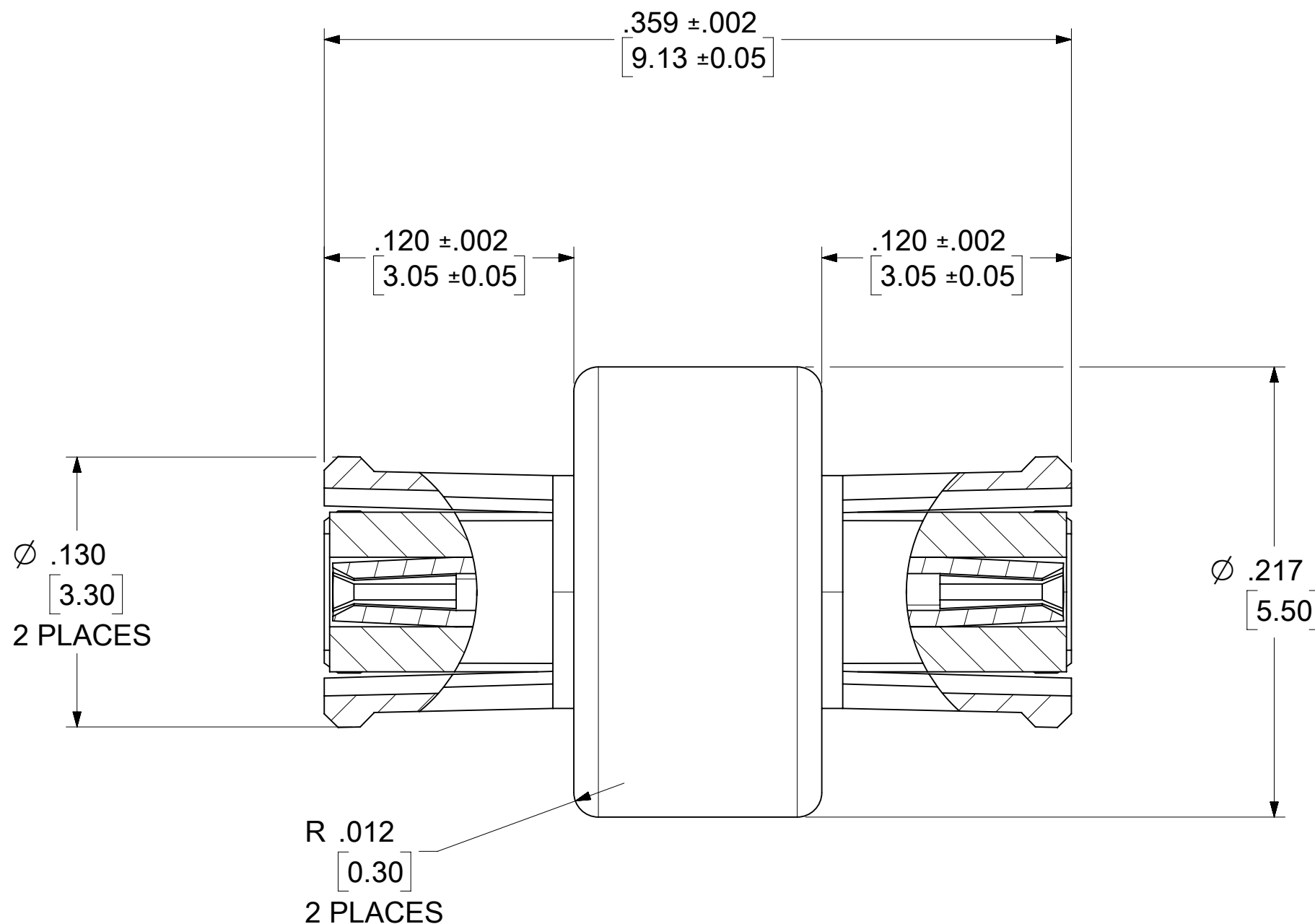
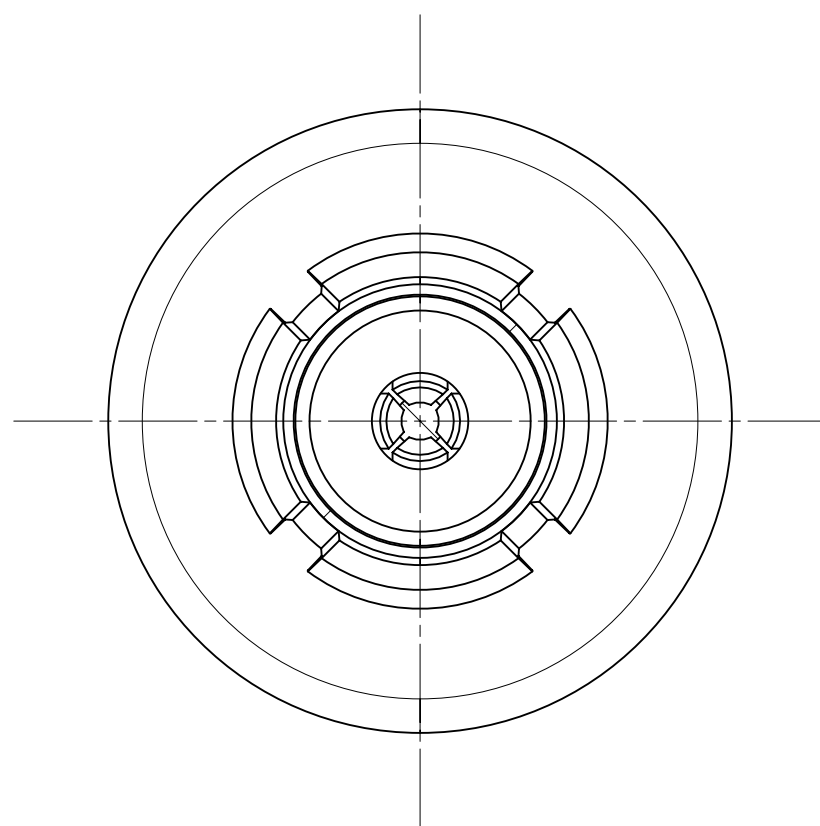
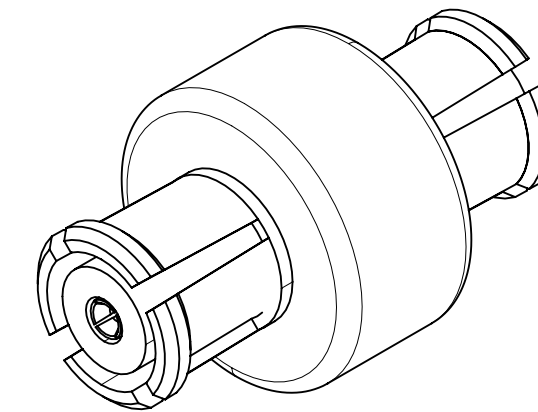


MATERIALS AND FINISHES:

BODY BERYLLIUM COPPER  
PLATED GOLD 30 MICRINCH MIN

CONTACT BERYLLIUM COPPER  
PLATED GOLD 30 MICRINCH MIN

INSULATOR TEFLON



LABEL FORMAT FOR  
73406-0221

PART NUMBER: 73406-0220  
ORDER NUMBER: 73406-0221  
MOLEX  
DATE: YYWW

73406-0221	73406-0220 ONE PER BAG	895420470
73406-0220	73406-0220 TRAY	895420040
PART NO.	DESCRIPTION	PACKING SPEC

MIL-STD-348A, FIG. 326.1	INTERFACE
SPECIFICATION	DESCRIPTION

FUNCTIONAL SYMBOLS	THIS DRAWING CONTAINS INFORMATION THAT IS PROPRIETARY TO MOLEX ELECTRONIC TECHNOLOGIES, LLC AND SHOULD NOT BE USED WITHOUT WRITTEN PERMISSION										
FA = 0	DIMENSION UNITS	SCALE	CURRENT REV DESC: ADD 73406-0221 PER EWR# 15321-C								<p>SMP JACK TO SMP JACK BULLET SMP-BULLET</p> <p>PRODUCT CUSTOMER DRAWING</p>
EC = 0	INCH/MM	NTS	GENERAL TOLERANCES (UNLESS SPECIFIED)								
EP = 0	ANGULAR TOL ± 2.0°		4 PLACES ±		EC NO: 718723		2022/08/19		DRWN: ELIN		
DIVISIONAL SYMBOLS	3 PLACES ±		2 PLACES ±		2022/08/30		2022/08/30		CHK'D: YCHENG		
1 PLACE ±			0 PLACES ±		INITIAL REVISION:		2012/02/01		2012/02/17		
DRAFT WHERE APPLICABLE MUST REMAIN WITHIN DIMENSIONS			THIRD ANGLE PROJECTION		DRAWING		SERIES		MATERIAL NUMBER		
			C-SIZE		73406		SEE TABLE		CUSTOMER		
					GENERAL MARKET		SHEET NUMBER		1 OF 1		

DOCUMENT NUMBER	DOC TYPE	DOC PART	REVISION
SD-73406-022	PSD	001	A1

DOCUMENT STATUS	P1	RELEASE DATE	2022/08/30	02:55:03
-----------------	----	--------------	------------	----------