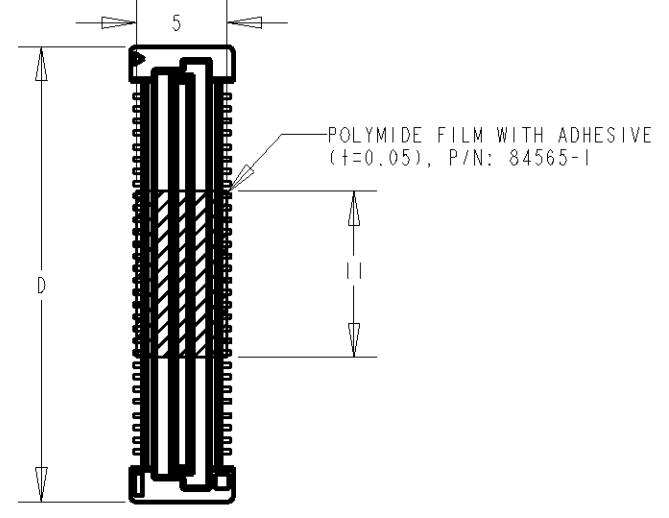
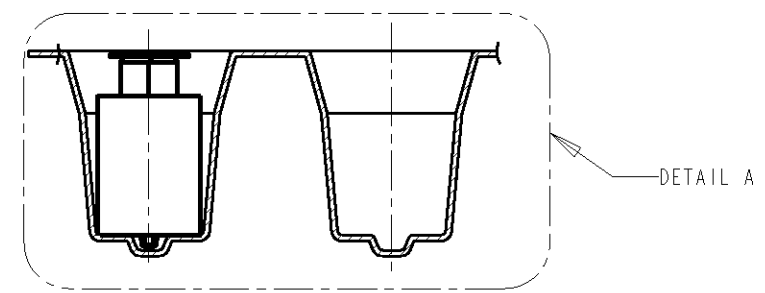
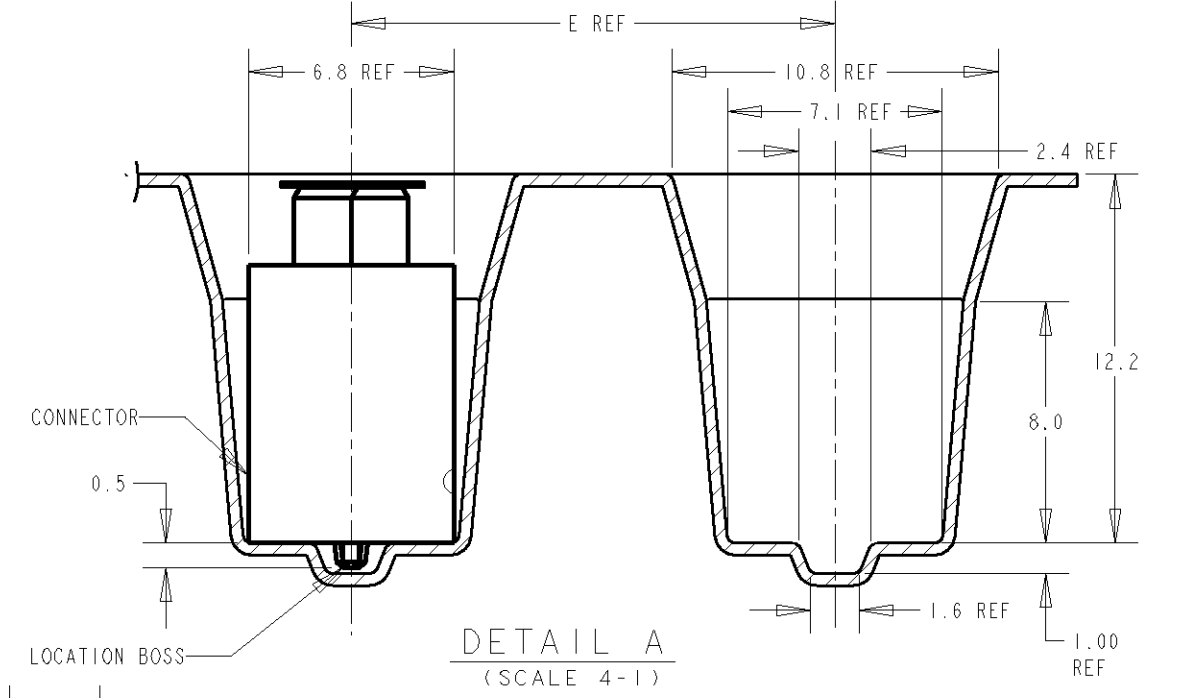
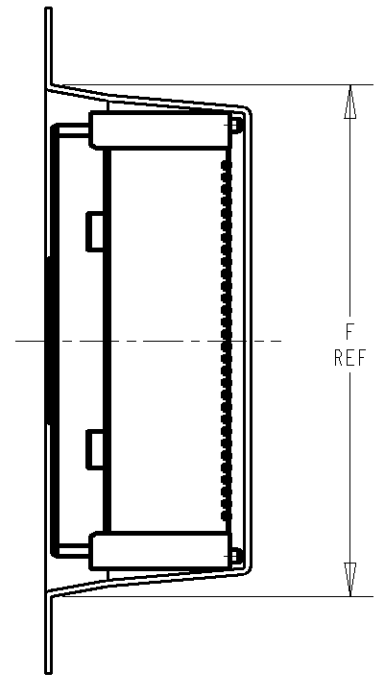
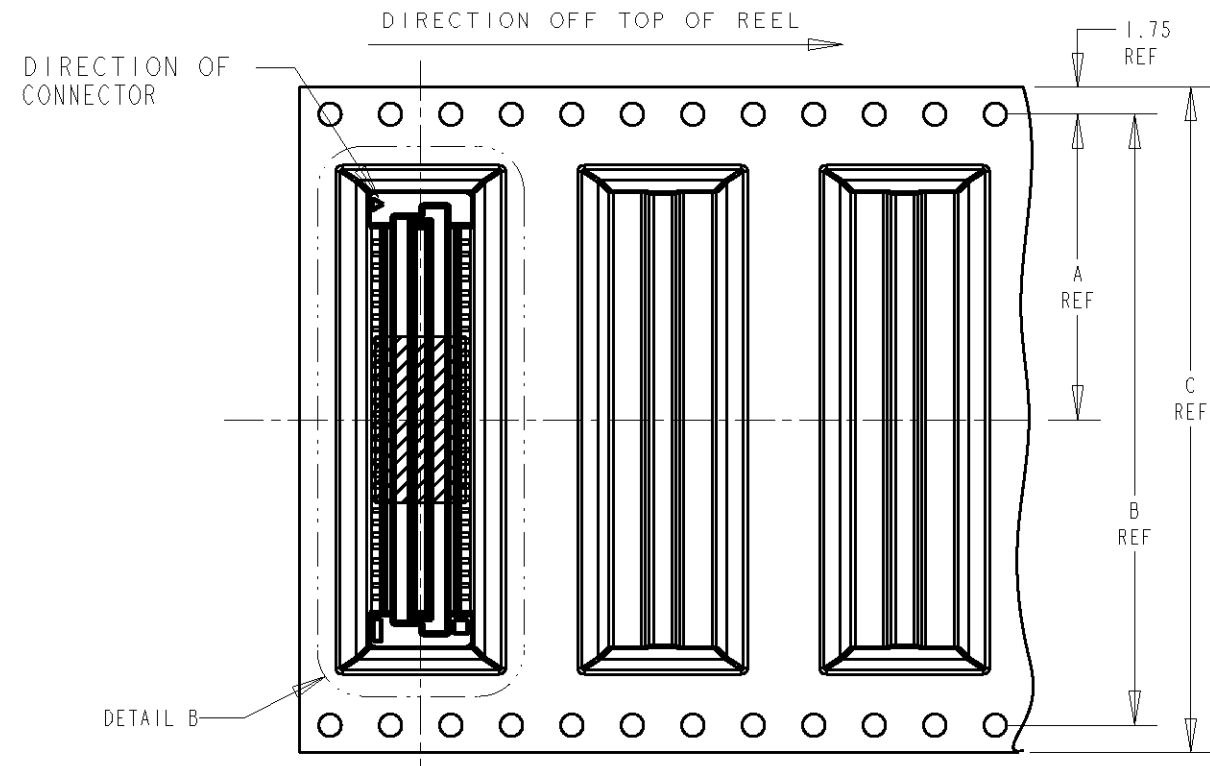
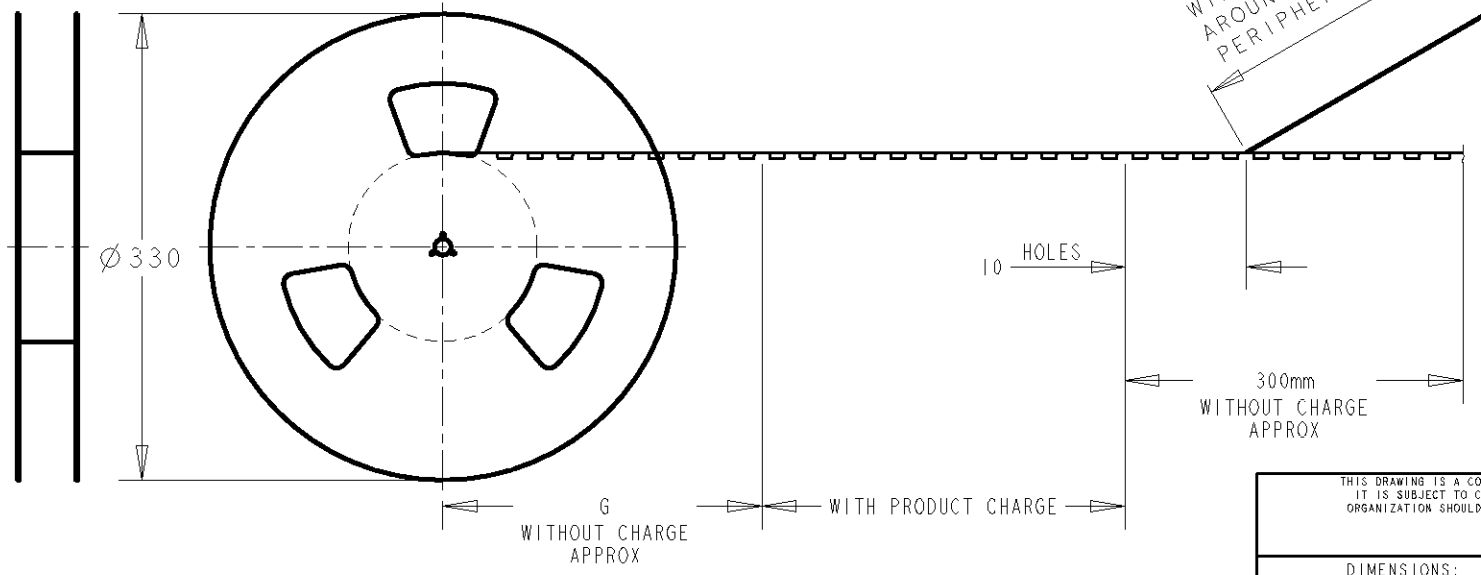


THIS DRAWING IS UNPUBLISHED. RELEASED FOR PUBLICATION .19
 © COPYRIGHT 19 BY AMP INCORPORATED. ALL RIGHTS RESERVED.

LOC		DIST		REVISIONS			
P	LTR	DESCRIPTION	DATE	DWN	APVD		
DY	-	O4	REVISED PER ECO-09-026495	28NOV09	KK	AEG	



- NOTES:
- MATERIAL:
HOUSING: HIGH TEMP THERMOPLASTICS UL94-V0
CONTACTS: COPPER ALLOY
 - FINISH:
UNDERPLATE: 1.3um MIN NICKEL
MATING AREA: 0.2um MIN Au
SOLDERTAIL: 2.0um MIN MATTE TIN
 - FINISH:
UNDERPLATE: 1.3um MIN NICKEL
MATING AREA: 0.76um MIN Au
SOLDERTAIL: 2.0um MIN MATTE TIN
 - OBsolete PARTS: OBsolete CIS STREAMLINING PER D.RENAUD/D.SINISI



REMARKS	QTY	HEIGHT	TYPE	G	F	E	D	C	B	A	CONNECTOR P/N	POS	PART NO.
3	200	13H	300	25.8	16	21.8	44	40.4	20.2	5-6123212-1	40	2-5084968-1	
	200	13H	300	57.8	16	53.8	72	68.4	34.2	5-5179010-5	120	0-5084968-5	
2	200	13H	300	49.8	16	45.8	72	68.4	34.2	5-5179010-4	100	0-5084968-4	
4	200	13H	300	33.8	16	29.8	44	40.4	20.2	5-5179010-2	60	0-5084968-2	
	200	13H	300	25.8	16	21.8	44	40.4	20.2	5-5179010-1	40	0-5084968-1	

THIS DRAWING IS A CONTROLLED DOCUMENT FOR AMP INCORPORATED. IT IS SUBJECT TO CHANGE AND THE CONTROLLING ENGINEERING ORGANIZATION SHOULD BE CONTACTED FOR THE LATEST REVISION.		DWN YJ SEE 16SEP2005 CHK SF LEONG APVD SF LEONG		tyco Tyco Electronics Electronics Singapore Pte. Ltd.	
DIMENSIONS: mm 		TOLERANCES UNLESS OTHERWISE SPECIFIED: 0 PLC ± 1 PLC ±0.3 2 PLC ±0.25 3 PLC ±0.2 4 PLC ± ANGLES ±3°		NAME RECEPTACLE ASSY (0.5 BOSS LENGTH, 13mm HEIGHT, LF) WITH POLYIMIDE FILM FOR FH 0.8 B-T-B CONN. ON TAPING	
MATERIAL 1 FINISH 2, 3		PRODUCT SPEC 108-5390 APPLICATION SPEC 114-5254 WEIGHT -		SIZE A3 CAGE CODE 00779 DRAWING NO C-5084968	
CUSTOMER DRAWING				SCALE 2:1 SHEET 1 OF 1 REV O4	