



Since 1959

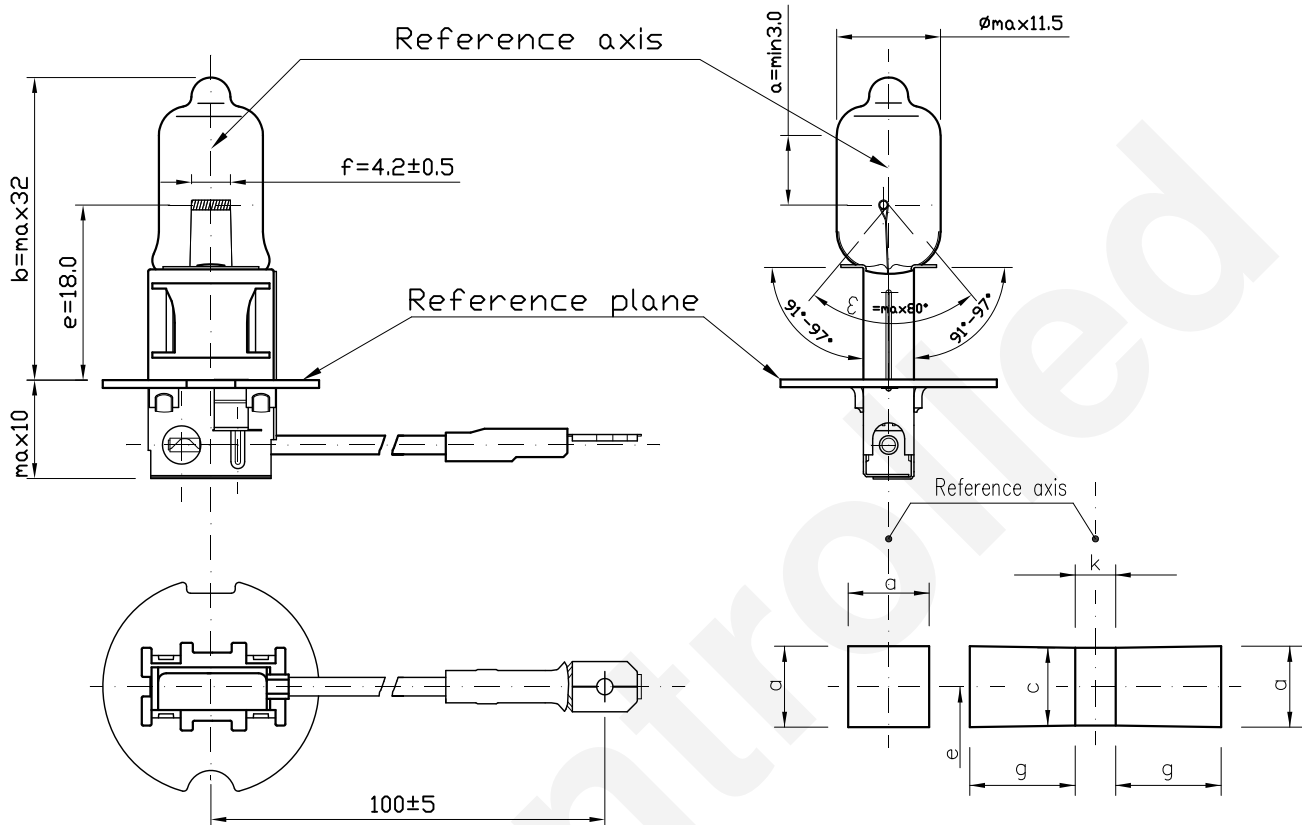
Product Information Sheet

H3 12V 25W

H3 25W

2014. 03. 26 NEW

OLD



d	0.9 nom
e	18
f	3.5 ±0.5

a	c	k	g
1.8d	1.6d	1	2.60

Halogen bulb  
H3 12V 25W Rally  
Cap: <sup>1)</sup> PK22s  
Type: RA  
ECE R37 none  
FMVSS108 none  
Bulb mat,: Quartz glass  
Made in korea / INCHEON

1) according to IEC 61-1 sheet 7004-47

Technical data	
Test voltage	13.2V
Power	30W max.
Luminous flux	500lm ±15%
Lumen maintenance	90 % min
Rated life:	at 13.2V
-characteristic Tc	400 h min
-B3	150 h min
Maximum operating temperature:	1: bulb 800°C max 2: pinch 400°C max